

10W 9913

Fiat Ducato / Citroen Jumper / Peugeot Boxer Md. 2014

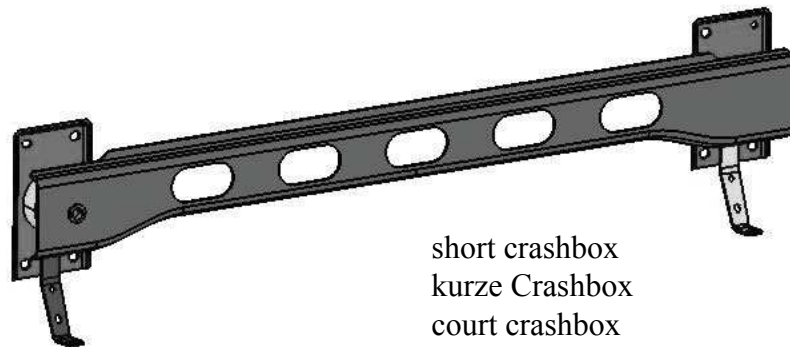
Adapter for 10W4413/10W4513 with short crashbox

Adapterkit für 10W4413/10W4513 mit kurzer Crashbox

Adaptateur pour 10W4413/10W4513 avec courte crashbox



10W4413 / 10W4513
not include

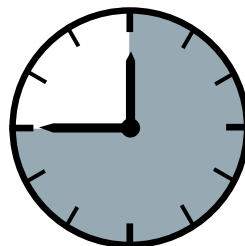


short crashbox
kurze Crashbox
court crashbox



ASSEMBLY INSTRUCTION

Montageanleitung • Instructions de montage

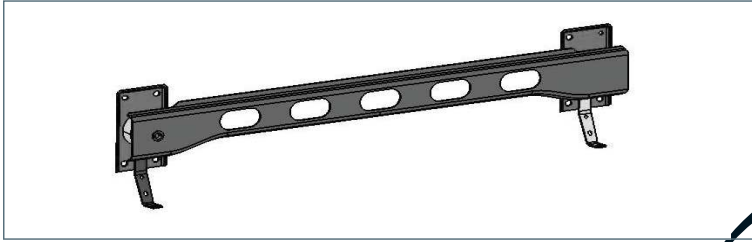


45 Minuten

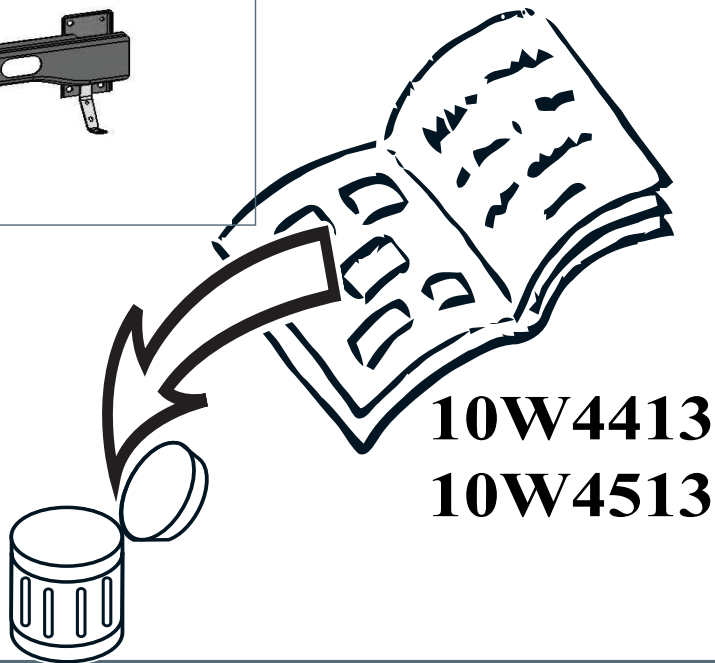
Artikel-Nr:
10W9913

Revision 4: 31.05.2016


www.antec-online.de

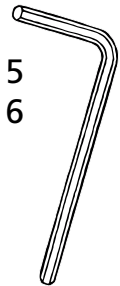


short crashbox
kurze Crashbox
court crashbox

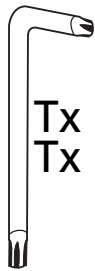


10W4413

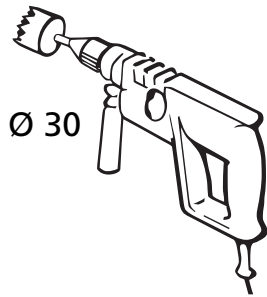
10W4513



5
6



Tx 10
Tx 20



Ø 30

13



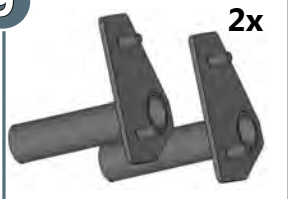
M6:
10 Nm
M8 (A2):
21,4 Nm
M8:
25 Nm



10W9913

10W5042.1R/10W5042.2L

9



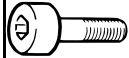


2x

10W5040.1R/10W5040.2L

10



2x

q		M8x50; DIN 912 Zn	2x
b		Ø 8; DIN 127 Zn	2x
r		Ø 8,4; DIN 125 Zn	2x

005523.1

11



2x

12

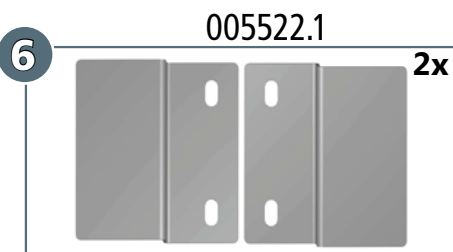
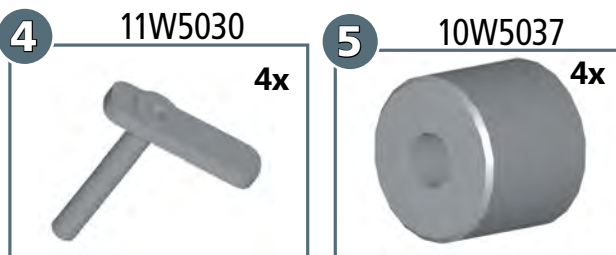
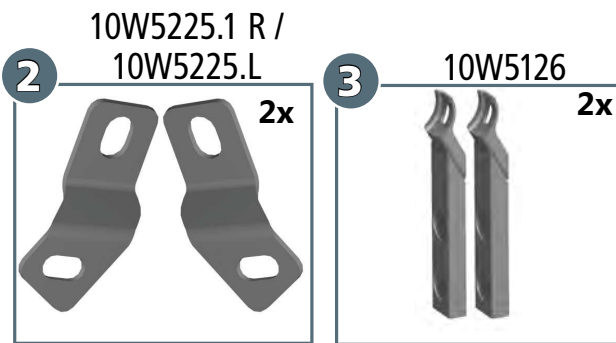
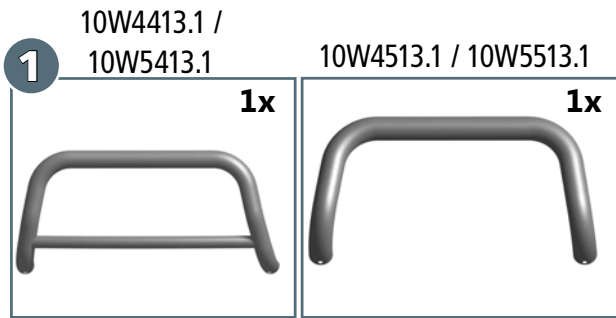
10W5130



4x

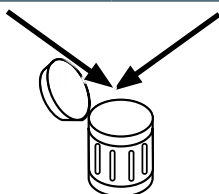
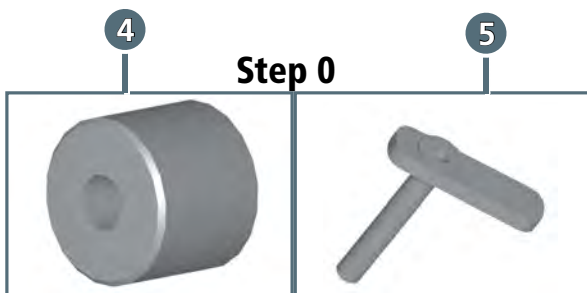
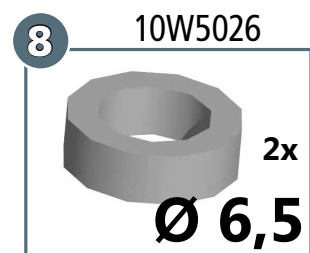
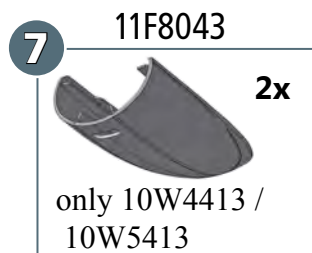
Revision 4: 31.05.2016

10W4413/10W5413 10W4513/10W5513 not include

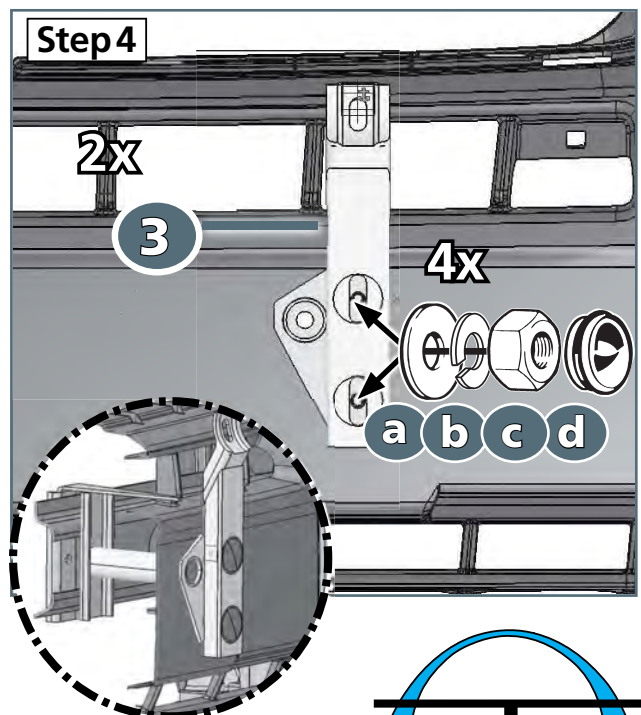
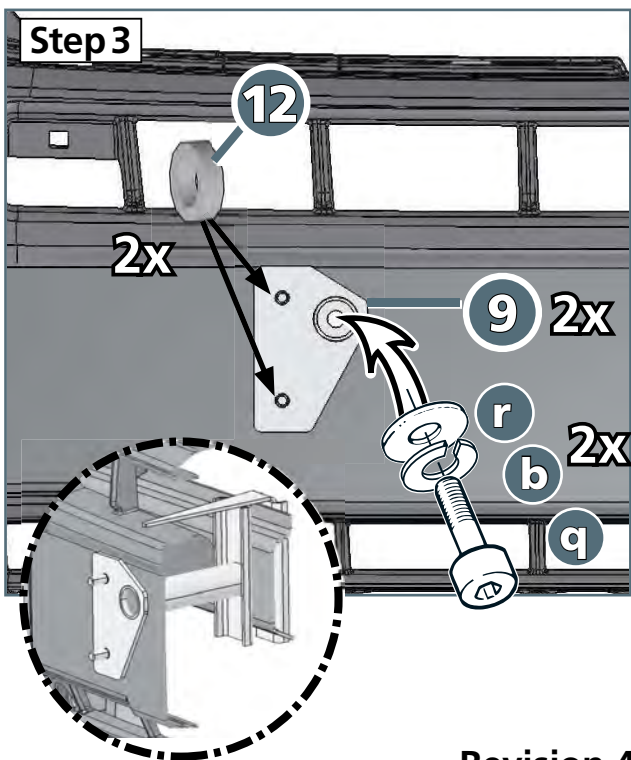
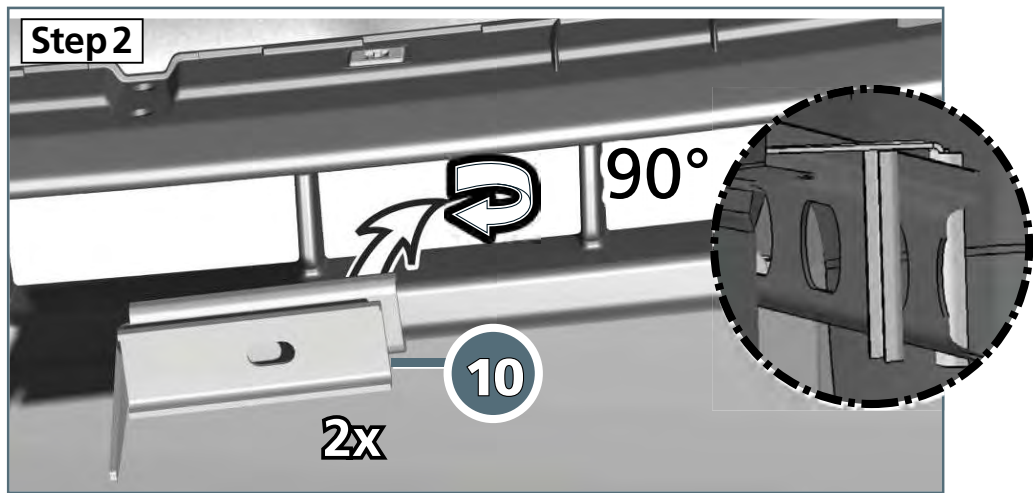
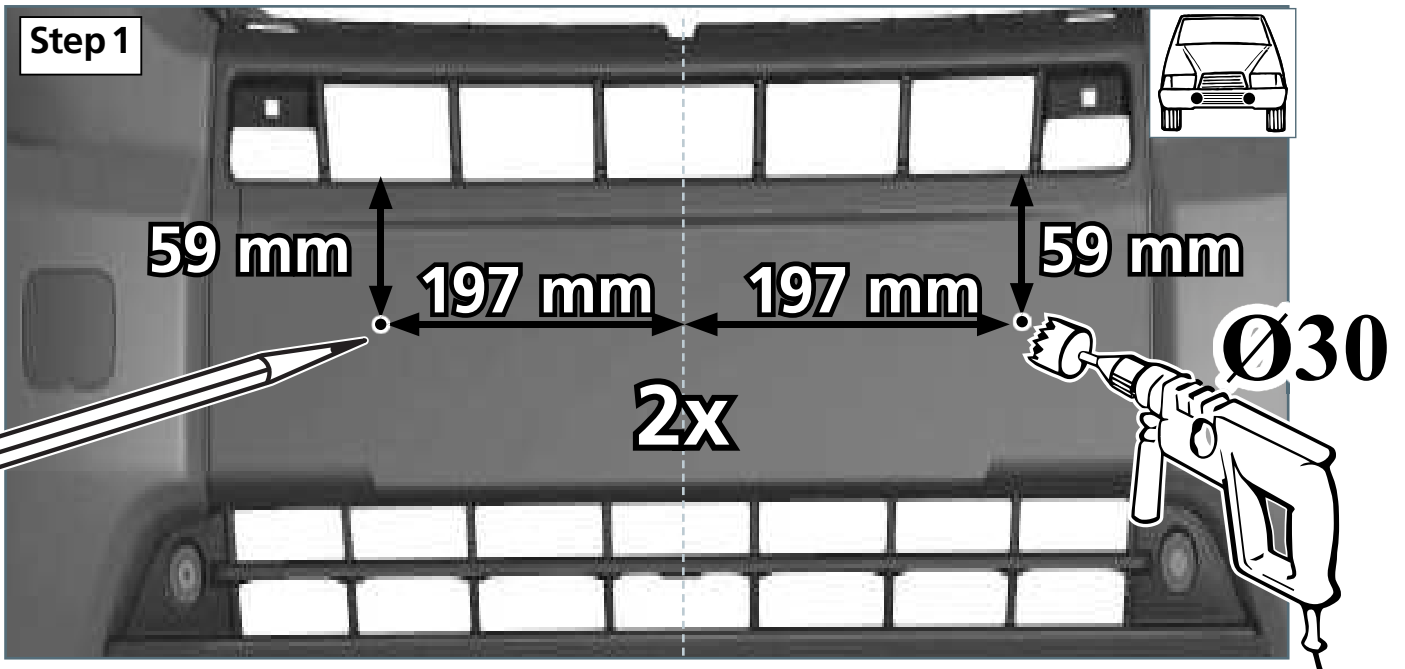


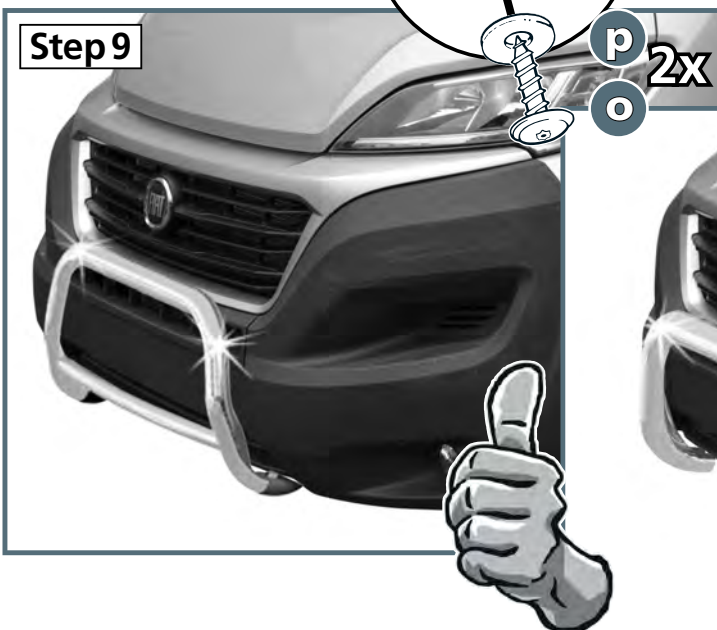
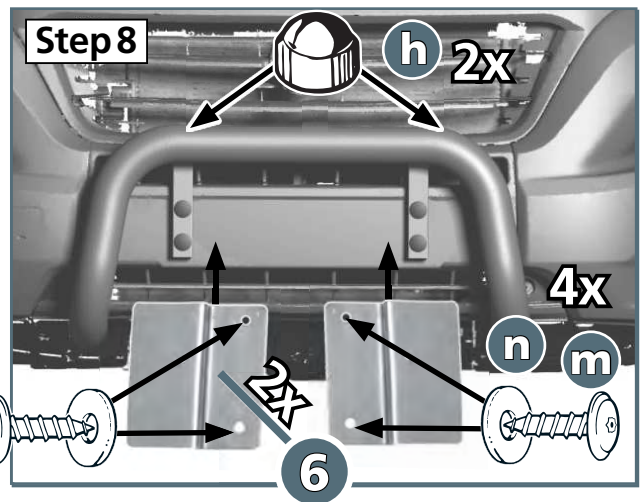
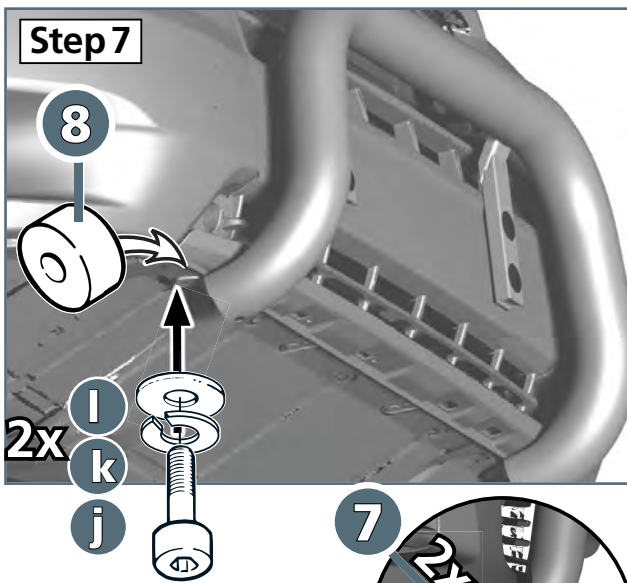
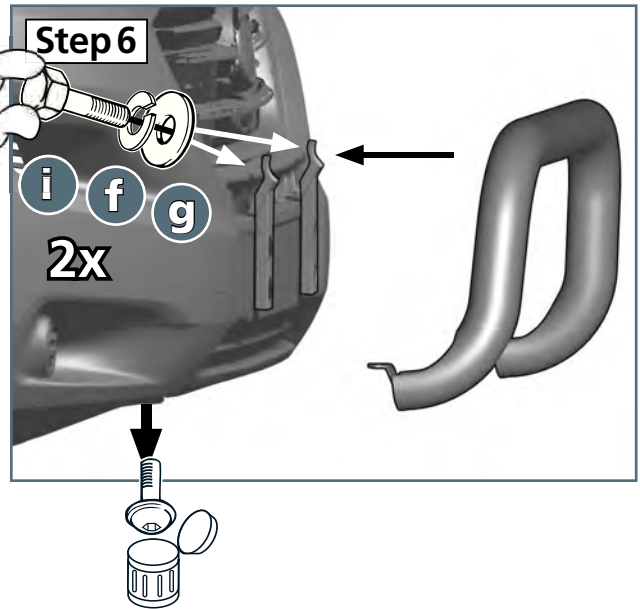
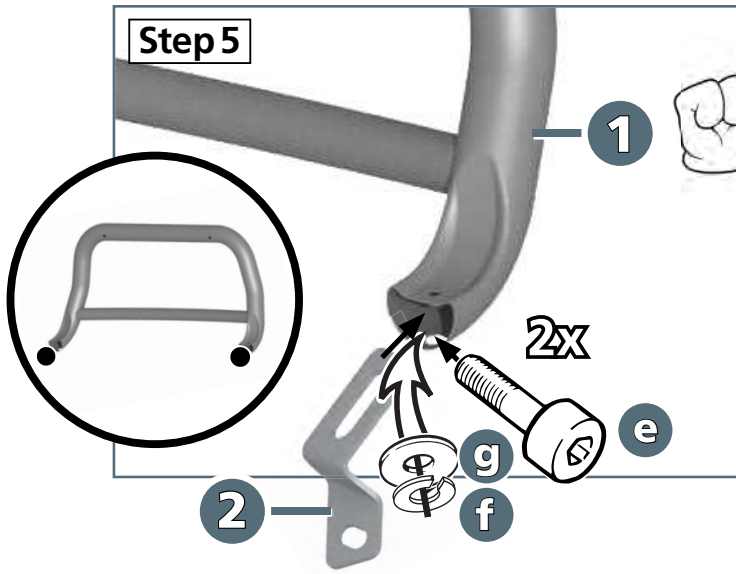
only
10W4413 /
10W5413

a		Ø 8,4; DIN 9021 Zn	4x
b		Ø 8; DIN 127 Zn	4x
c		M8; DIN 934 Zn	4x
d		Ø 32	4x
e		M8 x 25; DIN 912 A2	2x
f		Ø 8; DIN 127 A2	4x
g		Ø 8,4; DIN 9021 A2	4x
h		SW 13	2x
i		M8 x 25; DIN 933A2	2x
j		M6 x 30; DIN 912 Zn	2x
k		Ø 6; DIN 127 Zn	2x
l		Ø 6,4; DIN 9021 Zn	2x
m		Ø 4,8 x 19; DIN 7981 A2	4x
n		Ø 5,3; DIN 9021 A2	4x
o		Ø 3,5 x 13; DIN ähnl. 7981 A2	2x
p		Ø 4,2; DIN 9021 A2	2x



Revision 4: 31.05.2016





only
10W4413 /
10W5413