

↗ DOMETIC

AIR CONDITIONERS FRESHWELL



FW 3000

- | | | |
|-----------|---|-----|
| EN | Under-bench air conditioner
Installation Manual..... | 2 |
| DE | Staukastenklimaanlage
Montageanleitung..... | 17 |
| FR | Climatiseur de coffre
Instructions de montage..... | 33 |
| ES | Equipo de aire acondicionado de cajón
Instrucciones de montaje..... | 49 |
| PT | Sistema de climatização para caixa de arrumação
Instruções de montagem..... | 65 |
| IT | Climatizzatore per vano di carico
Indicazioni di montaggio..... | 82 |
| NL | Airco onder de bank
Montagehandleiding..... | 97 |
| DA | Klimaanlæg til montering i et magasin
Monteringsvejledning..... | 114 |
| SV | Klimatanläggning för förvaringsutrymmen
Monteringsanvisning..... | 130 |
| NO | Takboks-klimaenlegg
Monteringsanvisning..... | 144 |
| FI | Kaappi-ilmastointilaite
Asennusohje..... | 159 |
| RU | Встраиваемый в багажный ящик кондиционер
Инструкция по монтажу..... | 174 |
| PL | Klimatyzator umieszczony w schowku
Instrukcja montażu..... | 190 |
| SK | Klimatizačné zariadenie do úložného priestoru
Návod na montáž..... | 205 |
| CS | Klimatizace do zavazadlového prostoru
Návod k montáži..... | 219 |
| HU | Tárolóládás klímaberendezés
Szerelési útmutató..... | 233 |

Please read this instruction manual carefully before installation and first use, and store it in a safe place. If you pass on the product to another person, hand over this instruction manual along with it.

Table of contents

1	Explanation of symbols	2
2	Safety and installation instructions	3
3	Target group for this instruction manual	4
4	Scope of delivery	5
5	Intended use	5
6	Labels.	5
7	Installation	6
8	Troubleshooting	12
9	Disposal	13
10	Technical data	15

1 Explanation of symbols



WARNING!
Safety instruction: Failure to observe this instruction can cause fatal or serious injury.



CAUTION!
Safety instruction: Failure to observe this instruction can lead to injury.



NOTICE!
 Failure to observe this instruction can cause material damage and impair the function of the product.



NOTE
 Supplementary information for operating the product.

2 Safety and installation instructions

Please observe the prescribed safety instructions and stipulations from the vehicle manufacturer and service workshops.

The manufacturer accepts no liability for damage in the following cases:

- Damage to the product resulting from mechanical influences and excess voltage
- Alterations to the product without express permission from the manufacturer
- Use for purposes other than those described in the operating manual

Note the following basic safety information when using electrical devices to protect against:

- Electric shock
- Fire hazards
- Injury

2.1 Handling the device



WARNING!

- Installation and repair of the under-bench air conditioner may only be carried out by qualified personnel who are familiar with the risks involved and the relevant regulations. Inadequate repairs may cause serious hazards. For repair service, please contact the service centre in your country (addresses on the back page).
- **Electrical devices are not toys.**
Keep electrical devices out of reach of children or infirm persons. Do not allow them to use electrical devices without supervision.
- Persons whose physical, sensory or mental capabilities or whose lack of experience and knowledge prevent them from using the device safely should not use it without supervision or instruction by a responsible person.
- In the event of a fire only use approved extinguishing agents. Do not use water to extinguish fires.



CAUTION!

- The under-bench air conditioner must be installed securely so that it cannot fall down.
- Only operate the under-bench air conditioner if you are certain that the housing and the cables are not damaged.

- Do not use the under-bench air conditioner near flammable fluids.
- Make sure no combustible objects are stored or installed near the air outlet. A distance of at least 50 cm must be kept.
- Do not reach into air outlets or insert any foreign objects in the device.

**NOTICE!**

- Only use the device as intended.
- The under-bench air conditioner is not suitable for use in agricultural or construction vehicles.
- Do not make any alterations or conversions to the device.
- If faults occur in this refrigerant circuit, the system must be checked by a specialist company and repaired properly. The refrigerant must never be released into the air.

2.2 Handling electrical cables

**WARNING!**

- The electrical power supply may only be connected by a qualified electrician (e.g. VDE 0100, Part 721 in Germany).

**CAUTION!**

- Attach and lay the cables so that they cannot be tripped over or damaged.

**NOTICE!**

- Use cable ducts to lay cables through walls with sharp edges.
- Do not lay loose or bent cables next to electrically conductive materials (metal).
- Do not pull on the cables.

3 Target group for this instruction manual

The instructions in this manual are intended for qualified personnel at workshops who are familiar with the guidelines and safety precautions to be applied.

4 Scope of delivery

No. in fig. 1	Quantity	Description
1	1	Under-bench air conditioner
2	1	Remote control
3	1	Receiver
4	4	Air filter
5	2	Angle section
6	4	Fastening bracket
7	14	Fastening screw
8	2	Drain pipe
9	2	External grids
–	1	Assembly template

5 Intended use

The Dometic FreshWell 3000 under-bench air conditioner (ref. no. 9105306670) is designed for use in motorcaravans, caravans and other vehicles with habitation compartments only. It is **not** suitable for houses and apartments.

The under-bench air conditioner is **not** suitable for installation in construction machines, agricultural machines or similar equipment. It will not work properly if exposed to strong vibrations.

The operating mode of FreshWell 3000 is guaranteed for temperatures between 0 °C and 52 °C.



NOTE

You can find additional information on under-bench air conditioners in the operating manual, such as the technical description or the controls.

6 Labels

Labels are attached to the Dometic FreshWell under-bench air conditioners. These labels provide the user and fitter with information on specifications of the device.

7 Installation



CAUTION! Beware of injury

The under-bench air conditioner may only be installed by qualified personnel from a specialist company. The following information is intended for technicians who are familiar with the guidelines and safety precautions to be applied.

7.1 Note on installation

Read this installation manual completely before installing the under-bench air conditioner.

The following tips and instructions must be observed while installing the under-bench air conditioner:



DANGER! Danger of electrocution

Disconnect all power supplies when working on the under-bench air conditioner.



CAUTION! Beware of injury

- Improper installation of the under-bench air conditioner can result in irreparable damage to the device and put the safety of the user at risk.
- The manufacturer assumes no liability for malfunctions and for the safety of the under-bench air conditioner, especially for injury and/or damage to property, if the under-bench air conditioner is not fitted in accordance with these installation instructions.
- Always wear the recommended protective clothing (e.g. protective goggles, gloves).



NOTICE! Beware of damage

Observe the structural engineering of the vehicle and seal of all openings made when installing the under-bench air conditioner.

Note on transport

- Always have someone help you carry the under-bench air conditioner.
- Always lift the under-bench air conditioner to move it and never drag it over the floor (fig. **2 A**).
- Do not use the ventilation slots to lift it (fig. **2 B**).

Note on installation location

- To install the machine it is necessary to create openings in the floor. These openings must be accessible and must not be covered by any parts of the vehicle.
- Before installing the under-bench air conditioner, check whether any vehicle components could be damaged by the installation of the under-bench air conditioner (such as lamps, cupboards, doors).
- Make sure no combustible objects are stored or installed near the air outlet. A distance of at least 50 cm should be kept.
- The inclination of the installation surface may not exceed 10°.
- For safety reasons, note the location of existing wiring harnesses, wires and other components within the installation area, in particular those which are not visible, when installing the under-bench air conditioner (when drilling or screwing etc.).
- To obtain the optimal air-conditioning in the vehicle, install the under-bench air conditioner in a central position, in a compartment or a similar housing.
- Choose a place that is easily accessible for servicing as well as disassembling and installing.
- Place the assembly template into the chosen compartment and check the space available for the openings in the floor.
- To minimize the transmission of noise and vibration during operation, the under-bench air conditioner should have a all around minimum clearance of 30 mm to walls and furniture.
- The under-bench air conditioner must be installed on the floor.
- Keep a distance of 200 mm between the front of the under-bench air conditioner and the walls of the compartment to facilitate filter replacement.
- Installing the under-bench air conditioner into an external compartment (e.g. false bottoms), the air to be treated must be drawn in from the vehicle's passenger compartment.
- Suctioning of outside air can significantly reduce the power of the system.

Note on electrical system (see fig. 13)

No. in fig. 13	Description
1	Motor ventilator (inner)
2	Motor ventilator (outer)
3	Capacitor
4	Compressor
5	Temperature sensor
6	PCB
7	PCB display
8	PCB interface
9	Soft start
10	Valve
11	Resistor

- Only a qualified electrician should connect the under-bench air conditioner to the electrical power.
- Check that the voltage specification on the type plate is the same as that of the power supply.
- Do not lay cables which are loose or bent next to electrically conductive material (metal).
- Install an all-pole switch with a contact opening width of at least 3 mm on the installation side.

7.2 Making openings

See fig. 3

- Mark the position and size of the openings using the template included in the packaging (**A** and **B**).

See fig. 4

- Drill out the corners (**A**).
- Carefully cut out the opening on the roof using a keyhole saw or a similar tool (**B**). Make sure no electrical power cables are damaged.
- Drill out a condensation water drainage opening with a diameter of 32 mm (**C**).

See fig. 5

- Mark the position of the angle sections (**A**) and the fastening brackets (**B**).

7.3 Installing the fastening brackets and belts

See fig. 6

- Fasten the four fastening brackets (**A**).
- Pull the belts through the fastening brackets (**B**).
- Install the drain pipes under the under-bench air conditioner (**C**).
- Fasten the under-bench air conditioner with the belts (**D**).

7.4 Installing the angle section

See fig. 7

- Fasten the under-bench air conditioner with the two angle sections and three fastening screws for each as shown.

7.5 Installing the external grids

See fig. 8

- Fasten the external grids as shown with the screws and washers included in the supply.

7.6 Installing the receiver

See fig. 9

- ▶ Drill an opening of 50 mm into the wall.

See fig. 10

- ▶ Lay the cable through the hole to the under-bench air conditioner.
- ▶ Fasten the receiver as shown.

7.7 Laying the connecting cables



DANGER! Danger of electrocution

Make sure there is no voltage at electrically operated components before carrying out work on them!

The under-bench air conditioner must be connected to an electric circuit which is able to supply the required current (see chapter "Technical data" on page 15).

- ▶ Select the cross-section of the cable corresponding to the length:
 - Length < 7.5 m: 1.5 mm²
 - Length > 7.5 m: 2.5 mm²

See fig. 11

- ▶ Plug the four-pole plug of the receiver into the IR socket of the (1).
- ▶ Plug the 230 V~ plug into an 230 V~ socket (2).

7.8 Air ducting

See fig. 12

Make the air ducting with trade parts (**not** included in the supply). It is recommended to use cardboard pipe for air conditioning with an aluminium core and external covering of PVC. The nominal inside diameter should size up to 60 mm, the outside diameter 65 mm.

The ventilation pipes are joined by pressing them together thanks to the tapered hole on the air outlet.

The pipes are connected to the register output.

To achieve the best efficiency it is recommended to:

- lay the air pipes as short and straight as possible
- restrict the length of the pipes to 5 m
- don't lay the pipes near any heat sources

The recirculation air is drawn in through a grille or through other openings with a total cross-section of at least 300 cm². The recirculation air opening must be created near the machine. If this is not possible, make sure that the air flow must be obstructed by anything; if necessary, create an air duct between the opening and the machine.



NOTE

To avoid condensation on the pipes insulate the pipes with insulation material (not included in the scope of delivery).

The recirculation air must be taken from inside the passenger compartment; if taken from the outside then the efficiency of the under-bench air conditioner will be reduced.

8 Troubleshooting

Problem	Cause	Remedy
No cooling capacity	The under-bench air conditioner is not set to cooling.	➤ Set the under-bench air conditioner to cooling.
	The ambient temperature is above 52 °C.	The under-bench air conditioner is only designed for ambient temperatures of up to 52 °C.
	The temperature set is higher than the room temperature.	➤ Select a lower temperature.
	The ambient temperature is below 16 °C.	The under-bench air conditioner is only designed for ambient temperatures above 16 °C.
	The thermal protection is defective.	➤ Contact an authorised workshop.
	The compressor is damaged.	
	The refrigerating agent filling is insufficient.	
The heat exchange coils are polluted.		
The external blower is defective.		
No heating capacity	The under-bench air conditioner is not set to heating.	➤ Set the under-bench air conditioner to heating.
	The ambient temperature is below 0 °C.	The under-bench air conditioner is only designed for ambient temperatures higher than 0 °C.
	The temperature set is lower than the room temperature.	➤ Select a higher temperature.
	The ambient temperature is higher than 31 °C.	The temperature is adjustable between 16 °C and 31 °C.
	The thermal protection is defective.	➤ Contact an authorised workshop.
	The compressor is damaged.	
	The refrigerating agent filling is insufficient.	
The heat exchange coils are polluted.		
The external blower is defective.		
Low air output	The air filter is obstructed.	➤ Clean the air filter.
	The heat exchange coils are polluted.	➤ Contact an authorised workshop.
	The internal blower is defective.	

Problem	Cause	Remedy
Water enters the vehicle	The condensation water drainage openings are clogged up.	➤ Clean the drainage openings for condensation water.
	The seals are damaged.	➤ Contact an authorised workshop.
Under-bench air conditioner does not switch on.	No supply voltage (230 V~) connected.	➤ Check the power supply.
	The voltage is too low (under 200 V~). The voltage converter is defective.	➤ Contact an authorised workshop.
	The defective thermal protection is defective.	
	The electrical fuse of the power supply is too low.	➤ Check the electrical fuse of the power supply.
Under-bench air conditioner stops working.	The air filter is obstructed.	➤ Clean the air filter.
	The voltage is too low (under 200 V~). The voltage converter is defective.	➤ Contact an authorised workshop.
	The defective thermal protection is defective.	
	The condenser fan is damaged.	
	The heat exchange coils are polluted.	
	The external blower is defective.	
Under-bench air conditioner does not switch off.	One of the temperature sensors is defective.	➤ Contact an authorised workshop.

9 Disposal

Regulations for environmental safety and correct disposal

All organisations must apply a set of procedures to identify, evaluate and control the influence that their activities (manufacturing, products, services, etc.) have on the environment.

The procedures to be followed to identify significant environmental impact must take the following factors into account:

- use of raw materials and natural resources
- atmospheric emissions
- discharge of liquids

- waste management and recycling
- contamination of the soil

In order to minimise environmental impact, the manufacturer provides a series of indications here below that should be taken into account by all those who, for whatever reason, interact with the appliance during its working life.

- All packing components must be disposed of (preferably recycled) in compliance with statutory legislation in the country in which disposal takes place.
- All product components must be disposed of (preferably recycled) in compliance with statutory legislation in the country in which disposal takes place.
- For correct disposal, the appliance must be consigned to an authorised waste disposal company to ensure that all recyclable components are reused and the remaining materials are processed properly.
- During installation ensure the room has adequate ventilation to prevent the build-up of stale air that might be harmful to the health of the operators.
- During operation and maintenance ensure that any waste pollutant products (oil, grease, etc.) are disposed of correctly.
- Keep noise levels down to reduce noise pollution.

For more information on correct dismantling of our products please refer to the recycling handbooks at www.dometic.com.

- Place the packaging material in the appropriate recycling waste bins wherever possible.
- When in operation or undergoing repairs and maintenance work, make sure that the refrigerant circuit is not damaged and refrigerant cannot escape. It acts as a greenhouse gas and should not be allowed into the environment.



If you wish to finally dispose of the product, ask your local recycling centre or specialist dealer for details about how to do this in accordance with the applicable disposal regulations.

- Dispose of the product at an official waste disposal facility in accordance with the applicable recycling or disposal guidelines.

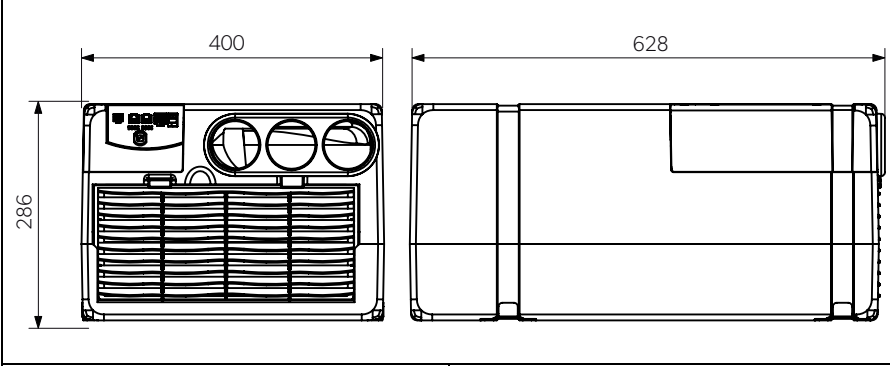



Protect the environment!

Do not dispose of any batteries with general household waste. Return defective or used batteries to your retailer or dispose of them at collection points.

10 Technical data

	FreshWell 3000
Ref. no.:	9105306670
Cooling capacity according to ISO 5151:	2700 W
Heating capacity:	3000 W (2500 W + 500 W additional heating element)
Rated input voltage:	230 V~/ 50 Hz
Current consumption:	Cooling: 4.3 A Heating: 4.8 A
Required fuse:	5 A
Operating temperature range:	0 °C to +52 °C
Refrigerant:	R-410A
Refrigerant quantity:	0.6 kg
CO ₂ equivalent:	1,2528 t
Global warming potential (GWP):	2088
Additional heating element:	500 W
Blower:	3 blower levels 1 Automatic mode
Protection class:	IP X5
Max. volume of space in the vehicle (with insulated walls):	30 m ³
Dimensions L x W x H:	628 x 400 x 286 mm

FreshWell 3000	
	
Weight:	approx. 21 kg
Inspection/certification:	

Contains fluorinated greenhouse gases

Hermetically sealed equipment

Bitte lesen Sie diese Anleitung vor Einbau und Inbetriebnahme sorgfältig durch und bewahren Sie sie auf. Geben Sie sie im Falle einer Weitergabe des Produktes an den Nutzer weiter.

Inhaltsverzeichnis

1	Erklärung der Symbole	17
2	Sicherheits- und Einbauhinweise	18
3	Zielgruppe dieser Anleitung	20
4	Lieferumfang	20
5	Bestimmungsgemäßer Gebrauch	21
6	Kennzeichnungsschilder	21
7	Montage	22
8	Störungsbeseitigung	28
9	Entsorgung	30
10	Technische Daten	31

1 Erklärung der Symbole



WARNUNG!

Sicherheitshinweis: Nichtbeachtung kann zu Tod oder schwerer Verletzung führen.



VORSICHT!

Sicherheitshinweis: Nichtbeachtung kann zu Verletzungen führen.



ACHTUNG!

Nichtbeachtung kann zu Materialschäden führen und die Funktion des Produktes beeinträchtigen.



HINWEIS

Ergänzende Informationen zur Bedienung des Produktes.

2 Sicherheits- und Einbauhinweise

Beachten Sie die vom Fahrzeughersteller und vom Kfz-Handwerk vorgeschriebenen Sicherheitshinweise und Auflagen!

Der Hersteller übernimmt in folgenden Fällen keine Haftung für Schäden:

- Beschädigungen am Produkt durch mechanische Einflüsse und Überspannungen
- Veränderungen am Produkt ohne ausdrückliche Genehmigung vom Hersteller
- Verwendung für andere als die in der Anleitung beschriebenen Zwecke

Beachten Sie folgende grundsätzliche Sicherheitsmaßnahmen beim Gebrauch von elektrischen Geräten zum Schutz vor:

- elektrischem Schlag
- Brandgefahr
- Verletzungen

2.1 Umgang mit dem Gerät



WARNUNG!

- Die Montage und Reparaturen der Staukastenklimaanlage dürfen nur von Fachkräften durchgeführt werden, die mit den verbundenen Gefahren bzw. den einschlägigen Vorschriften vertraut sind. Durch unsachgemäße Reparaturen können erhebliche Gefahren entstehen. Wenden Sie sich im Reparaturfall an den Service-Stützpunkt in Ihrem Land (Adressen auf der Rückseite).
- **Elektrogeräte sind kein Kinderspielzeug!** Kinder können Gefahren, die von elektrischen Geräten ausgehen, nicht richtig einschätzen. Lassen Sie Kinder nicht ohne Aufsicht elektrische Geräte benutzen.
- Personen, die aufgrund ihrer physischen, sensorischen oder geistigen Fähigkeiten oder ihrer Unerfahrenheit oder Unkenntnis nicht in der Lage sind, das Gerät sicher zu benutzen, sollten dieses Gerät nicht ohne Aufsicht oder Anweisung durch eine verantwortliche Person nutzen.
- Im Falle von Feuer verwenden Sie nur zugelassene Löschmittel. Verwenden Sie kein Wasser zum Löschen.

**VORSICHT!**

- Die Staukastenklimaanlage muss so sicher installiert werden, dass diese nicht herabfallen kann.
- Betreiben Sie die Staukastenklimaanlage nur, wenn das Gehäuse und die Leitungen unbeschädigt sind.
- Setzen Sie die Staukastenklimaanlage nicht in der Nähe von entflamm-
baren Flüssigkeiten ein.
- Achten Sie darauf, dass brennbare Gegenstände nicht im Bereich des
Luftaustritts gelagert bzw. montiert sind. Der Abstand muss mindes-
tens 50 cm betragen.
- Greifen Sie nicht in Lüftungsauslässe, und führen Sie keine Fremd-
gegenstände in die Anlage ein.

**ACHTUNG!**

- Benutzen Sie das Gerät nur zu seinem bestimmungsgemäßen
Gebrauch.
- Die Staukastenklimaanlage ist nicht für den Betrieb in Land- und Bau-
maschinen geeignet.
- Führen Sie keine Änderungen oder Umbauten am Gerät durch.
- Treten Fehler im Kältemittelkreislauf der Anlage auf, so muss die
Anlage von einem Fachbetrieb geprüft und ordnungsgemäß instand
gesetzt werden. Auf keinen Fall darf das Kältemittel in die freie Atmo-
sphäre abgelassen werden.

2.2 Umgang mit elektrischen Leitungen

**WARNUNG!**

- Der elektrische Anschluss darf nur von einem Fachbetrieb durch-
geführt werden (z. B. in Deutschland VDE 0100, Teil 721).

**VORSICHT!**

- Befestigen und verlegen Sie Leitungen so, dass keine Stolpergefahr
entsteht und eine Beschädigung des Kabels ausgeschlossen ist.

**ACHTUNG!**

- Müssen Leitungen durch scharfkantige Wände geführt werden, so verwenden Sie Leerrohre bzw. Leitungsdurchführungen.
- Verlegen Sie keine losen oder scharf abgeknickten Leitungen an elektrisch leitenden Materialien (Metall).
- Ziehen Sie nicht an Leitungen.

3 Zielgruppe dieser Anleitung

Diese Anleitung richtet sich an Facharbeiter in Werkstätten, die mit den anzuwendenden Richtlinien und Sicherheitsvorkehrungen vertraut sind.

4 Lieferumfang

Nr. in Abb. 1	Anzahl	Bezeichnung
1	1	Staukastenklimaanlage
2	1	Fernbedienung
3	1	Empfänger
4	4	Luftfilter
5	2	Befestigungswinkel
6	4	Befestigungsbügel
7	14	Befestigungsschraube
8	2	Abflussrohr
9	2	Außengitter
-	1	Installationsschablone

5 Bestimmungsgemäßer Gebrauch

Die Staukastenklimaanlage Dometic FreshWell 3000 (Art.-Nr. 9105306670) ist ausschließlich geeignet für Wohnmobilen, Caravans und sonstige Fahrzeuge mit Wohnräumen. Sie ist **nicht** geeignet für Häuser oder Wohnungen.

Die Staukastenklimaanlage ist **nicht** für die Installation in Baumaschinen, Landmaschinen oder ähnlichen Arbeitsgeräten geeignet. Bei zu starker Vibrationswirkung ist eine ordnungsgemäße Funktion nicht gewährleistet.

Die Funktion von FreshWell 3000 ist garantiert für Temperaturen zwischen 0 °C und 52 °C.



HINWEIS

Weitere Informationen zur Staukastenklimaanlage wie die technische Beschreibung oder Bedienung finden Sie in der Bedienungsanleitung.

6 Kennzeichnungsschilder

An der Staukastenklimaanlage Dometic FreshWell sind Kennzeichnungsschilder angebracht. Diese Kennzeichnungsschilder informieren den Anwender und den Installateur über Gerätespezifikationen.

7 Montage



VORSICHT! Verletzungsgefahr!

Die Montage der Staukastenklimaanlage darf ausschließlich von entsprechend ausgebildeten Fachbetrieben durchgeführt werden. Die nachfolgenden Informationen richten sich an Fachkräfte, die mit den anzuwendenden Richtlinien und Sicherheitsvorkehrungen vertraut sind.

7.1 Hinweise zur Montage

Vor der Montage der Staukastenklimaanlage muss diese Montageanleitung vollständig gelesen werden.

Folgende Tipps und Hinweise müssen bei der Montage der Staukastenklimaanlage beachtet werden:



GEFAHR! Achtung – Lebensgefahr durch Stromschlag!

Unterbrechen Sie bei Arbeiten an der Staukastenklimaanlage alle Spannungsversorgungen



VORSICHT! Verletzungsgefahr!

- Eine falsche Montage der Klimaanlage kann zu irreparablen Schäden am Gerät führen und die Sicherheit des Benutzers beeinträchtigen.
- Wenn die Staukastenklimaanlage nicht gemäß dieser Montageanleitung installiert wird, übernimmt der Hersteller keinerlei Haftung, weder für Betriebsstörungen noch für die Sicherheit der Staukastenklimaanlage, insbesondere nicht für Personen- und/oder Sachschäden.
- Tragen Sie bei allen Arbeiten die vorgeschriebene Schutzkleidung (z. B. Schutzbrille, Schutzhandschuhe).



ACHTUNG! Beschädigungsgefahr!

Beachten Sie beim Einbau der Staukastenklimaanlage stets die Statik des Fahrzeugs und die Abdichtung aller beim Einbau entstandenen Öffnungen.

Hinweise zum Transport

- Tragen Sie die Staukastenklimaanlage immer zu zweit.
- Heben Sie die Staukastenklimaanlage zum Bewegen immer an, ziehen Sie sie nicht über den Boden (Abb. **2 A**).
- Verwenden Sie zum Anheben nicht die Lüftungsschlitze (Abb. **2 B**).

Hinweise zum Montageort

- Zur Installation der Staukastenklimaanlage müssen Öffnungen auf dem Boden angebracht werden. Diese Öffnungen müssen leicht zugänglich sein und dürfen nicht durch Bauteile des Fahrzeugs verdeckt werden.
- Prüfen Sie vor Montage der Staukastenklimaanlage, ob durch den Einbau der Staukastenklimaanlage ggf. Fahrzeugkomponenten beschädigt werden könnten (z. B. Lampen, Schränke, Türen).
- Achten Sie darauf, dass brennbare Gegenstände nicht im Bereich des Luftaustrittes gelagert bzw. montiert sind. Der Abstand sollte mindestens 50 cm betragen.
- Die Neigung der Montagefläche darf nicht mehr als 10° betragen.
- Achten Sie aus Sicherheitsgründen beim Einbau der Staukastenklimaanlage (beim Bohren und Schrauben usw.) auf den Verlauf von vorhandenen, insbesondere nicht sichtbaren Kabelsträngen, Leitungen und anderen Komponenten, die sich im Montagebereich befinden.
- Installieren Sie die Staukastenklimaanlage für eine optimale Klimatisierung des Fahrzeugs möglichst in einer zentralen Position in einem Fach oder einer ähnlichen Vorrichtung.
- Wählen Sie einen Platz, der für Wartungsarbeiten und für den Ein- und Ausbau des Gerätes leicht zugänglich ist.
- Legen Sie die Installationsschablone in das gewählte Fach und kontrollieren Sie den verfügbaren Platz für die Öffnungen auf dem Boden.
- Zur Minimierung der Geräusch- und Schwingungsübertragung während des Betriebs sollte die Staukastenklimaanlage einen Mindestabstand von rundum 30 mm zu Wänden oder Möbeln aufweisen.
- Das Gerät muss auf dem Boden installiert werden.
- Lassen Sie einen Abstand von 200 mm zwischen der Gerätefront und den Seiten des Fachs, um den Filteraustausch zu erleichtern.
- Bei Montage des Gerätes in einem Fach außerhalb des Fahrzeugs (z. B. Doppelböden) muss die zu behandelnde Luft aus dem Fahrzeuginneren angesaugt werden.
- Die Ansaugung von Außenluft kann die Leistung der Anlage beträchtlich verringern.

Hinweise zur Elektrik (siehe Abb. 13)

Nr. in Abb. 13	Bezeichnung
1	Lüftermotor (innen)
2	Lüftermotor (außen)
3	Kondensator
4	Kompressor
5	Temperatursensor
6	Platine
7	Platine Display
8	PCB-Schnittstelle
9	Softstart
10	Ventil
11	Widerstand

- Lassen Sie die Staukastenklimaanlage nur von einer Fachkraft elektrisch anschließen.
- Vergleichen Sie die Spannungsangabe auf dem Typenschild mit der vorhandenen Energieversorgung.
- Verlegen Sie Leitungen nicht lose oder scharf abgelenkt an elektrisch leitenden Materialien (Metall).
- Bauen Sie auf der Montageseite einen allpoligen Schalter mit mind. 3 mm Kontaktöffnungsweite ein.

7.2 Öffnungen erstellen

Siehe Abb. 3

- Zeichnen Sie die Lage und Größe der Öffnungen mit Hilfe der Schablone vor, die in der Verpackung enthalten ist (**A** und **B**).

Siehe Abb. 4

- Bohren Sie die Ecken aus (**A**).
- Schneiden Sie die Öffnung auf dem Dach sorgfältig mit einer Stichsäge o. ä. aus (**B**).
Achten Sie dabei darauf, dass keine elektrischen Kabel beschädigt werden.
- Bohren Sie eine Ablauföffnung für Kondenswasser mit einem Durchmesser von 32 mm (**C**).

Siehe Abb. 5

- Markieren Sie die Position für die Befestigungswinkel (**A**) und die Befestigungsbügel (**B**).

7.3 Befestigungsbügel und Gurte befestigen

Siehe Abb. 6

- Befestigen Sie die vier Befestigungsbügel (**A**).
- Ziehen Sie die Gurte durch die Befestigungsbügel (**B**).
- Montieren Sie die Abflussrohre unter der Staukastenklimaanlage (**C**).
- Befestigen Sie die Staukastenklimaanlage mit den Gurten (**D**).

7.4 Befestigungswinkel befestigen

Siehe Abb. 7

- Befestigen Sie die Staukastenklimaanlage mit den beiden Befestigungswinkeln und jeweils drei Befestigungsschrauben wie dargestellt.

7.5 Außengitter befestigen

Siehe Abb. 8

- Befestigen Sie die Außengitter wie dargestellt mit den im Lieferumfang enthaltenen Schrauben und Scheiben.

7.6 Empfänger befestigen

Siehe Abb. 9

- Bohren Sie ein Öffnung von 50 mm in die Wand.

Siehe Abb. 10

- Führen Sie das Kabel durch die Öffnung zur Staukastenklimaanlage.
- Befestigen Sie den Empfänger wie dargestellt.

7.7 Anschlussleitungen verlegen



GEFAHR! Lebensgefahr durch Stromschlag!

Vor Arbeiten an elektrisch betriebenen Komponenten ist sicherzustellen, dass keine Spannung mehr anliegt!

Die Staukastenklimaanlage muss an einen Stromkreis angeschlossen werden, der in der Lage ist, den erforderlichen Strom zu liefern (siehe Kapitel „Technische Daten“ auf Seite 31).

- Wählen Sie den Leitungsquerschnitt entsprechend der Leitungslänge:
 - Länge < 7,5 m: 1,5 mm²
 - Länge > 7,5 m: 2,5 mm²

Siehe Abb. 11

- Stecken Sie den 4-poligen Stecker des Empfängers in die IR-Buchse der Staukastenklimaanlage **(1)**.
- Stecken Sie den 230-V~ -Stecker **(2)** in eine 230-V~ -Steckdose.

7.8 Luftführung

Siehe Abb. 12

Realisieren Sie die Luftführung mit Kanälen aus handelsüblichen Bauteilen (**nicht** im Lieferumfang enthalten). Es wird empfohlen, Papprohre für Klimaanlage mit Innenverkleidung aus Aluminium und PVC-Außenverkleidung zu verwenden. Der Nenn-Innendurchmesser dieser Rohre sollte 60 mm betragen, der Außendurchmesser 65 mm.

Die Belüftungsrohre werden mit Hilfe der Kegelbohrung am Luftaustritt durch Druck verbunden.

Die Rohre werden am Registerausgang angeschlossen.

Für optimale Leistungen wird empfohlen:

- verlegen Sie die Luftleitungen so kurz und geradlinig wie möglich
- beschränken Sie die Rohrlänge auf maximal 5 m
- verlegen Sie die Rohre nicht in der Nähe von Wärmequellen

Die Umluft wird durch ein Gitter oder andere Öffnungen mit einem Querschnitt angesaugt, der für einen Luftstrom von mindestens 300 cm² ausgelegt ist. Die Umluftöffnung muss in der Nähe des Gerätes angebracht werden. Falls dies nicht möglich ist, darf die Luftführung nicht durch Gegenstände behindert werden; legen Sie ggf. zwischen der Öffnung und dem Gerät einen Luftkanal an.



HINWEIS

Isolieren Sie die Rohre mit geeignetem Isoliermaterial (nicht im Lieferumfang enthalten), um Kondensation auf den Rohren zu vermeiden.

Die Umluft muss aus dem Innenraum des Fahrzeugs entnommen werden; bei Zufuhr von Außenluft können die Geräteleistungen beträchtlich beeinträchtigt werden.

8 Störungsbeseitigung

Störung	Ursache	Behebung
Keine Kühlleistung	Die Staukastenklimaanlage ist nicht auf Kühlen eingestellt.	➤ Stellen Sie die Staukastenklimaanlage auf Kühlen.
	Die Umgebungstemperatur ist höher als 52 °C.	Die Staukastenklimaanlage ist nur für eine Umgebungstemperatur bis 52 °C ausgelegt.
	Die eingestellte Temperatur ist höher als die Raumtemperatur.	➤ Wählen Sie eine niedrigere Temperatur.
	Die Umgebungstemperatur ist niedriger als 16 °C.	Die Staukastenklimaanlage ist nur für eine Umgebungstemperatur ab 16 °C ausgelegt.
	Der Wärmeschutz ist defekt.	➤ Wenden Sie sich an eine autorisierte Fachwerkstatt.
	Der Kompressor ist schadhaft.	
	Die Kältemittelfüllung ist unzureichend.	
Das Register des Wärmetauschers ist verschmutzt.		
Das äußere Gebläse ist defekt.		
Keine Heizleistung	Die Staukastenklimaanlage ist nicht auf Heizen eingestellt.	➤ Stellen Sie die Staukastenklimaanlage auf Heizen.
	Die Umgebungstemperatur liegt unter 0 °C.	Die Staukastenklimaanlage ist nur für eine Umgebungstemperatur über 0 °C ausgelegt.
	Die eingestellte Temperatur ist niedriger als die Raumtemperatur.	➤ Wählen Sie eine höhere Temperatur.
	Die Umgebungstemperatur ist höher als 31 °C.	Die Temperatur ist einstellbar zwischen 16 °C und 31 °C.
	Der Wärmeschutz ist defekt.	➤ Wenden Sie sich an eine autorisierte Fachwerkstatt.
	Der Kompressor ist schadhaft.	
	Die Kältemittelfüllung ist unzureichend.	
Das Register des Wärmetauschers ist verschmutzt.		
Das äußere Gebläse ist defekt.		

Störung	Ursache	Behebung
Schlechte Luftleistung	Der Luftfilter ist verstopft.	➤ Reinigen Sie den Luftfilter.
	Das Register des Wärmetauschers ist verschmutzt.	➤ Wenden Sie sich an eine autorisierte Fachwerkstatt.
	Das innere Gebläse ist defekt.	
Wassereintritt im Fahrzeug	Die Ablauföffnungen für Kondenswasser sind verstopft.	➤ Reinigen Sie die Ablauföffnungen für Kondenswasser.
	Die Dichtungen sind schadhafte.	➤ Wenden Sie sich an eine autorisierte Fachwerkstatt.
Staukasten- klimaanlage schaltet nicht ein	Es liegt keine Versorgungsspannung (230 V~) an.	➤ Kontrollieren Sie die Spannungsversorgung.
	Die Spannung ist zu niedrig (unter 200 V~).	➤ Wenden Sie sich an eine autorisierte Fachwerkstatt.
	Der Spannungswandler ist defekt.	
	Der Wärmeschutz ist defekt.	
	Die elektrische Absicherung der Spannungsversorgung ist zu gering.	➤ Prüfen Sie die elektrische Absicherung der Spannungsversorgung.
Staukasten- klimaanlage stellt den Betrieb ein	Der Luftfilter ist verstopft.	➤ Reinigen Sie den Luftfilter.
	Die Spannung ist zu niedrig (unter 200 V~).	➤ Wenden Sie sich an eine autorisierte Fachwerkstatt.
	Der Spannungswandler ist defekt.	
	Der Wärmeschutz ist defekt.	
	Das Kondensatorgebläse ist schadhafte.	
	Das Register des Wärmetauschers ist verschmutzt.	
	Das äußere Gebläse ist defekt.	
Staukasten- klimaanlage schaltet nicht ab	Einer der Temperaturfühler ist defekt.	➤ Wenden Sie sich an eine autorisierte Fachwerkstatt.

9 Entsorgung

Vorschriften für Umweltschutz und fachgerechte Entsorgung

Alle Organisationen müssen eine Reihe von Maßnahmen anwenden, um den Einfluss, den ihre Aktivitäten (Herstellung, Produkte, Service usw.) auf die Umwelt haben, zu erkennen, zu bewerten und zu kontrollieren.

Die zu befolgenden Maßnahmen zur Erkennung von erheblichen Auswirkungen auf die Umwelt müssen folgende Faktoren zu berücksichtigen:

- Verwendung von Rohstoffen und natürlichen Ressourcen
- atmosphärische Emissionen
- Austritt von Flüssigkeiten
- Entsorgung und Recycling
- Bodenkontamination

Um die Auswirkungen auf die Umwelt zu minimieren, stellt der Hersteller im Folgenden eine Reihe von Anzeichen dar, die jeder berücksichtigen muss, der (aus welchem Grund auch immer) mit dem Gerät während dessen Lebensdauer interagiert.

- Das gesamte Verpackungsmaterial muss entsprechend der gesetzlichen Vorschriften des Landes, in dem die Entsorgung stattfindet, entsorgt (vorzugsweise recycelt) werden.
- Alle Produkt-Komponenten müssen entsprechend der gesetzlichen Vorschriften des Landes, in dem die Entsorgung stattfindet, entsorgt (vorzugsweise recycelt) werden.
- Zur korrekten Entsorgung muss das Gerät an ein autorisiertes Recyclingcenter übergeben werden, damit sichergestellt ist, dass alle recycelbaren Komponenten wiederverwendet werden und mit den restlichen Materialien ordnungsgemäß verfahren wird.
- Stellen Sie während der Installation sicher, dass der Raum ausreichend belüftet ist, um das Entstehen von abgestandener Luft zu verhindern, die schädlich für die Gesundheit des Bedieners könnte.
- Stellen Sie während des Betrieb und der Wartung sicher, dass alle schädlichen Abfallprodukte (Öl, Fett usw.) ordnungsgemäß entsorgt werden.
- Halten Sie den Lärmpegel zur Reduzierung der Lärmbelästigung gering.

Weitere Informationen zur korrekten Deinstallation unserer Produkte entnehmen Sie bitte den Recycling-Anleitungen auf www.dometic.com.

- Geben Sie das Verpackungsmaterial möglichst in den entsprechenden Recycling-Müll.
- Achten Sie im Betrieb sowie bei Reparaturen und Wartungsarbeiten darauf, dass der Kühlkreislauf nicht beschädigt wird und das Kältemittel nicht entweichen kann. Es wirkt als Treibhausgas und sollte nicht in die Umwelt gelangen.



Wenn Sie das Produkt endgültig außer Betrieb nehmen, informieren Sie sich bitte beim nächsten Recyclingcenter oder bei Ihrem Fachhändler über die zutreffenden Entsorgungsvorschriften.

- Entsorgen Sie das Produkt nur entsprechend der geltenden Recycling- oder Entsorgungsvorschriften bei einem autorisierten Entsorgungsunternehmen.



Schützen Sie Ihre Umwelt!

Akkus und Batterien gehören nicht in den Hausmüll.

Geben Sie bitte Ihre defekten Akkus oder verbrauchten Batterien beim Händler oder bei einer Sammelstelle ab.

10 Technische Daten

	FreshWell 3000
Art.-Nr.:	9105306670
Kühlleistung gemäß ISO 5151:	2700 W
Heizleistung:	3000 W (2500 W + 500 W zusätzliches Heizelement)
Eingangsnennspannung:	230 V~ / 50 Hz
Stromaufnahme:	Kühlen: 4,3 A Heizen: 4,8 A
Benötigte Sicherung:	5 A
Betriebstemperaturbereich:	0 °C bis +52 °C
Kühlmittel:	R-410A
Kühlmittelmenge:	0,6 kg
CO ₂ -Äquivalent:	1,2528 t

		FreshWell 3000
Treibhauspotential (GWP):	2088	
Zusätzliches Heizelement:	500 W	
Gebläse:	3 Gebläsestufen 1 Automatikmodus	
Schutzklasse:	IP X5	
Max. Raumvolumen des Fahrzeugs (mit isolierten Wänden):	30 m ³	
Abmessungen L x B x H:	628 x 400 x 286 mm	
Gewicht:	ca. 21 kg	
Prüfung/Zertifikat:		

Enthält fluoridierte Treibhausgase

Hermetisch geschlossene Einrichtung

Veillez lire attentivement cette notice avant le montage et la mise en service. Veillez ensuite la conserver. En cas de passer le produit, veuillez le transmettre au nouvel acquéreur.

Table des matières

1	Explication des symboles	33
2	Consignes de sécurité et instructions de montage	34
3	Groupe cible de cette notice	36
4	Pièces fournies	36
5	Usage conforme	37
6	Plaquettes de spécifications	37
7	Montage	38
8	Dépannage	44
9	Elimination	46
10	Caractéristiques techniques	47

1 Explication des symboles



AVERTISSEMENT !

Consigne de sécurité : le non-respect de ces consignes peut entraîner la mort ou de graves blessures.



ATTENTION !

Consigne de sécurité : le non-respect de ces consignes peut entraîner des blessures.



AVIS !

Le non-respect de ces consignes peut entraîner des dommages matériels et des dysfonctionnements du produit.



REMARQUE

Informations complémentaires sur l'utilisation du produit.

2 Consignes de sécurité et instructions de montage

Respectez les consignes de sécurité et autres prescriptions imposées par le fabricant du véhicule et par les professionnels de l'automobile !

Le fabricant décline toute responsabilité pour des dommages dans les cas suivants :

- des influences mécaniques et des surtensions ayant endommagé le matériel
- des modifications apportées au produit sans autorisation explicite de la part du fabricant
- une utilisation différente de celle décrite dans la notice

Lors de l'utilisation d'appareils électriques, les consignes générales de sécurité suivantes doivent être respectées afin d'éviter

- une décharge électrique,
- un incendie,
- des blessures.

2.1 Précautions d'usage



AVERTISSEMENT !

- Le montage et les réparations du climatiseur de coffre doivent être effectués par un personnel qualifié et parfaitement informé des dangers et règlements spécifiques à ces manipulations. Toute réparation mal effectuée risquerait d'entraîner de graves dangers. Si des réparations sont nécessaires, adressez-vous à la filiale chargée du service après-vente dans votre pays (adresses au dos de la notice).
- **Les appareils électriques ne sont pas des jouets pour enfants !**
Les enfants ne peuvent estimer les dangers éventuels des appareils électriques. Ne laissez pas les enfants utiliser des appareils électriques sans surveillance.
- Ne laissez aucune personne incapable d'utiliser l'appareil en toute sécurité, en raison de déficiences physiques, sensorielles ou mentales ou de son manque d'expérience ou de connaissances, utiliser cet appareil sans surveillance.
- En cas d'incendie, n'utilisez que des extincteurs ou agents d'extinction autorisés. N'essayez pas d'éteindre l'incendie avec de l'eau.

**ATTENTION !**

- Le climatiseur de coffre doit être installé de manière à ce qu'il ne puisse pas tomber !
- Ne faites fonctionner le climatiseur de coffre que si le boîtier et les lignes sont intacts !
- N'utilisez pas le climatiseur de coffre à proximité de liquides inflammables.
- Veillez à ce qu'aucun objet inflammable ne soit entreposé ni monté dans la zone de sortie de l'air. Il convient de maintenir une distance de 50 cm minimum.
- Ne glissez pas les doigts dans les sorties d'air et n'introduisez aucun objet à l'intérieur de l'appareil.

**AVIS !**

- Utilisez l'appareil conformément à l'usage pour lequel il a été conçu.
- Le climatiseur de coffre n'est pas conçu pour être utilisé dans des machines agricoles ou de construction.
- Ne procédez à aucune modification ni transformation de l'appareil.
- Si des défauts apparaissent dans le circuit frigorifique du climatiseur, ce dernier doit être contrôlé et remis en état par une entreprise spécialisée. Tout échappement du fluide frigorigène dans l'atmosphère est formellement interdit.

2.2 Précautions concernant les lignes électriques

**AVERTISSEMENT !**

- Seule une entreprise qualifiée est autorisée à effectuer le raccordement électrique conformément aux normes correspondantes (p. ex. dans le cas de l'Allemagne, il s'agit de la norme VDE 0100, Teil 721).

**ATTENTION !**

- Posez et fixez les lignes électriques de manière à ce que les câbles ne puissent pas être endommagés et à ce que personne ne risque de trébucher dessus.

**AVIS!**

- Si les lignes électriques doivent traverser des parois à arêtes vives, utilisez des tubes vides ou des passe-câbles.
- Ne faites passer aucune ligne électrique non fixée ou fortement cou-dée sur des matériaux conducteurs (métal).
- Ne tirez pas sur les lignes électriques.

3 Groupe cible de cette notice

Cette notice s'adresse au personnel qualifié, travaillant dans des ateliers, informé des directives et des consignes de sécurité à appliquer.

4 Pièces fournies

N° dans fig. 1	Nombre	Désignation
1	1	Climatiseur de coffre
2	1	Télécommande
3	1	Récepteur
4	4	Filtre à air
5	2	Cornière de fixation
6	4	Étrier de fixation
7	14	Vis de fixation
8	2	Tuyau d'évacuation
9	2	Grille extérieure
-	1	Gabarit d'installation

5 Usage conforme

Le climatiseur de coffre Dometic FreshWell 3000 (n° d'article 9105306670) est exclusivement conçu pour les camping-cars, caravanes et autres véhicules contenant des pièces d'habitation. Il **ne convient pas** aux maisons ou appartements.

Le climatiseur de coffre **ne convient pas** aux engins de construction, aux machines agricoles ou autres engins de travail similaires. Le fonctionnement correct du climatiseur n'est pas garanti en cas de vibrations excessives.

Le fonctionnement de FreshWell 3000 est garanti pour des températures comprises entre 0 °C et 52 °C.



REMARQUE

Vous trouverez dans le manuel d'utilisation d'autres informations concernant le climatiseur de coffre, tels que la description technique et l'exploitation conforme.

6 Plaquettes de spécifications

Le climatiseur de coffre Dometic FreshWell porte des plaquettes de spécifications. Elles informent l'installateur et l'utilisateur sur les spécifications de l'appareil.

7 Montage



ATTENTION ! Risque de blessures !

Seule une entreprise spécialisée possédant le savoir-faire nécessaire est habilitée à effectuer le montage du climatiseur de coffre. Les informations suivantes sont destinées à un personnel qualifié, informé des directives et des consignes de sécurité à appliquer.

7.1 Consignes de sécurité concernant le montage

Les instructions de montage doivent être lues dans leur intégralité avant le montage du climatiseur de coffre.

Lors du montage du climatiseur, les consignes et conseils suivants doivent être respectés :



DANGER ! Danger de mort par électrocution !

Coupez toutes les tensions électriques pendant les travaux sur le climatiseur.



ATTENTION ! Risque de blessures !

- Un montage non conforme du climatiseur peut endommager l'appareil de manière irréversible et mettre en danger la sécurité de l'utilisateur.
- Si le climatiseur n'est pas installé conformément aux instructions de montage décrites dans ce manuel, le fabricant décline toute responsabilité en cas de dysfonctionnements, de problèmes de sécurité liés au climatiseur et en particulier d'accidents matériels ou de personnes.
- Pour tous les travaux, vous devez porter les vêtements de protection obligatoires (p.ex. lunettes et gants de protection).



AVIS ! Risque d'endommagement !

Lors du montage du climatiseur, vérifiez en permanence la stabilité statique du véhicule et l'étanchéité des ouvertures percées pendant les travaux.

Consignes relatives au transport

- Portez toujours le climatiseur de coffre à deux.
- Pour déplacer le climatiseur de coffre, soulevez-le toujours, et ne le faites pas glisser sur le sol (fig. **2 A**).
- N'utilisez pas pour le soulever les fentes d'aération (fig. **2 B**).

Consignes relatives au lieu de montage

- En vue de l'installation du climatiseur de coffre, des alésages doivent être effectués dans le plancher. Ces alésages doivent être facilement accessibles et ne pas être recouverts par des composants du véhicule.
- Avant le montage, vérifiez si certains éléments du véhicule (p.ex. éclairages, armoires, portes, etc.) ne risquent pas d'être endommagés par le montage du climatiseur de coffre.
- Veillez à ce qu'aucun objet inflammable ne soit entreposé ni monté dans la zone de sortie de l'air. Une distance de 50 cm minimum doit être respectée.
- L'inclinaison de la surface de montage ne doit pas dépasser 10°.
- Pour des raisons de sécurité, faites attention lors de l'installation du climatiseur (opérations de perçage, de vissage, etc.) à la position des faisceaux de câbles, conduites et autres éléments, éventuellement encastrés et invisibles, qui se trouvent dans la zone de montage.
- Installez le climatiseur de coffre afin de garantir une climatisation optimale du véhicule, c.-à-d. positionné de façon centrale dans un compartiment ou tout autre dispositif similaire.
- Choisissez un endroit facilement accessible pour les travaux d'entretien ainsi que pour le montage et démontage de l'appareil.
- Placez le gabarit d'installation dans le compartiment choisi et vérifiez qu'il y ait assez de place pour les alésages dans le plancher.
- Afin de minimiser le bruit et la transmission des vibrations, il convient de respecter une distance d'environ 30 mm entre le climatiseur de coffre et toute paroi ou meuble.
- L'appareil doit être installé sur le plancher.
- Laissez une distance de 200 mm entre le devant de l'appareil et les côtés du compartiment afin de faciliter le rechange des filtres.
- En cas de montage de l'appareil dans un compartiment se trouvant en dehors du véhicule (p. ex. double plancher), l'air à traiter doit être aspiré depuis l'intérieur du véhicule.
- L'aspiration d'air extérieur peut diminuer les performances de l'installation.

Consignes de sécurité concernant les circuits électriques (voir fig. 13)

N° dans fig. 13	Désignation
1	Moteur du ventilateur (interne)
2	Moteur du ventilateur (externe)
3	Condenseur
4	Compresseur
5	Capteur de température
6	Platine
7	Écran platine
8	Interface PCB
9	Démarrage progressif
10	Vanne
11	Résistance

- Ne faites effectuer le raccordement électrique du climatiseur de coffre que par un spécialiste.
- Vérifiez que la tension indiquée sur la plaque signalétique correspond à l'alimentation électrique dont vous disposez.
- Ne faites pas passer de lignes électriques non fixées ou fortement coudées sur des matériaux conducteurs (métal).
- Installez du côté montage un disjoncteur universel d'une ouverture de contact d'au moins 3 mm.

7.2 Création des alésages

Voir fig. 3

- Dessinez la position et la taille des alésages à l'aide du gabarit contenu dans l'emballage **(A et B)**.

Voir fig. 4

- Percez les angles **(A)**.
- Découpez soigneusement l'ouverture sur le toit avec une scie sauteuse ou un outil similaire **(B)**.
Veillez à ne pas endommager de câbles électriques pendant cette opération.
- Percez un alésage d'écoulement pour l'eau de condensation, d'un diamètre de 32 mm **(C)**.

Voir fig. 5

- Marquez la position pour l'équerre de fixation **(A)** et les étriers de fixation **(B)**.

7.3 Fixation de l'étrier de fixation et des sangles

Voir fig. 6

- Fixez les quatre étriers de fixation **(A)**.
- Faites passer les sangles dans les étriers de fixation **(B)**.
- Montez les tuyaux d'évacuation sous le climatiseur de coffre **(C)**.
- Fixez le climatiseur de coffre à l'aide des sangles **(D)**.

7.4 Fixation de l'équerre de fixation

Voir fig. 7

- Fixez le climatiseur de coffre à l'aide des deux équerres de fixation et trois vis de fixation par équerre.

7.5 Fixation de la grille extérieure

Voir fig. 8

- Fixez la grille extérieure comme illustré avec les vis et rondelles fournies à la livraison.

7.6 Fixation du récepteur

Voir fig. 9

- Percez un alésage de 50 mm dans la paroi.

Voir fig. 10

- Faites passer le câble à raccorder au climatiseur de coffre dans l'alésage.
- Fixez le récepteur tel qu'indiqué.

7.7 Pose des lignes de raccordement



DANGER ! Danger de mort par électrocution !

Avant tout travail sur les éléments fonctionnant à l'électricité, assurez-vous qu'ils ne sont plus sous tension !

Le climatiseur de coffre doit être relié à un circuit électrique capable de fournir le courant nécessaire (voir chapitre « Caractéristiques techniques », page 47).

- Choisissez la section du câble en fonction de sa longueur :
 - longueur < 7,5 m : 1,5 mm²
 - longueur > 7,5 m : 2,5 mm²

Voir fig. 11

- Branchez le connecteur à 4 pôles du récepteur à la douille IR du climatiseur de coffre (1).
- Branchez le connecteur 230 V~ (2) à une prise 230 V~.

7.8 Ligne de ventilation

Voir fig. 12

Effectuez les raccords de ventilation avec les canaux au moyen de composants courants dans le commerce (**non** compris dans la livraison). Il est recommandé d'utiliser des tubes de carton pour climatiseurs, à revêtement intérieur en aluminium et gaine extérieure en PVC. Le diamètre intérieur nominal de ces tubes devrait être de 60 mm, et le diamètre extérieur de 65 mm.

Les tubes de ventilation sont reliés par pression, à l'aide de l'alésage conique à la sortie d'air.

Les tuyaux sont raccordés à la sortie de registre.

Pour une performance optimale, il est conseillé de :

- positionner les lignes de ventilation en ligne aussi courte et droite que possible,
- limiter la longueur des tubes à max. 5 m,
- ne pas placer les tubes à proximité de sources de chaleur.

L'air circulant est aspiré au travers de la grille ou d'autres ouvertures d'une section prévue pour un débit d'air de 300 cm² minimum. L'ouverture de circulation d'air doit se trouver à proximité de l'appareil. Si cela n'est possible, la ligne de ventilation de doit pas être gênée par des objets ; placez le cas échéant un canal d'air entre l'ouverture et l'appareil.



REMARQUE

Isolez les tuyaux avec un matériau isolant adapté (non compris dans la livraison) pour éviter la condensation sur les tuyaux.

L'air circulant doit être obtenu depuis l'intérieur du véhicule ; l'amenée d'air extérieur peut nuire à la performance de l'appareil.

8 Dépannage

Dysfonctionnement	Cause	Solution
Pas de puissance frigorifique	Le climatiseur de toit n'est pas en mode de refroidissement.	➤ Mettez le climatiseur de coffre en mode refroidissement.
	La température ambiante est supérieure à 52 °C.	Le climatiseur de coffre est conçu uniquement pour une température ambiante inférieure ou égale à 52 °C.
	La température réglée est supérieure à la température ambiante.	➤ Sélectionnez une température plus basse.
	La température ambiante est inférieure à 16 °C.	Le climatiseur de coffre est conçu uniquement pour une température ambiante supérieure ou égale à 16 °C.
	La protection thermique est défectueuse. Le compresseur est endommagé. Le niveau de réfrigérant est insuffisant. Le registre de l'échangeur thermique est sali. La soufflerie externe est défectueuse.	➤ Prenez contact avec un atelier spécialisé.
Pas de chauffage	Le climatiseur de coffre n'est pas en mode de chauffage.	➤ Mettez le climatiseur de coffre en mode chauffage.
	La température ambiante est inférieure à 0 °C.	Le climatiseur de coffre est conçu uniquement pour une température ambiante supérieure ou égale à 0 °C.
	La température réglée est inférieure à la température ambiante.	➤ Sélectionnez une température plus élevée.
	La température ambiante est supérieure à 31 °C.	La température est réglable entre 16 °C et 31 °C.
	La protection thermique est défectueuse. Le compresseur est endommagé. Le niveau de réfrigérant est insuffisant. Le registre de l'échangeur thermique est sali. La soufflerie externe est défectueuse.	➤ Prenez contact avec un atelier spécialisé.

Dysfonctionnement	Cause	Solution
Mauvaise ventilation	Le filtre à air est bouché.	➤ Nettoyez le filtre à air.
	Le registre de l'échangeur thermique est sali.	➤ Prenez contact avec un atelier spécialisé.
	La soufflerie interne est défectueuse.	
Infiltration d'eau dans le véhicule	Les ouvertures d'écoulement d'eau de condensation sont bouchées.	➤ Nettoyez les ouvertures d'écoulement d'eau de condensation.
	Les joints sont défectueux.	➤ Prenez contact avec un atelier spécialisé.
Le climatiseur de coffre ne se met pas en marche.	Il n'y a pas de tension électrique (230 V~).	➤ Contrôlez l'alimentation en tension.
	La tension est trop faible (moins de 200 V~).	➤ Prenez contact avec un atelier spécialisé.
	Le transformateur de tension est défectueux.	
	La protection thermique est défectueuse.	
	La protection par fusible de l'alimentation en tension est trop faible.	➤ Vérifiez les fusibles de l'alimentation en tension.
Le climatiseur de coffre s'arrête.	Le filtre à air est bouché.	➤ Nettoyez le filtre à air.
	La tension est trop faible (moins de 200 V~).	➤ Prenez contact avec un atelier spécialisé.
	Le transformateur de tension est défectueux.	
	La protection thermique est défectueuse.	
	Le ventilateur du condensateur est défectueux.	
	Le registre de l'échangeur thermique est sali.	
	La soufflerie externe est défectueuse.	
Le climatiseur de coffre ne s'arrête pas.	L'un des capteurs de température est défectueux.	➤ Prenez contact avec un atelier spécialisé.

9 Elimination

Directives de protection de l'environnement et élimination conforme

Toutes les organisations doivent appliquer une série de mesures visant à détecter, évaluer et contrôler l'influence que leurs activités (fabrication, produits, service après-vente, etc.) ont sur l'environnement.

Les mesures à suivre pour la détection d'effets importants sur l'environnement doivent prendre en compte les facteurs suivants :

- Utilisation de matières premières et de ressources naturelles
- Émissions dans l'atmosphère
- Écoulement de liquides
- Élimination et recyclage
- Contamination du sol

Afin de minimiser les effets sur l'environnement, le fabricant présente ci-dessous une série de consignes que toute personne interagissant avec l'appareil pendant la durée de vie de celui-ci (pour quelque raison que ce soit) doit prendre en compte.

- Tous les matériaux d'emballage doivent être éliminés (de préférence recyclés) conformément aux directives légales en vigueur dans le pays où l'élimination a lieu.
- Tous les composants du produit doivent être éliminés (de préférence recyclés) conformément aux directives légales en vigueur dans le pays où l'élimination a lieu.
- Pour une élimination correcte, l'appareil doit être transmis à un centre de recyclage, afin que tous les composants recyclables puissent être réutilisés et que les matériaux restants soient traités de manière conforme.
- Pendant l'installation, assurez-vous que l'habitable est suffisamment aéré pour éviter la formation d'air vicié, qui pourrait être nocif pour la santé de l'utilisateur.
- Pendant l'utilisation et l'entretien, assurez-vous que les déchets toxiques (huile, graisse, etc.) sont éliminés de manière conforme.
- Afin de réduire les nuisances sonores, minimisez le niveau sonore.

Vous trouverez de plus amples informations concernant le démantèlement correct de nos produits dans les instructions de recyclage disponibles sur www.dome-tic.com.

- Jetez les emballages dans les conteneurs de déchets recyclables prévus à cet effet.
- Lors de l'exploitation ainsi que des réparations et des travaux de maintenance, veillez à ce que le circuit de refroidissement ne soit pas endommagé et que le fluide frigorigène ne puisse s'échapper. Il s'agit d'un gaz à effet de serre, qui ne doit pas parvenir dans l'atmosphère.



Lorsque vous mettez le produit définitivement hors service, informez-vous auprès du centre de recyclage le plus proche ou auprès de votre revendeur spécialisé sur les prescriptions relatives à la récupération des déchets.

- Éliminez le produit en vous conformant uniquement aux directives de recyclage ou d'élimination en vigueur, auprès d'une entreprise de recyclage agréée.

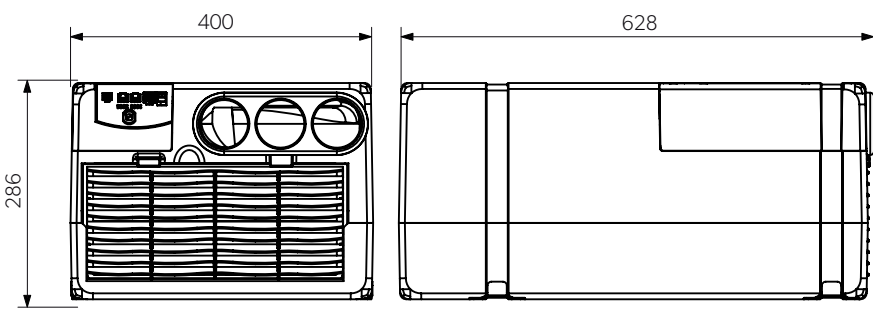


Protégez l'environnement !

Les piles et les batteries usagées ne sont pas des déchets ménagers. Rapportez les piles défectueuses ou les batteries usagées à votre revendeur ou à un centre de collecte.

10 Caractéristiques techniques

	FreshWell 3000
N° de produit :	9105306670
Puissance frigorifique selon ISO 5151 :	2700 W
Puissance calorifique :	3000 W (2500 W + 500 W élément chauffant supplémentaire)
Tension nominale d'entrée :	230 V~ / 50 Hz
Intensité absorbée :	Refroidissement : 4,3 A Chauffage : 4,8 A
Fusible requis :	5 A
Plage de température de fonctionnement :	0 °C à +52 °C
Frigorigène :	R-410A

	FreshWell 3000
Quantité de fluide frigorigène :	0.6 kg
Équivalent CO ₂ :	1,2528 t
Potentiel d'effet de serre (GWP) :	2088
Élément chauffant supplémentaire :	500 W
Ventilateur :	3 niveaux de soufflerie 1 mode automatique
Type de protection :	IP X5
Volume max. de l'habitacle du véhicule (avec parois isolées) :	30 m ³
Dimensions L x l x h (mm) :	628 x 400 x 286
	
Poids :	env. 21 kg
Contrôle/certificat :	CE

Contient des gaz à effet de serre fluorés

Équipement hermétiquement scellé

Lea detenidamente estas instrucciones antes de llevar a cabo la instalación y puesta en funcionamiento, y consérvelas en un lugar seguro. En caso de vender o entregar el producto a otra persona, entregue también estas instrucciones.

Índice

1	Aclaración de los símbolos	50
2	Indicaciones de seguridad y para el montaje	50
3	Destinatarios de estas instrucciones	52
4	Volumen de entrega	53
5	Uso adecuado	53
6	Placas de identificación	54
7	Montaje	54
8	Solución de averías	60
9	Gestión de residuos	62
10	Datos técnicos	63

1 Aclaración de los símbolos

**¡ADVERTENCIA!**

Indicación de seguridad: su incumplimiento puede acarrear la muerte o graves lesiones.

**¡ATENCIÓN!**

Indicación de seguridad: su incumplimiento puede acarrear lesiones.

**¡AVISO!**

Su incumplimiento puede acarrear daños materiales y perjudicar el correcto funcionamiento del producto.

**NOTA**

Información adicional para el manejo del producto.

2 Indicaciones de seguridad y para el montaje

Tenga en cuenta las indicaciones de seguridad y la documentación suministrada por el fabricante y el taller del vehículo.

El fabricante declina toda responsabilidad ante daños ocurridos en los siguientes casos:

- daños en el producto debido a influencias mecánicas y sobretensiones
- modificaciones realizadas en el producto sin el expreso consentimiento del fabricante
- utilización del aparato para fines distintos a los descritos en las instrucciones

Al utilizar los aparatos eléctricos, respete las siguientes normas básicas de seguridad para protegerse de:

- descargas eléctricas
- peligro de incendio
- lesiones

2.1 Manipulación del aparato



¡ADVERTENCIA!

- Sólo personal técnico que conozca los posibles peligros y las normas correspondientes tiene autorización para realizar las tareas de instalación y la reparación del equipo de aire acondicionado de cajón. Las reparaciones que se realicen incorrectamente pueden dar lugar a situaciones de considerable peligro. En caso de reparaciones, diríjase al punto de atención al cliente de su país (direcciones al dorso).
- **Los aparatos eléctricos no son juguetes.**
Los niños no tienen capacidad de percibir los peligros que representan los aparatos eléctricos. No deje que los niños usen aparatos eléctricos sin estar bajo su vigilancia.
- Las personas que, debido a sus condiciones físicas, sensoriales o mentales, a su falta de experiencia o de conocimientos no puedan utilizar el aparato de forma segura, no tienen permitido utilizar este aparato sin la vigilancia e instrucciones de una persona sobre la que recaiga tal responsabilidad.
- En caso de incendio solo se pueden utilizar medios de extinción autorizados. No utilice agua para extinguir el fuego.



¡ATENCIÓN!

- Instale el equipo de aire acondicionado de cajón de forma segura para evitar que se pueda caer.
- Use el equipo de aire acondicionado de cajón solo cuando la carcasa y los cables no presenten daños.
- No utilice el equipo de aire acondicionado de cajón cerca de fluidos inflamables.
- Asegúrese de que no haya objetos inflamables situados o instalados en el área de salida de aire. La distancia debe ser como mínimo de 50 cm.
- No introduzca las manos en las salidas de ventilación, ni inserte objetos extraños en el equipo.

**¡AVISO!**

- Utilice el aparato solo para aquellos fines para los que ha sido concebido.
- Este equipo de aire acondicionado de cajón no está concebido para su uso en maquinaria agrícola ni de construcción.
- No realice cambios o modificaciones en el aparato.
- Si se producen fallos en el circuito de refrigerante, un taller especializado debe comprobar el equipo y repararlo según las normativas. Nunca se debe dejar salir refrigerante a la atmósfera.

2.2 Manipulación de los cables eléctricos

**¡ADVERTENCIA!**

- Solo puede realizar la conexión eléctrica un taller especializado (en Alemania, por ejemplo, VDE 0100, parte 721).

**¡ATENCIÓN!**

- Fije y tienda los cables de forma que no supongan un peligro de tropiezo ni puedan resultar dañados.

**¡AVISO!**

- Si los cables atraviesan paredes con bordes afilados, utilice conductos para cables o guías de cable.
- No coloque cables sueltos ni doblados en extremo sobre materiales conductores de electricidad (metales).
- No tire de los cables.

3 Destinatarios de estas instrucciones

Estas instrucciones van dirigidas al personal técnico de talleres familiarizado con las directivas y medidas de seguridad que se hayan de aplicar.

4 Volumen de entrega

N.º en fig. 1	Total	Denominación
1	1	Equipo de aire acondicionado de cajón
2	1	Control remoto
3	1	Receptor
4	4	Filtro de aire
5	2	Escuadra de sujeción
6	4	Estribo de sujeción
7	14	Tornillo de fijación
8	2	Tubo de desagüe
9	2	Rejilla exterior
–	1	Plantilla de instalación

5 Uso adecuado

El equipo de aire acondicionado de techo de Dometic FreshWell 3000 (n.º de artículo 9105306670) es adecuado únicamente para autocaravanas, caravanas y otros vehículos con estancias para vivir. **No** es adecuado para casas o viviendas.

El equipo de aire acondicionado de cajón **no** es apropiado para su instalación en maquinaria de construcción, en maquinaria agrícola o en maquinaria similar. En caso de que se produzcan vibraciones demasiado fuertes no se garantiza un funcionamiento correcto.

El funcionamiento del FreshWell 3000 está garantizado para temperaturas entre 0 °C y 52 °C.



NOTA

En las instrucciones de uso encontrará más información sobre los equipos de aire acondicionado de cajón como la descripción técnica o el manejo de éstos.

6 Placas de identificación

El equipo de aire acondicionado de cajón Dometic FreshWell lleva placas de identificación. Estas placas de identificación informan al usuario y al instalador sobre las especificaciones del aparato.

7 Montaje



¡ATENCIÓN! ¡Peligro de sufrir lesiones!

Solo personal técnico debidamente cualificado tiene permitido realizar el montaje del equipo de aire acondicionado de cajón. La siguiente información va dirigida a personal técnico familiarizado con las directivas y normativas de seguridad que se han de aplicar.

7.1 Indicaciones para el montaje

Lea íntegramente estas instrucciones de montaje antes de realizar el montaje del equipo de aire acondicionado de cajón.

Tenga en cuenta los siguientes consejos e indicaciones al montar el equipo de aire acondicionado de cajón:



¡PELIGRO! ¡Peligro de muerte por descarga eléctrica!

Desconecte siempre todas las alimentaciones de tensión para cualquier trabajo que vaya a realizar en el equipo de aire acondicionado de cajón.



¡ATENCIÓN! ¡Peligro de sufrir lesiones!

- Una instalación incorrecta del equipo de aire acondicionado puede provocar daños irreparables en el aparato y limitar la seguridad del usuario.
- Si el equipo de aire acondicionado de cajón no se ha instalado de acuerdo a estas instrucciones de montaje, el fabricante no asumirá ningún tipo de responsabilidad por fallos en el funcionamiento ni por la seguridad del equipo de aire acondicionado de techo ni, especialmente, por daños personales y/o materiales.
- Al realizar cualquier tarea, lleve el equipo de protección personal prescrito (p.ej. gafas de protección, guantes de protección).

**¡AVISO! Peligro de ocasionar daños materiales**

Durante el montaje del equipo de aire acondicionado de cajón, preste siempre atención a la estática del vehículo y al sellado de todas las aberturas realizadas.

Indicaciones para el transporte

- Transporte el equipo de aire acondicionado de cajón siempre con ayuda de otra persona.
- Para mover el equipo de aire acondicionado de cajón levántelo siempre y no lo arrastre por el suelo (fig. **2 A**).
- Para levantarlo no lo sujete por las ranuras de ventilación (fig. **2 B**).

Indicaciones relativas al lugar de montaje

- Para instalar el equipo de aire acondicionado de cajón se deben practicar aberturas en el suelo. Estas aberturas deben ser fácilmente accesibles y no deben quedar cubiertas por componentes del vehículo.
- Antes de instalar el equipo de aire acondicionado de cajón, compruebe si el montaje podría provocar daños en componentes del vehículo (por ejemplo, en lámparas, armarios o puertas).
- Asegúrese de que no haya objetos inflamables situados o montados en el área de salida de aire. La distancia debe ser como mínimo de 50 cm.
- La inclinación de la superficie de montaje no debe superar los 10°.
- Por motivos de seguridad, al montar el equipo de aire acondicionado de cajón (al realizar perforaciones, al atornillar, etc.) preste atención al recorrido de los mazos de cables, conducciones y otros componentes, especialmente cuando no estén a la vista, y a que se encuentren en la zona de montaje.
- Instale el equipo de aire acondicionado de cajón para una climatización óptima del vehículo en una posición central dentro de un compartimento o en un dispositivo semejante.
- Elija un lugar fácilmente accesible para realizar los trabajos de mantenimiento y para montar y desmontar el aparato.
- Coloque la plantilla de instalación en el compartimento elegido e inspeccione el espacio del que se dispone en el suelo para practicar las aberturas.
- Para minimizar la transmisión de ruido y vibraciones durante el funcionamiento, el equipo de aire acondicionado de cajón debe quedar a una distancia mínima de 30 mm respecto a paredes o muebles.
- El aparato se debe instalar en el suelo.

- Deje un espacio de 200 mm entre el frente y los laterales del compartimento para así facilitar el cambio del filtro.
- En el caso de montaje del aparato en un compartimento fuera del vehículo (por ejemplo, suelo doble) el aire a tratar se debe aspirar del habitáculo.
- La aspiración del aire exterior puede afectar considerablemente la potencia del equipo.

Indicaciones relativas al sistema eléctrico (véase fig. 13)

N.º en fig. 13	Denominación
1	Motor del ventilador (interior)
2	Motor del ventilador (exterior)
3	Condensador
4	Compresor
5	Sensor de temperatura
6	Pletina
7	Pletina para el display
8	Interfaz PCB
9	Arranque suave
10	Válvula
11	Resistencia

- La conexión eléctrica del equipo de aire acondicionado de cajón únicamente la puede realizar un técnico.
- Compare el valor de tensión indicado en la placa de características con el suministro de energía existente.
- Los cables no deben quedar sueltos ni muy doblados al colocarlos en materiales conductores de electricidad (metales).
- Monte en el lateral de montaje un interruptor multipolar con una abertura de contacto de por lo menos 3 mm.

7.2 Practicar las aberturas

Véase fig. 3

- Marque la posición y el tamaño de la abertura con ayuda de la plantilla incluida en la entrega (**A** y **B**).

Véase fig. 4

- Taladre las esquinas (**A**).
- Recorte cuidadosamente la abertura en el techo con una sierra de calar o una herramienta similar (**B**).
Al hacerlo, tenga cuidado de no dañar ningún cable eléctrico.
- Perfore una abertura de salida de 32 mm para el agua de condensación (**C**).

Véase fig. 5

- Marque la posición para la escuadra de fijación (**A**) y el estribo de fijación (**B**).

7.3 Fijar el estribo de fijación y las correas

Véase fig. 6

- Fije los cuatro estribos de sujeción (**A**).
- Pase las correas por el estribo de sujeción (**B**).
- Monte los tubos de desagüe debajo del equipo empotrable de aire acondicionado (**C**).
- Fije el equipo de aire acondicionado de cajón con las correas (**D**).

7.4 Fijar la escuadra de fijación

Véase fig. 7

- Fije el sistema de aire acondicionado de cajón con las dos escuadras de fijación y tres tornillos de fijación para cada una tal y como está representado.

7.5 Fijar la rejilla exterior

Véase fig. 8

- Fije la rejilla exterior tal y como se representa en la figura con los tornillos y arandelas incluidos en el volumen de entrega.

7.6 Fijar el receptor

Véase fig. 9

- ▶ Perfore una abertura de 50 mm en la pared.

Véase fig. 10

- ▶ Pase el cable por la abertura hasta el equipo de aire acondicionado de cajón.
- ▶ Fije el receptor como se indica a continuación.

7.7 Tendido de cables de conexión



¡PELIGRO! ¡Peligro de muerte por descarga eléctrica!

Antes de realizar trabajos en componentes que funcionan con electricidad, asegúrese de que no haya tensión eléctrica.

El equipo de aire acondicionado de cajón debe conectarse a un circuito eléctrico capaz de suministrar la corriente necesaria (véase capítulo "Datos técnicos" en la página 63).

- ▶ Seleccione la sección de cable conforme a su longitud:
 - Longitud < 7,5 m: 1,5 mm²
 - Longitud > 7,5 m: 2,5 mm²

Véase fig. 11

- ▶ Introduzca la clavija de 4 polos del receptor en el conector IR del equipo de aire acondicionado de cajón (1).
- ▶ Introduzca el enchufe de 230 V~ (2) en una toma de 230 V~.

7.8 Conducción de aire

Véase fig. 12

Lleve a cabo la conducción de aire con canales hechos de componentes habituales en el comercio (**no** incluidos en el volumen de entrega). Se recomienda utilizar tubos de cartón para equipos de aire acondicionado con revestimiento interior de aluminio y revestimiento exterior de PVC. El diámetro interior nominal de estos tubos debe ser de 60 mm y el exterior de 65 mm.

Los tubos de ventilación se unen a través de la abertura esférica situada en la salida de aire presionándolos.

Los tubos se conectan en la salida del registro.

Para obtener un rendimiento óptimo se recomienda:

- tender las conducciones de aire lo más cortas y rectas posible
- limitar la longitud de los tubos a un máximo de 5 m
- no tender los tubos en las cercanías de fuentes de calor

El aire de circulación se aspira a través de una rejilla u otras aberturas con una sección dimensionada para un caudal de aire de por lo menos 300 cm². La abertura del aire de circulación se debe colocar cerca del aparato. Si esto no fuera posible, la conducción de aire no debe quedar obstruida por ningún objeto; en caso necesario, instale un canal de aire entre la abertura y el aparato.



NOTA

Aísle los tubos con material de aislamiento adecuado (no incluidos en el volumen de entrega) para evitar que se produzca condensación en su interior.

El aire de circulación se debe extraer del habitáculo del vehículo; con alimentación de aire exterior el rendimiento del aparato puede verse considerablemente afectado.

8 Solución de averías

Avería	Causa	Solución
No se produce enfriamiento	El equipo de aire acondicionado de cajón no está en modo "Enfriar".	► Ponga el equipo de aire acondicionado de cajón en modo "Enfriar".
	La temperatura ambiente es superior a 52 °C.	El equipo de aire acondicionado de cajón está concebido para una temperatura ambiente hasta 52 °C.
	La temperatura ajustada es mayor que la temperatura ambiente.	► Seleccione una temperatura inferior.
	La temperatura ambiente es inferior a 16 °C.	El equipo de aire acondicionado de cajón está concebido para una temperatura ambiente a partir de 16 °C.
	La protección contra calor está averiada.	► Dirjase a un taller autorizado.
	El compresor está dañado. El nivel de refrigerante es insuficiente. El registro del intercambiador de calor está sucio. El ventilador exterior está averiado.	
No calienta	El equipo empotrable de aire acondicionado no está ajustado al modo calefacción.	► Ajuste el equipo empotrable de aire acondicionado al modo calefacción.
	La temperatura ambiente es inferior a 0 °C.	El equipo empotrable de aire acondicionado está concebido para una temperatura ambiente superior a 0 °C.
	La temperatura ajustada es inferior a la temperatura ambiente.	► Seleccione una temperatura superior.
	La temperatura ambiente es superior a 31 °C.	La temperatura se puede ajustar entre 16 °C y 31 °C.
	La protección contra calor está averiada.	► Dirjase a un taller autorizado.
	El compresor está dañado. El nivel de refrigerante es insuficiente. El registro del intercambiador de calor está sucio. El ventilador exterior está averiado.	

Avería	Causa	Solución
Poca potencia de aire	El filtro de aire está atascado.	➤ Limpie el filtro de aire.
	El registro del intercambiador de calor está sucio.	➤ Diríjase a un taller autorizado.
	El ventilador interior está averiado.	
Entrada de agua en el vehículo	Las aberturas de salida para el agua de condensación están atascadas.	➤ Límpielas.
	Las juntas están dañadas.	➤ Diríjase a un taller autorizado.
El equipo de aire acondicionado de cajón no se enciende	No hay tensión de alimentación (230 V~).	➤ Controle la alimentación de tensión.
	La tensión es demasiado baja (por debajo de 200 V~).	➤ Diríjase a un taller autorizado.
	El transformador de tensión está averiado.	
	La protección contra calor está averiada.	
	La protección eléctrica de la alimentación de tensión es escasa.	➤ Compruebe la protección eléctrica de la alimentación de tensión.
El equipo de aire acondicionado de cajón deja de funcionar	El filtro de aire está atascado.	➤ Limpie el filtro de aire.
	La tensión es demasiado baja (por debajo de 200 V~).	➤ Diríjase a un taller autorizado.
	El transformador de tensión está averiado.	
	La protección contra calor está averiada.	
	El ventilador del condensador está dañado.	
	El registro del intercambiador de calor está sucio.	
	El ventilador exterior está averiado.	
El equipo de aire acondicionado de cajón no se apaga	Uno de los sensores de temperatura está averiado.	➤ Diríjase a un taller autorizado.

9 Gestión de residuos

Normas de protección del medio ambiente y gestión adecuada de residuos

Todas las organizaciones deben adoptar una serie de medidas para identificar, evaluar y controlar la influencia que sus actividades (fabricación, productos, servicios y demás) ejercen sobre el medio ambiente.

Las medidas a seguir para detectar repercusiones importantes en el medio ambiente deben tener en cuenta los siguientes factores

- Empleo de materias primas y recursos naturales
- Emisiones atmosféricas
- Derrames de fluidos
- Gestión de residuos y reciclaje
- Contaminación del suelo

Para minimizar las repercusiones en el medio ambiente, el fabricante presenta a continuación una serie de indicaciones que deberán ser tenidas en cuenta por todas aquellas personas que (por el motivo que sea) interactúen con el aparato durante el transcurso de su vida útil.

- Todo el material de embalaje debe descartarse (de preferencia reciclándose) conforme a las normas legales del país donde se realice la gestión de residuos.
- Todos los componentes del producto deben descartarse (de preferencia reciclándose) conforme a las normas legales del país donde se realice la gestión de residuos.
- Para una correcta gestión de residuos, el aparato debe entregarse en un centro de reciclaje autorizado para asegurarse de que se reutilicen todos los componentes reciclables y que el resto de los materiales se deseche según las normativas.
- Asegúrese durante la instalación de que el habitáculo reciba ventilación suficiente para evitar la acumulación de aire viciado que podría resultar perjudicial para la salud del usuario.
- Asegúrese durante el uso y el mantenimiento de que todos los efluentes nocivos (aceite, grasa y demás) se descarten según las normativas.
- Mantenga el nivel de ruido bajo para reducir la contaminación sonora.

En nuestra página web www.dometic.com encontrará más informaciones acerca de la correcta desinstalación de nuestros productos.

- Deseche el material de embalaje en el contenedor de reciclaje correspondiente.
- Controle tanto durante el funcionamiento como en el transcurso de reparaciones y trabajos de mantenimiento que el circuito de refrigeración no esté dañado y que no puedan producirse fugas de refrigerante. Éste actúa como gas de efecto invernadero y no debería entrar en contacto con el medio ambiente.



Cuando vaya a desechar definitivamente el producto, infórmese en el centro de reciclaje más cercano o en un comercio especializado sobre las normas pertinentes de gestión de residuos.

- Descarte el producto únicamente de acuerdo con las normas válidas de reciclaje o gestión de residuos en una empresa autorizada de gestión de residuos.



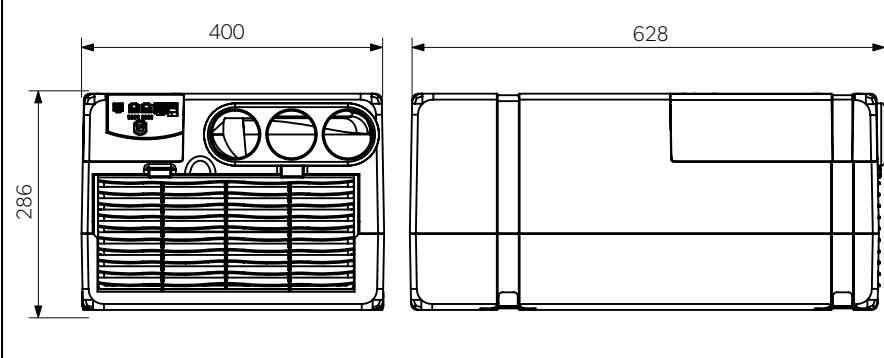
¡Proteja el medio ambiente!

Las baterías y pilas no son basura doméstica.

Entregue las baterías defectuosas o las pilas vacías en un establecimiento o deposítelas en un contenedor especializado.

10 Datos técnicos

	FreshWell 3000
Art. n.º:	9105306670
Potencia de refrigeración conforme a ISO 5151:	2700 W
Potencia calorífica:	3000 W (2500 W + 500 W elemento calefactor adicional)
Tensión nominal de entrada:	230 V~ / 50 Hz
Consumo de corriente:	Enfriar: 4,3 A Calentar: 4,8 A
Fusibles necesarios:	5 A
Rango de temperatura de funcionamiento:	de 0 °C a +52 °C
Refrigerante:	R-410A
Cantidad de refrigerante:	0,6 kg

	FreshWell 3000
Equivalente a CO ₂ :	1,2528 t
Índice GWP:	2088
Elemento calefactor adicional:	500 W
Ventilador:	3 niveles de ventilador 1 modo automático
Clase de protección:	IP X5
Volumen máx. de habitáculo del vehículo (con paredes aisladas):	30 m ³
Dimensiones L x A x H (mm):	628 x 400 x 286
	
Peso:	Aprox. 21 kg
Homologación/Certificados:	CE

Contiene gases de efecto invernadero fluorados

Aparato sellado herméticamente

Por favor, leia atentamente este manual antes da montagem e colocação em funcionamento do aparelho e guarde-o em local seguro. Em caso de transmissão do produto, entregue o manual ao novo utilizador.

Índice

1	Explicação dos símbolos	65
2	Indicações de segurança e de montagem	66
3	Destinatários do presente manual	68
4	Material fornecido.	68
5	Utilização adequada	69
6	Chapas de características.	69
7	Montagem.	70
8	Resolução de falhas.	76
9	Eliminação	78
10	Dados técnicos	80

1 Explicação dos símbolos



AVISO!

Indicação de segurança: o incumprimento pode provocar a morte ou ferimentos graves.



PRECAUÇÃO!

Indicação de segurança: o incumprimento pode provocar ferimentos.



NOTA!

O incumprimento pode causar danos materiais e pode prejudicar o funcionamento do produto.



OBSERVAÇÃO

Informações suplementares sobre a operação do produto.

2 Indicações de segurança e de montagem

Cumpra as advertências de segurança e o especificado na literatura do fabricante automóvel e das associações profissionais!

O fabricante não se responsabiliza por danos nos seguintes casos:

- Danos no produto resultantes de influências mecânicas e sobretensões
- Alterações ao produto sem autorização expressa do fabricante
- Utilização para outras finalidades que não as descritas no manual de instruções

Tenha em atenção as seguintes medidas de segurança fundamentais na utilização de aparelhos elétricos para a proteção contra:

- choque elétrico
- perigo de incêndio
- ferimentos

2.1 Manuseamento do aparelho



AVISO!

- A manutenção e as reparações no sistema de climatização para caixa de arrumação apenas devem ser realizadas por técnicos especializados familiarizados com os perigos inerentes ou com as normas em vigor. As reparações inadequadas podem provocar perigos graves. Em caso de reparação, entre em contacto com o centro de assistência técnica do seu país (endereços no verso).
- **Os aparelhos elétricos não são brinquedos!**
As crianças não conseguem avaliar adequadamente o perigo decorrentes dos equipamentos elétricos. Não permita que as crianças utilizem equipamentos elétricos sem supervisão.
- As pessoas que não estão aptas a utilizar o aparelho com segurança devido a incapacidade física, sensorial ou mental ou devido à sua inexperiência, não devem utilizar o aparelho sem a supervisão ou as instruções de uma pessoa responsável.
- Em caso de incêndio, utilize sempre os agentes de extinção permitidos. Não utilize água para apagar incêndios.

**PRECAUÇÃO!**

- O sistema de climatização para caixa de arrumação deve ser instalado de tal forma segura que não possa tombar ou cair.
- Utilize o sistema de climatização para caixa de arrumação apenas quando o corpo e os cabos não apresentam danos.
- Não coloque o sistema de climatização para caixa de arrumação nas proximidades de líquidos inflamáveis.
- Preste atenção para que os objetos inflamáveis não sejam armazenados nem montados na área da saída de ar. A distância tem de ser de, pelo menos, 50 cm.
- Não coloque as mãos nas saídas de ar e não insira objetos estranhos no sistema.

**NOTA!**

- Utilize o aparelho apenas para o fim previsto.
- O sistema de climatização para caixa de arrumação não está adequado para o funcionamento em máquinas agrícolas nem em máquinas para a construção civil.
- Não deve executar quaisquer alterações ou modificações no aparelho.
- Se ocorrerem falhas no sistema, o mesmo de ser verificado e devidamente colocado em funcionamento por uma empresa especializada. O agente de refrigeração nunca pode ser libertado para a atmosfera livre.

2.2 Manuseamento dos cabos elétricos

**AVISO!**

- A ligação elétrica apenas pode ser realizada por uma empresa especializada (p.ex. na Alemanha VDE 0100, parte 721).

**PRECAUÇÃO!**

- Fixe os cabos e coloque-os de modo a que não exista perigo de tropeçar e que sejam excluídos danos nos cabos.

**NOTA!**

- Se os cabos têm de ser passados por paredes com arestas afiadas, então utilize tubos vazios ou tubos de passar cabos.
- Não coloque os cabos soltos ou muito dobrados em materiais eletrocondutores (metal).
- Não puxe pelos cabos.

3 Destinatários do presente manual

Este manual está dirigido aos trabalhadores especializados em oficinas, que estão familiarizados com as diretivas a aplicar e medidas de segurança.

4 Material fornecido

N.º na fig. 1	Quant.	Designação
1	1	Sistema de climatização para caixa de arrumação
2	1	Controlo remoto
3	1	Recetor
4	4	Filtro de ar
5	2	Suporte de fixação
6	4	Estribo de fixação
7	14	Parafuso de fixação
8	2	Tubo de descarga
9	2	Grelha exterior
-	1	Molde de instalação

5 Utilização adequada

O sistema de ar condicionado em caixas de arrumação Dometic FreshWell 3000 (n.º art. 9105306670) destina-se exclusivamente a autocaravanas, caravanas e outros veículos com espaços habitacionais. O mesmo **não** é adequado para casas nem apartamentos.

O sistema de climatização para caixa de arrumação **não** é adequado para instalação em máquinas para a construção civil, máquinas agrícolas ou equipamentos de trabalho semelhantes. Em caso de efeito de vibração excessivo, não está garantido um funcionamento correto.

A função do FreshWell 3000 está garantida para temperaturas até 0 °C e 52 °C.



OBSERVAÇÃO

Para obter mais informações sobre o sistema de climatização para caixa de arrumação, tais como, a descrição técnica ou a operação, consulte o manual de instruções.

6 Chapas de características

No sistema de climatização para caixa de arrumação Dometic FreshWell estão aplicadas chapas de características. Estas chapas de características informam o utilizador e o técnico de instalação sobre as especificações de aparelhos.

7 Montagem



PRECAUÇÃO! Perigo de ferimentos!

A montagem do sistema de climatização para caixa de arrumação apenas pode ser efetuada por empresas especializadas. As seguintes informações destinam-se a técnicos, devidamente familiarizadas com as diretivas e medidas de segurança a aplicar.

7.1 Indicações sobre a montagem

Antes da montagem do sistema de climatização para caixa de arrumação é necessário ler totalmente este manual de montagem.

Durante a montagem do sistema de climatização para caixa de arrumação deverão ser tidas em consideração as seguintes dicas e indicações:



PERIGO! Perigo de morte por choque elétrico!

Em caso de trabalhos no sistema de climatização para caixa de arrumação, interrompa todas as alimentações de tensão.



PRECAUÇÃO! Perigo de ferimentos!

- Uma montagem incorreta do sistema de climatização para caixa de arrumação pode conduzir a danos irreparáveis no aparelho e comprometer a segurança do utilizador.
- Quando o sistema de climatização para caixa de arrumação não é instalado em conformidade com este manual de instalação, o fabricante não assume qualquer responsabilidade por falhas de funcionamento nem pela segurança do sistema de climatização para caixa de arrumação, em especial, por danos pessoais e/ou materiais.
- Utilize o vestuário de proteção prescrito em todos os trabalhos (p.ex. óculos de proteção, luvas de proteção).



NOTA! Perigo de danos!

Durante a instalação do sistema de climatização para caixa de arrumação, respeite sempre a estática do veículo e a vedação de todas as aberturas feitas durante a instalação.

Indicações sobre o transporte

- Segure sempre com outra pessoa no sistema de climatização para caixa de arrumação.
- Para uma possível deslocação, eleve sempre o sistema de climatização para caixa de arrumação e não o puxe por cima do chão (fig. **2 A**).
- Para efetuar a elevação, não utilize as aberturas de ventilação (fig. **2 B**).

Indicações sobre o local de montagem

- Para instalar o sistema de climatização para caixa de arrumação é necessário fazer aberturas no piso. Estas aberturas têm de ser facilmente acessíveis e não podem ser cobertas por componentes do veículo.
- Antes da montagem do sistema de climatização para caixa de arrumação, verifique se a instalação do sistema de climatização para caixa de arrumação não danifica eventuais componentes do veículo (p.ex. lâmpadas, armários, portas).
- Preste atenção para que os objetos inflamáveis não sejam armazenados nem montados na área da saída de ar. A distância deve ser de, pelo menos, 50 cm.
- A inclinação da superfície de montagem não deve ser superior a 10°.
- Por motivos de segurança, durante a instalação do sistema de climatização para caixa de arrumação (ao furar e aparafusar, etc.), preste atenção à condução dos chicotes de cabos existentes, em especial, à condução dos chicotes de cabos não visíveis, cabos e outros componentes localizados na área de montagem.
- Para obter uma ótima climatização, se possível, instale o sistema de climatização para caixa de arrumação numa posição central dentro de um compartimento ou local semelhante.
- Escolha um local de fácil acesso para os trabalhos de manutenção e para a montagem e desmontagem do aparelho.
- Coloque o molde de instalação no compartimento escolhido e controle o local disponível para as aberturas no piso.
- Para a minimizar a transmissão de ruídos e de oscilações durante o funcionamento, o sistema de climatização para caixa de arrumação deve apresentar uma distância mínima a toda a volta de 30 mm em relação às paredes ou móveis.
- O aparelho tem de ser instalado no chão.
- Deixe uma distância de 200 mm entre a parte dianteira do aparelho e as paredes laterais do compartimento para facilitar a substituição dos filtros.

- Aquando da montagem do aparelho num compartimento fora do veículo (p.ex. pisos duplos), o ar a ser tratado tem de ser aspirado para fora do habitáculo do veículo.
- A aspiração do ar exterior pode reduzir consideravelmente a potência do sistema.

Indicações sobre o sistema elétrico (ver fig. 13)

N.º na fig. 13	Designação
1	Motor da ventoinha (interior)
2	Motor da ventoinha (exterior)
3	Condensador
4	Compressor
5	Sensor da temperatura
6	Placa de circuitos
7	Mostrador da placa de circuitos
8	Interface PCB
9	Arranque suave
10	Válvula
11	Resistência

- Esta ligação elétrica do sistema de climatização para caixa de arrumação deve ser da responsabilidade de um técnico competente.
- Compare a indicação da tensão na placa de características com a alimentação de energia existente.
- Não coloque os cabos soltos ou muito dobrados em materiais eletrocondutores (metal).
- No lado de montagem, instale um interruptor de corte omnipolar com um tamanho de abertura mínimo de, pelo menos, 3 mm.

7.2 Criar as aberturas

Ver fig. 3

- Desenhe a posição e o tamanho das aberturas com ajuda do molde que faz parte do volume de fornecimento (**A** e **B**).

Ver fig. 4

- Faça os furos nos cantos (**A**).
- Recorte cuidadosamente a abertura no tejadilho com uma serra tico-tico ou semelhante (**B**).
Durante este procedimento, preste atenção para que nenhum cabo elétrico seja danificado.
- Perfure uma das aberturas para saída da água de condensação com um diâmetro de 32 mm (**C**).

Ver fig. 5

- Selecione a posição para os ângulos de fixação (**A**) e para os estribos de fixação (**B**).

7.3 Fixar os estribos de fixação e as cintas

Ver fig. 6

- Fixe os quatro estribos de fixação (**A**).
- Passe as cintas pelos estribos de fixação (**B**).
- Monte os tubos de descarga por baixo do sistema de ar condicionado para caixa de arrumação (**C**).
- Fixe o sistema de climatização para caixa de arrumação com as cintas (**D**).

7.4 Fixar os ângulos de fixação

Ver fig. 7

- Fixe o sistema de climatização para caixa de arrumação com ambos os suportes de fixação e respetivamente três parafusos de fixação como apresentado.

7.5 Fixar a grelha exterior

Ver fig. 8

- Fixe a grelha exterior, conforme representado, com as anilhas e os parafusos contidos no material fornecido.

7.6 Fixar o recetor

Ver fig. 9

- Perfure um orifício de 50 mm na parede.

Ver fig. 10

- Conduza o cabo pela abertura para o sistema de climatização para caixa de arrumação.
- Fixe o recetor como apresentado.

7.7 Instalar os cabos de ligação



PERIGO! Perigo de morte devido a choque elétrico!

Antes de trabalhos em componentes operados eletricamente, certifique-se de que não existe mais tensão!

O sistema de climatização para caixa de arrumação tem de ser ligado a um circuito de corrente que está apto a fornecer a corrente necessária (ver capítulo “Dados técnicos” na página 80).

- Selecione o diâmetro transversal do cabo de acordo com o comprimento do cabo:
 - Comprimento < 7,5 m: 1,5 mm²
 - Comprimento > 7,5 m: 2,5 mm²

Ver fig. 11

- Insira a ficha de 4 pólos do recetor na tomada de infravermelhos do sistema de climatização para caixa de arrumação **(1)**.
- Insira a ficha de 230 V~ **(2)** numa tomada de 230 V~.

7.8 Condução de ar

Ver fig. 12

Conduza o ar através de condutas convencionais (**não** disponíveis no material fornecido). Recomenda-se a utilização dos tubos em papelão para os sistemas de ar condicionado com revestimento interior em alumínio e revestimento exterior em PVC. O diâmetro interior nominal destes tubos deve ser de 60 mm, o diâmetro exterior de 65 mm.

Os tubos de ventilação são ligados com a ajuda da perfuração cónica na saída de ar por meio de pressão.

Os tubos são ligados à saída do registo.

Para um desempenho ótimo recomenda-se:

- instale as condutas de ar o mais curtas e retas possíveis
- limite o comprimento dos tubos para um máximo de 5 m
- não instale os tubos na proximidade de fontes de calor

A circulação de ar é aspirada por uma grelha ou por outras aberturas com uma secção transversal que foi concebida para uma corrente de ar mínima de 300 cm². A abertura da circulação de ar tem de ser aplicada na proximidade do aparelho. Se tal não for possível, a condução de ar não pode ser obstruída por objetos; instale eventualmente um canal de ar entre a abertura e o aparelho.



OBSERVAÇÃO

Para evitar a formação de água de condensação nos tubos, isole os tubos com um material de isolamento adequado (não incluído no material fornecido).

A circulação de ar tem de ser retirada do veículo; na alimentação do ar exterior, as capacidades do aparelho podem ser consideravelmente influenciadas.

8 Resolução de falhas

Falha	Causa	Eliminação
Sem potência de refrigeração	O sistema de climatização para caixa de arrumação não está configurado para o modo de refrigeração.	► Configure o sistema de climatização para caixa de arrumação para o modo de refrigeração.
	A temperatura ambiente é superior a 52 °C.	O sistema de climatização para caixa de arrumação foi concebido apenas para uma temperatura ambiente até 52 °C.
	A temperatura configurada é superior à temperatura ambiente.	► Selecione uma temperatura baixa.
	A temperatura ambiente é inferior a 16 °C.	O sistema de climatização para caixa de arrumação foi concebido apenas para uma temperatura ambiente a partir de 16 °C.
	O isolamento térmico está com defeito.	► Entre em contacto com uma oficina qualificada devidamente autorizada.
	O compressor está com danos.	
O enchimento do agente de refrigeração é insuficiente.		
O registo do permutador térmico está sujo.		
A ventilação exterior está com defeito.		

Falha	Causa	Eliminação
Sem capacidade de aquecimento	O sistema de ar condicionado para caixa de arrumação não está configurado para o modo de aquecimento.	► Configure o sistema de ar condicionado para caixa de arrumação para o modo de aquecimento.
	A temperatura ambiente situa-se abaixo de 0 °C.	O sistema de ar condicionado para caixa de arrumação foi concebido apenas para uma temperatura ambiente acima de 0 °C.
	A temperatura configurada é inferior à temperatura ambiente.	► Selecione uma temperatura superior.
	A temperatura ambiente é superior a 31 °C.	A temperatura pode ser ajustada entre 16 °C e 31 °C.
	O isolamento térmico está com defeito.	► Dirija-se a uma oficina autorizada.
	O compressor está danificado.	
	O enchimento do agente de refrigeração é insuficiente.	
Má potência de ar	O registo do permutador térmico está sujo.	
	O ventilador exterior está com defeito.	
	O filtro de ar está entupido.	► Limpe o filtro de ar.
	O ventilador interior está avariado.	
	O registo do permutador térmico está sujo.	► Entre em contacto com uma oficina qualificada devidamente autorizada.
Entrada de água no veículo	As aberturas para saída da água de condensação estão obstruídas.	► Limpe as aberturas para saída da água de condensação.
	As vedações estão danificadas.	► Entre em contacto com uma oficina qualificada devidamente autorizada.
O sistema de climatização para caixa de arrumação não liga	Não existe tensão de alimentação (230 V~).	► Controle a alimentação de tensão.
	A tensão é demasiado baixa (inferior a 200 V~).	► Entre em contacto com uma oficina qualificada devidamente autorizada.
	O transformador de tensão está com defeito.	
	O isolamento térmico está com defeito.	
	A proteção elétrica da alimentação de tensão é demasiado baixa.	► Verifique a proteção elétrica da alimentação de tensão.

Falha	Causa	Eliminação
O sistema de climatização para caixa de arrumação para o funcionamento.	O filtro de ar está entupido.	► Limpe o filtro de ar.
	A tensão é demasiado baixa (inferior a 200 V~).	► Entre em contacto com uma oficina qualificada devidamente autorizada.
	O transformador de tensão está com defeito.	
	O isolamento térmico está com defeito.	
	O ventilador do condensador está danificado.	
O registo do permutador térmico está sujo.		
	O ventilador exterior está com defeito.	
O sistema de climatização para caixa de arrumação não desliga	Um dos sensores de temperatura está com defeito.	► Entre em contacto com uma oficina qualificada devidamente autorizada.

9 Eliminação

Prescrições para a proteção do meio ambiente e eliminação adequada

Todas as organizações têm de tomar uma série de medidas para detetar, avaliar e controlar o impacto que as suas atividades (fabricação, produtos, assistência técnica, etc.) têm sobre o meio ambiente.

As medidas para a deteção de impactos significativos a serem cumpridas têm de atender aos seguintes fatores:

- Utilização de matérias-primas e recursos naturais
- Emissões atmosféricas
- Saída de líquidos
- Eliminação e reciclagem
- Contaminação do solo

Para minimizar os impactos sobre o meio ambiente, o fabricante apresenta uma série de sinais que qualquer um que interage com o aparelho durante a sua vida útil deve respeitar (qualquer que seja o motivo).

- Todo o material de embalagem tem de ser eliminado em conformidade com as prescrições legais que estão em vigor no país onde se procede à eliminação (de preferência, reciclagem).

- Todos os componentes do produto têm de ser eliminados em conformidade com as prescrições legais que estão em vigor no país onde se procede à eliminação (de preferência, reciclagem).
- Para uma eliminação correta, o aparelho tem de ser entregue a um centro de reciclagem devidamente autorizado para que esteja assegurado que todos os componentes recicláveis são reutilizados e que os restantes materiais são devidamente processados.
- Durante a instalação, certifique-se de que o espaço está suficientemente ventilado para evitar a existência de ar viciado que poderá ser nocivo para a saúde do operador.
- Durante o funcionamento e a manutenção, certifique-se de que elimina devidamente todos os produtos residuais (óleo, massa lubrificante, etc.).
- Mantenha o nível acústico baixo para reduzir a poluição sonora.

Para mais informações sobre a desinstalação correta dos nossos produtos, por favor, consulte as indicações de reciclagem em www.dometic.com.

- Sempre que possível, coloque o material de embalagem no respetivo contentor de reciclagem.
- Durante o funcionamento, bem como ao realizar reparações e trabalhos de manutenção, preste atenção para que o circuito de refrigeração não seja danificado e não possa haver fugas de agente de refrigeração. O mesmo atua como gás de estufa e não deve se libertado para o meio ambiente.



Para colocar o produto definitivamente fora de funcionamento, por favor, informe-se junto do centro de reciclagem mais próximo ou revendedor sobre as disposições de eliminação aplicáveis.

- Elimine o produto de acordo apenas em conformidade com as disposições de reciclagem ou de eliminação aplicáveis de uma empresa de eliminação autorizada.



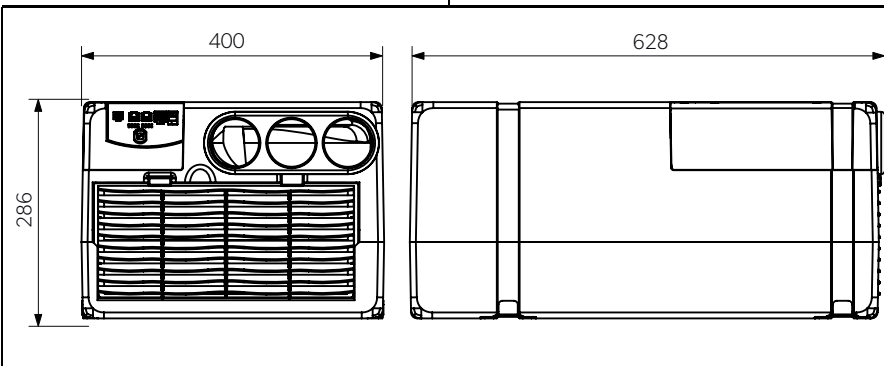
Proteja o meio ambiente!

As baterias e pilhas não devem ser eliminadas em conjunto com o lixo doméstico.

Entregue as baterias e pilhas danificadas ou gastas no ponto de compra ou num pilhão.

10 Dados técnicos

	FreshWell 3000
N.º art.:	9105306670
Potência de refrigeração em conformidade com a norma ISO 5151:	2700 W
Potência de aquecimento:	3000 W (2500 W + 500 W elemento de aquecimento adicional)
Corrente nominal de entrada:	230 V~ / 50 Hz
Consumo de corrente:	Refrigerar: 4,3 A Aquecer: 4,8 A
Fusível necessário:	5 A
Gama de temperatura de serviço:	0 °C a +52 °C
Agente de refrigeração	R-410A
Quantidade do agente de refrigeração:	0,6 kg
Equivalente a CO ₂ :	1,2528 t
Potencial de aquecimento global (GWP):	2088
Elemento de aquecimento adicional:	500 W
Ventilação:	3 níveis de ventilação 1 modo automático
Classe de proteção:	IP X5
Volume de espaço máx. do seu veículo (com paredes isoladas):	30 m ³
Dimensões C x L x A (mm):	628 x 400 x 286

FreshWell 3000	
	
Peso:	aprox. 21 kg
Verificação/Certificado:	CE

Contém gases fluorados com efeito de estufa

Equipamento hermeticamente fechado

Prima di effettuare il montaggio e la messa in funzione leggere accuratamente questo manuale di istruzioni, conservarlo e in caso di trasmissione del prodotto, consegnarlo all'utente successivo.

Indice

1	Spiegazione dei simboli	82
2	Indicazioni di sicurezza e di montaggio.	83
3	Destinatari di queste istruzioni	85
4	Dotazione	85
5	Uso conforme alla destinazione	86
6	Targhette di identificazione	86
7	Montaggio	86
8	Eliminazione dei disturbi.	92
9	Smaltimento	94
10	Specifiche tecniche.	95

1 Spiegazione dei simboli



AVVERTENZA!

Avviso di sicurezza: la mancata osservanza di questo avviso può causare ferite gravi anche mortali.



ATTENZIONE!

Avviso di sicurezza: la mancata osservanza di questo avviso può essere causa di lesioni.



AVVISO!

La mancata osservanza di questa nota può causare danni materiali e compromettere il funzionamento del prodotto.



NOTA

Informazioni integranti relative all'impiego del prodotto.

2 Indicazioni di sicurezza e di montaggio

Osservare le indicazioni di sicurezza e le direttive previste dal produttore del veicolo e dagli specialisti del settore!

Il produttore non si assume nessuna responsabilità per danni nei seguenti casi:

- danni al prodotto dovuti a influenze meccaniche o a sovratensioni
- modifiche al prodotto senza esplicita autorizzazione del produttore
- impiego per altri fini rispetto a quelli descritti nel manuale di istruzioni

Durante l'uso di apparecchi elettrici attenersi alle misure di sicurezza fondamentali descritte qui di seguito per proteggersi da:

- scosse elettriche
- pericolo di incendio
- lesioni

2.1 Utilizzo dell'apparecchio



AVVERTENZA!

- I lavori di montaggio e riparazione del climatizzatore per il vano di carico devono essere effettuati solo da uno specialista informato sui pericoli connessi e a conoscenza delle relative prescrizioni. Le riparazioni effettuate in modo scorretto potrebbero causare rischi enormi. In caso di riparazioni, rivolgersi al Centro di assistenza del proprio Paese (l'indirizzo si trova sul retro di questo manuale).
- **Gli elettrodomestici non sono giocattoli!**
I bambini non sono in grado di valutare correttamente i pericoli connessi con gli apparecchi elettrici. Non permettere l'uso di apparecchi elettrici ai bambini se non in presenza di adulti.
- Persone che, a causa delle proprie capacità fisiche, sensoriali o mentali, oppure che a causa della propria inesperienza o scarsa conoscenza, non siano in grado di utilizzare l'apparecchio in modo sicuro, devono evitare di utilizzarlo se non in presenza e seguendo le istruzioni di una persona per loro responsabile.
- In caso di incendio impiegare solo estinguenti autorizzati. Non tentare di estinguere l'incendio con acqua.

**ATTENZIONE!**

- Installare il climatizzatore per il vano di carico in modo tale che non possa cadere.
- Mettere in funzione l'impianto di climatizzazione per il vano di carico solamente se le linee e l'alloggiamento non sono danneggiati!
- Non utilizzare il climatizzatore per il vano di carico nelle vicinanze di liquidi infiammabili.
- Assicurarsi che nella zona di fuoriuscita dell'aria non siano collocati o montati oggetti infiammabili. La distanza minima deve essere 50 cm.
- Non intervenire nell'area delle bocchette di aerazione e non introdurre nessun corpo estraneo nell'impianto.

**AVVISO!**

- Utilizzare l'apparecchio solamente per un uso conforme alla sua destinazione.
- Il climatizzatore per vano di carico non è adatto all'impiego su macchine agricole ed edili.
- Non eseguire alcuna modifica all'apparecchio.
- Qualora dovessero presentarsi guasti al circuito del refrigerante dell'impianto, fare controllare e riparare quest'ultimo correttamente da un tecnico specializzato. Non scaricare in nessun caso il refrigerante liberamente nell'atmosfera.

2.2 Uso dei cavi elettrici

**AVVERTENZA!**

- L'allacciamento elettrico deve essere eseguito da una ditta specializzata (in Germania, ad esempio, in conformità alla direttiva VDE 0100, parte 721).

**ATTENZIONE!**

- Posare e fissare i cavi in modo tale che non sussista pericolo di inciampamento e di danni al cavo.

**AVVISO!**

- Se i cavi devono passare attraverso pareti con spigoli vivi, utilizzare tubi vuoti o canaline passacavi.
- Non posare i cavi in modo malfermo o con forti pieghe sui materiali che conducono elettricità (metalli).
- Non tirare i cavi.

3 Destinatar​i di queste istruzioni

Queste istruzioni si rivolgono ai tecnici specializzati delle officine a conoscenza delle direttive da adottare e dei dispositivi di sicurezza.

4 Dotazione

N. in fig. 1	Numero	Denominazione
1	1	climatizzatore per il vano di carico
2	1	comando a distanza
3	1	ricevitore
4	4	filtro dell'aria
5	2	angolare di fissaggio
6	4	staffa di fissaggio
7	14	vite di fissaggio
8	2	Tube di scarico
9	2	Griglie esterne
-	1	dima di installazione

5 Uso conforme alla destinazione

Il condizionatore da incasso Dometic FreshWell 3000 (Codice 9105306670) è idoneo esclusivamente per camper, caravan e altri veicoli con locali abitativi. **Non** è idoneo per case e appartamenti.

Il climatizzatore per il vano di carico **non** è adatto per essere installato su macchine edili, macchine agricole oppure apparecchi di lavoro simili. In caso di vibrazione eccessiva non è più garantito un funzionamento corretto.

Il funzionamento di FreshWell 3000 è garantito per temperature da 0 °C a 52 °C.



NOTA

Ulteriori informazioni sul climatizzatore per il vano di carico, come ad es. la descrizione tecnica o l'utilizzo, si trovano nelle istruzioni per l'uso.

6 Targhette di identificazione

Sul climatizzatore per il vano di carico Dometic FreshWell sono applicate targhette di identificazione. Queste targhette di identificazione informano l'utente e l'installatore sulle specifiche dell'apparecchio.

7 Montaggio



ATTENZIONE! Rischio di lesioni!

Il montaggio del climatizzatore per il vano di carico può essere eseguito solo da tecnici specializzati. Le seguenti informazioni si rivolgono ai tecnici specializzati a conoscenza delle direttive da adottare e delle disposizioni di sicurezza.

7.1 Indicazioni sul montaggio

Prima del montaggio del climatizzatore per il vano di carico, leggere interamente le presenti indicazioni di montaggio.

Durante l'installazione del climatizzatore per il vano di carico prestare attenzione ai consigli e alle indicazioni seguenti.



PERICOLO! Pericolo di morte a causa di scossa elettrica!

Interrompere tutte le alimentazioni elettriche qualora si eseguano lavori sul climatizzatore del vano di carico.

**ATTENZIONE! Rischio di lesioni!**

- Un'installazione non corretta del climatizzatore può provocare danni irreparabili all'apparecchio e compromettere la sicurezza dell'utente.
- Se il climatizzatore per il vano di carico non viene installato come previsto nelle presenti indicazioni di montaggio, il produttore non si assume nessuna responsabilità, né per guasti, né per la sicurezza del climatizzatore per il vano di carico, in modo particolare per danni a persone o materiali.
- Per l'esecuzione di tutti i lavori, indossare l'abbigliamento di protezione previsto (ad es. occhiali e guanti di protezione).

**AVVISO! Pericolo di danni!**

Durante il montaggio del climatizzatore per il vano di carico prestare sempre attenzione alla statica del veicolo e alla impermeabilizzazione di tutte le aperture eseguite durante i lavori.

Indicazioni relative al trasporto

- Portare sempre il climatizzatore per il vano di carico in due.
- Quando si sposta il climatizzatore per il vano di carico, sollevarlo sempre e non trascinarlo sul pavimento (fig. **2 A**).
- Per sollevarlo non utilizzare mai la feritoia di areazione (fig. **2 B**).

Indicazioni relative al luogo di montaggio

- Per l'installazione del climatizzatore per il vano di carico è necessario realizzare aperture sul pavimento. Tali aperture devono essere facilmente accessibili e non possono essere coperte da elementi costruttivi del veicolo.
- Prima di effettuare il montaggio del climatizzatore per il vano di carico, verificare che il montaggio non possa danneggiare il climatizzatore stesso o i componenti del veicolo (ad es. luci, armadi, porte).
- Assicurarsi che nella zona di fuoriuscita dell'aria non siano stati collocati o montati oggetti infiammabili. La distanza deve essere almeno 50 cm.
- La pendenza della superficie di montaggio non può essere superiore a 10°.
- Per motivi di sicurezza, accertarsi che il montaggio del climatizzatore per il vano di carico (in caso di perforazioni ed avvitature ecc.) non avvenga lungo la posa dei cablaggi preesistenti, in particolare di quelli non a vista, delle linee e di altri componenti situati nell'area di installazione!

- Installare il climatizzatore per il vano di carico per una climatizzazione ottimale del veicolo in una posizione il più centrale possibile in uno scomparto o in un dispositivo simile.
- Scegliere un posto facilmente accessibile per i lavori di manutenzione e per il montaggio e lo smontaggio dell'apparecchio.
- Posare la dima per l'installazione nello scomparto scelto e controllare lo spazio disponibile per le aperture sul pavimento.
- Per minimizzare la trasmissione di rumore e vibrazione durante il funzionamento, il climatizzatore per il vano di carico deve avere una distanza minima di circa 30 mm rispetto alle pareti o ai mobili.
- L'apparecchio deve essere installato sul pavimento.
- Per facilitare il cambio del filtro, lasciare una distanza di 200 mm fra la parte anteriore dell'apparecchio e i lati dello scomparto.
- Se si monta l'apparecchio in uno scomparto al di fuori del veicolo (ad es. in un fondo doppio) l'aria da trattare deve essere aspirata dall'abitacolo del veicolo.
- L'aspirazione dell'aria esterna può ridurre considerevolmente la potenza dell'impianto.

Indicazioni relative al sistema elettrico (vedi fig. 13)

N. in fig. 13	Denominazione
1	Motore del ventilatore (interno)
2	Motore del ventilatore (esterno)
3	Condensatore
4	Compressore
5	Sensore di temperatura
6	PCB
7	Display con PCB
8	Interfaccia PCB
9	Soft start
10	Valvola
11	Resistenza

- Fare eseguire il collegamento elettrico del climatizzatore per il vano di carico da uno specialista.
- Confrontare i dati della tensione riportati sulla targhetta con quelli delle prese e degli attacchi disponibili.
- Non posare le linee in modo malfermo o con forti pieghe sui materiali che conducono elettricità (metalli).
- Sul lato di montaggio montare un interruttore onnipolare con una distanza di apertura dei contatti di almeno 3 mm.

7.2 Realizzazione delle aperture

Vedi fig. 3

- Contrassegnare il luogo e le dimensioni delle aperture utilizzando la dima in dotazione (**A** e **B**).

Vedi fig. 4

- Effettuare fori sugli angoli (**A**).
- Tagliare con cura l'apertura sul tetto con un gattuccio o uno strumento simile (**B**). Durante questa operazione, prestare attenzione a non danneggiare i cavi elettrici.
- Con il trapano realizzare aperture di scarico per l'acqua di condensa con un diametro di 32 mm (**C**).

Vedi fig. 5

- Segnare la posizione per gli angolari di fissaggio (**A**) e le staffe di fissaggio (**B**).

7.3 Fissaggio delle staffe e delle cinghie

Vedi fig. 6

- Fissare le quattro staffe di fissaggio (**A**).
- Tirare le cinghie, mediante le staffe di fissaggio (**B**).
- Montare i tubi di scarico sotto il condizionatore (**C**).
- Fissare il climatizzatore per il vano di carico con le cinghie (**D**).

7.4 Fissaggio degli angolari

Vedi fig. 7

- Fissare il climatizzatore per il vano di carico con entrambi gli angolari di fissaggio e di volta in volta tre viti di fissaggio come da figura.

7.5 Fissaggio delle griglie esterne

Vedi fig. 8

- Fissare le griglie esterne, come rappresentato, con le viti e le rondelle fornite in dotazione.

7.6 Fissaggio del ricevitore

Vedi fig. 9

- Realizzare un'apertura di 50 mm nella parete.

Vedi fig. 10

- Portare il cavo fino al climatizzatore per il vano di carico facendolo passare per l'apertura.
- Fissare il ricevitore come da figura.

7.7 Posa dei cavi di collegamento



PERICOLO! Pericolo di morte a causa di scossa elettrica!

Prima di eseguire i lavori sui componenti elettrici azionati, assicurarsi che non vi sia tensione!

Il climatizzatore per il vano di carico deve essere collegato a un circuito elettrico che sia in grado di fornire la corrente necessaria (vedi capitolo "Specifiche tecniche" a pagina 95).

- Scegliere la sezione del cavo in base alla sua lunghezza:
 - lunghezza < 7,5 m: 1,5 mm²
 - lunghezza > 7,5 m: 2,5 mm²

Vedi fig. 11

- Inserire la spina a 4 poli del ricevitore nella presa IR del climatizzatore per il vano di carico (1).
- Inserire la spina da 230 V~ (2) in una presa da 230 V~ .

7.8 Conduzione dell'aria

Vedi fig. 12

Realizzare la conduzione dell'aria con canali costituiti da elementi costruttivi comunemente in commercio (**non** in dotazione). Consigliamo di utilizzare tubi in cartone per climatizzatori con rivestimento interno in alluminio e rivestimento esterno in PCV. La sezione nominale interna di questi tubi deve essere 60 mm, quella esterna 65 mm.

I tubi di aerazione vengono collegati mediante pressione con l'ausilio di una foratura a cono sull'uscita dell'aria.

I tubi vengono collegati sull'uscita del registro.

Per prestazioni ottimali consigliamo quanto segue:

- posare le tubazioni dell'aria il più possibile corte e lineari
- limitare la lunghezza dei tubi a un massimo di 5 m
- non posare i tubi in prossimità di fonti di calore

L'aria di ricircolo viene aspirata da una griglia o da altre aperture con un diametro progettato per un flusso d'aria di almeno 300 cm². L'apertura per l'aria di ricircolo deve essere applicata in prossimità dell'apparecchio. Se non fosse possibile, la conduzione dell'aria non deve essere ostacolata da oggetti, all'occorrenza inserire una condotta d'aria fra l'apertura e l'apparecchio.



NOTA

Isolare i tubi con materiale adeguato (non fornito in dotazione) per evitare la formazione di condensa su di essi.

L'aria di ricircolo deve essere prelevata dall'abitacolo del veicolo; con l'alimentazione di aria esterna le prestazioni dell'apparecchio possono essere notevolmente compromesse.

8 Eliminazione dei disturbi

Disturbo	Causa	Eliminazione
Nessuna capacità di raffreddamento	Il climatizzatore per il vano di carico non è impostato sulla modalità di raffreddamento.	► Impostare il climatizzatore per il vano di carico sulla modalità di raffreddamento.
	La temperatura ambiente è superiore a 52 °C.	Il climatizzatore per il vano di carico è ideato solo per temperature ambiente fino a 52 °C.
	La temperatura impostata è superiore alla temperatura ambiente.	► Selezionare una temperatura inferiore.
	La temperatura ambiente è inferiore a 16 °C.	Il climatizzatore per il vano di carico è ideato solo per temperature ambiente a partire da 16 °C.
	La protezione termica è guasta.	► Rivolgersi a un'officina specializzata, autorizzata.
	Il compressore è danneggiato.	
	Il riempimento con refrigerante è insufficiente.	
Il registro dello scambiatore di calore è sporco.		
Il ventilatore esterno è guasto.		
Riscaldamento non attivo	Il condizionatore da incasso non è impostato sulla modalità di riscaldamento.	► Impostare il condizionatore da incasso sulla modalità di riscaldamento.
	La temperatura ambiente è inferiore a 0 °C.	Il condizionatore da incasso è studiato solo per temperature ambiente superiori a 0 °C.
	La temperatura impostata è inferiore alla temperatura ambiente.	► Selezionare una temperatura superiore.
	La temperatura ambiente è superiore a 31 °C.	La temperatura impostabile è tra 16 °C e 31 °C.
	La protezione termica è guasta.	► Rivolgersi a un'officina specializzata e autorizzata.
	Il compressore è danneggiato.	
	Il riempimento con refrigerante è insufficiente.	
	Il registro dello scambiatore di calore è sporco.	
Il ventilatore esterno è guasto.		

Disturbo	Causa	Eliminazione
Cattiva capacità di aerazione	Il filtro dell'aria è intasato.	► Pulire il filtro dell'aria.
	Il registro dello scambiatore di calore è sporco.	► Rivolgersi a un'officina specializzata, autorizzata.
	Il ventilatore interno è guasto.	
Infiltrazione di acqua nel veicolo	Le aperture di scarico per l'acqua di condensa sono intasate.	► Pulire le aperture di scarico per l'acqua di condensa.
	Le guarnizioni sono danneggiate.	► Rivolgersi a un'officina specializzata, autorizzata.
Il climatizzatore per il vano di carico non si accende	Non è presente tensione di alimentazione (230 V~).	► Controllare l'alimentazione di tensione.
	La tensione è troppo bassa (inferiore a 200 V~).	► Rivolgersi a un'officina specializzata, autorizzata.
	Il trasformatore di tensione è guasto.	
	La protezione termica è guasta.	
	La protezione elettrica dell'alimentazione di tensione è troppo bassa.	► Controllare la protezione elettrica dell'alimentazione di tensione.
Il climatizzatore per il vano di carico imposta il funzionamento.	Il filtro dell'aria è intasato.	► Pulire il filtro dell'aria.
	La tensione è troppo bassa (inferiore a 200 V~).	► Rivolgersi a un'officina specializzata, autorizzata.
	Il trasformatore di tensione è guasto.	
	La protezione termica è guasta.	
	Il ventilatore del condensatore è danneggiato.	
	Il registro dello scambiatore di calore è sporco.	
Il ventilatore esterno è guasto.		
Il climatizzatore per vano di carico non si spegne	Uno dei sensori di temperatura è difettoso.	► Rivolgersi a un'officina specializzata, autorizzata.

9 Smaltimento

Prescrizioni relative alla protezione ambientale e allo smaltimento corretto

Tutte le organizzazioni sono tenute ad adottare una serie di misure per riconoscere, valutare e controllare l'impatto che le proprie attività (produzione, prodotti, service ecc.) hanno sull'ambiente.

In caso di forte impatto sull'ambiente, le misure da adottare devono considerare i seguenti fattori:

- Uso di materie prime e risorse naturali
- Emissioni atmosferiche
- Fuoriuscita di liquidi
- Smaltimento e riciclaggio
- Contaminazione del suolo

Per ridurre al minimo gli effetti sull'ambiente, il produttore indica di seguito una serie di simboli che devono considerare tutti coloro che (per qualsiasi ragione) utilizzano il dispositivo.

- Il materiale di imballaggio deve venire smaltito in conformità alle norme vigenti nel Paese in cui avviene lo smaltimento (meglio se riciclato).
- Tutti i componenti del prodotto devono venire smaltiti in conformità alle norme vigenti nel Paese in cui avviene lo smaltimento (meglio se riciclati).
- Per smaltimento corretto si intende la consegna dell'apparecchio in un centro di riciclaggio autorizzato. In questo modo si è sicuri che tutti i componenti riciclabili possano venire riutilizzati e che i materiali rimanenti vengano smaltiti correttamente.
- Per evitare il ristagno di aria viziata, che è dannoso alla salute dell'utente, durante l'installazione assicurarsi che l'ambiente sia sufficientemente ventilato.
- Durante l'esercizio e la manutenzione, assicurarsi che i prodotti di scarto pericolosi (olio, grasso, ecc.) vengano smaltiti correttamente.
- Mantenere un livello di intensità acustica basso per ridurre l'inquinamento acustico.

Ulteriori informazioni relative alla disinstallazione corretta dei nostri prodotti si trovano all'interno dei manuali di riciclaggio alla pagina www.dometic.com.

- Raccogliere il materiale di imballaggio possibilmente negli appositi contenitori di riciclaggio.
- Durante l'esercizio e le operazioni di riparazione o di manutenzione, prestare attenzione a non danneggiare il circuito di raffreddamento e a non far fuoriuscire il liquido refrigerante. Esso funziona come un gas a effetto serra e pertanto non deve venire rilasciato nell'ambiente.



Quando si disinserisce definitivamente il prodotto, informarsi presso il centro di riciclaggio più vicino o presso il proprio rivenditore specializzato sulle norme relative allo smaltimento.

- Smaltire il prodotto solo attenendosi alle norme in vigore per il riciclaggio o lo smaltimento presso un'azienda di smaltimento autorizzata.



Proteggete l'ambiente!

Gli accumulatori e le batterie non devono essere raccolti insieme ai rifiuti domestici.

Consegnare gli accumulatori difettosi o le batterie usate al rivenditore o presso un centro di raccolta.

10 Specifiche tecniche

	FreshWell 3000
N. art.:	9105306670
Capacità di raffreddamento a norma ISO 5151:	2700 W
Capacità di riscaldamento:	3000 W (2500 W + 500 W dell'elemento riscaldante aggiuntivo)
Tensione nominale di ingresso:	230 V~ / 50 Hz
Corrente assorbita:	Raffreddamento: 4,3 A Riscaldamento: 4,8 A
Fusibile necessario:	5 A
Intervallo di variazione della temperatura di esercizio:	da 0 °C a +52 °C

	FreshWell 3000
Refrigerante:	R-410A
Quantità di refrigerante:	0,6 kg
Equivalente CO ₂ :	1,2528 t
Potenziale di riscaldamento globale (GWP):	2088
Elemento riscaldante aggiuntivo:	500 W
Ventilatore:	3 livelli di ventilazione 1 modalità automatica
Classe di protezione:	IP X5
Volume max. dell'abitacolo del veicolo (con pareti isolate):	30 m ³
Dimensioni L x P x H (mm):	628 x 400 x 286
Peso:	ca. 21 kg
Certificati di controllo:	CE

Contiene gas fluorurati a effetto serra

Apparecchiature ermeticamente sigillate

Lees deze handleiding voor de montage en de ingebruikname zorgvuldig door en bewaar hem. Geef de handleiding bij het doorgeven van het product aan de gebruiker.

Inhoudsopgave

1	Verklaring van de symbolen	97
2	Veiligheids- en montage-instructies	98
3	Doelgroep van deze handleiding	100
4	Omvang van de levering	100
5	Gebruik volgens de voorschriften	101
6	Identificatieplaatjes	101
7	Montage	102
8	Verhelpen van storingen	108
9	Afvoer	110
10	Technische gegevens	112

1 Verklaring van de symbolen



WAARSCHUWING!

Veiligheidsaanwijzing: Het niet naleven kan leiden tot overlijden of ernstig letsel.



VOORZICHTIG!

Veiligheidsaanwijzing: Het niet naleven kan leiden tot letsel.



LET OP!

Het niet naleven ervan kan leiden tot materiële schade en de werking van het product beperken.



INSTRUCTIE

Aanvullende informatie voor het bedienen van het product.

2 Veiligheids- en montage-instructies

Neem de veiligheidsinstructies en voorschriften van de fabrikant van het voertuig en het garagebedrijf in acht!

De fabrikant kan in de volgende gevallen niet aansprakelijk worden gesteld voor schade:

- beschadiging van het product door mechanische invloeden en overspanningen
- veranderingen aan het product zonder uitdrukkelijke toestemming van de fabrikant
- gebruik voor andere dan de in de handleiding beschreven toepassingen

Neem onderstaande fundamentele veiligheidsmaatregelen in acht bij het gebruik van elektrische toestellen ter bescherming tegen:

- elektrische schokken
- brandgevaar
- verwondingen

2.1 Omgang met het toestel



WAARSCHUWING!

- De montage en reparaties aan de airco onder de bank mogen alleen door vakmensen worden uitgevoerd die bekend zijn met de betreffende gevaren en voorschriften. Door ondeskundige reparaties kunnen grote gevaren ontstaan. Neem bij reparaties contact op met het servicesteunpunt in uw land (adressen aan de achterzijde).
- **Elektrische toestellen zijn geen speelgoed!**
Kinderen kunnen de gevaren die van elektrische toestellen uitgaan niet goed inschatten. Laat kinderen niet zonder toezicht elektrische toestellen gebruiken.
- Personen die vanwege hun lichamelijke, sensorische of geestelijke vaardigheden, hun onervarenheid of onwetendheid niet in staat zijn het toestel veilig te gebruiken, mogen dit niet zonder toezicht of instructie door een verantwoordelijke persoon doen.
- Gebruik in geval van brand uitsluitend goedgekeurde blusmiddelen. Gebruik geen water om te blussen.

**VOORZICHTIG!**

- De airco onder de bank moet zo stevig worden geïnstalleerd, dat deze niet naar beneden kan vallen.
- Gebruik de airco onder de bank alleen als de behuizing en de leidingen onbeschadigd zijn.
- Plaats de airco onder de bank niet in de buurt van ontvlambare vloeistoffen.
- Zorg ervoor dat brandbare voorwerpen niet in de buurt van de luchtuitlaat zijn opgeslagen of gemonteerd. De afstand moet minstens 50 cm bedragen.
- Grijp niet in luchtuitlaten en steek geen vreemde voorwerpen in de installatie.

**LET OP!**

- Gebruik het toestel alleen volgens de voorschriften.
- De airco onder de bank is niet geschikt voor het gebruik in landbouw- en bouwmachines.
- Voer geen wijzigingen of verbouwingen aan het toestel uit.
- Als er storingen in het koelmiddelcircuit van de installatie optreden, moet de installatie door een gespecialiseerde firma gecontroleerd en naar behoren gerepareerd worden. Het koelmiddel mag in geen geval in de vrije lucht worden afgelaten.

2.2 Omgang met elektrische leidingen

**WAARSCHUWING!**

- De elektrische aansluiting mag alleen door een gespecialiseerde firma uitgevoerd worden (bijvoorbeeld in Duitsland VDE 0100, deel 721).

**VOORZICHTIG!**

- Bevestig en installeer de leidingen zodanig, dat er geen struikelgevaar ontstaat en beschadiging van de kabel uitgesloten is.

**LET OP!**

- Als leidingen door wanden met scherpe randen geleid moeten worden, gebruikt u holle buizen of leidingdoorvoeren.
- Installeer geen losse of scherp geknikte leidingen op elektrisch geleidend materiaal (metaal).
- Trek niet aan leidingen.

3 Doelgroep van deze handleiding

Deze handleiding is bestemd voor vakmensen in werkplaatsen die bekend zijn met de toe te passen richtlijnen en veiligheidsmaatregelen.

4 Omvang van de levering

Nr. in afb. 1	Aantal	Omschrijving
1	1	Airco onder de bank
2	1	Afstandsbediening
3	1	Ontvanger
4	4	Luchtfilter
5	2	Bevestigingshoek
6	4	Bevestigingsbeugel
7	14	Bevestigingsschroef
8	2	Afvoerbus
9	2	Buitenrooster
-	1	Installatiesjabloon

5 Gebruik volgens de voorschriften

De airco onder de bank Dometic FreshWell 3000 (artikelnr. 9105306670) is uitsluitend geschikt voor campers, caravans en andere voertuigen met woonruimte. Hij is **niet** geschikt voor huizen of woningen.

De airco onder de bank is **niet** geschikt voor de installatie in (land)bouwmachines of dergelijke werktoestellen. Bij te sterke trillingen kan het toestel niet goed functioneren.

De werking van de FreshWell 3000 is gegarandeerd voor temperaturen tussen 0 °C en 52 °C.



INSTRUCTIE

Aanvullende informatie over de airco onder de bank, de technische beschrijving of de bediening vindt u in de gebruiksaanwijzing.

6 Identificatieplaatjes

Op de airco onder de bank Dometic FreshWell zijn identificatieplaatjes aangebracht. Deze identificatieplaatjes informeren de gebruiker en de installateur over de toestelspecificaties.

7 Montage



VOORZICHTIG! Gevaar voor verwonding!

De montage van de airco onder de bank mag uitsluitend door daarvoor opgeleide vakmensen uitgevoerd worden. De volgende informatie is bestemd voor vakmensen die vertrouwd zijn met de toe te passen richtlijnen en veiligheidsmaatregelen.

7.1 Instructies voor de montage

Voor de montage van de airco onder de bank dient u deze montagehandleiding volledig te lezen.

De volgende tips en instructies moeten bij de montage van de airco onder de bank in acht genomen worden:



GEVAAR! Levensgevaar door elektrische schok!

Onderbreek bij werkzaamheden aan de airco onder de bank alle spanningsvoorzieningen.



VOORZICHTIG! Gevaar voor verwonding!

- Een verkeerde montage van de airconditioning kan tot onherstelbare schade aan het toestel leiden en de veiligheid van de gebruiker in gevaar brengen.
- Indien de airco onder de bank niet volgens deze montagehandleiding geïnstalleerd wordt, kan de fabrikant niet aansprakelijk gesteld worden voor bedrijfsstoringen noch voor de veiligheid van de airco onder de bank, in het bijzonder niet voor lichamelijke letsels en/of materiële schade.
- Draag bij alle werkzaamheden de voorgeschreven veiligheidskleding (bijv. veiligheidsbril, veiligheidshandschoenen).



LET OP! Gevaar voor beschadiging!

Let bij de montage van de airco onder de bank altijd op het evenwicht van het voertuig en zorg voor een goede afdichting van alle openingen die bij de montage ontstaan.

Instructies voor het transport

- Draag de airco onder de bank altijd met twee personen.
- Til de airco onder de bank altijd op als u hem wilt verplaatsen, trek hem niet over de bodem (afb. **2 A**).
- Gebruik voor het optillen niet de ventilatiesleuf (afb. **2 B**).

Instructies voor de montageplaats

- Voor de installatie van de airco onder de bank moeten openingen in de bodem worden aangebracht. Deze openingen moeten goed toegankelijk zijn en mogen niet door componenten van het voertuig worden afgedekt.
- Controleer voor de montage van de airco onder de bank of door de montage van de airco onder de bank eventueel voertuigcomponenten beschadigd kunnen raken (bijv. lampen, kasten, deuren).
- Zorg ervoor dat brandbare voorwerpen niet in de buurt van de luchtuitlaat zijn opgeslagen of gemonteerd. De afstand dient minstens 50 cm te bedragen.
- De helling van het montagevlak mag niet meer dan 10° bedragen.
- Let om veiligheidsredenen bij de montage van de airco onder de bank (bij het boren en schroeven enz.) op het verloop van aanwezige, met name niet-zichtbare kabelstrengen, leidingen en andere componenten die zich in het montagebereik bevinden.
- Installeer de airco onder de bank voor een optimale klimatisering van het voertuig zo centraal mogelijk in een vak of iets dergelijks.
- Kies een plaats die goed toegankelijk is voor onderhoudswerkzaamheden en voor de montage en demontage van het toestel.
- Leg de installatiesjabloon in het gekozen vak en controleer de beschikbare ruimte voor de openingen in de bodem.
- Om de overdracht van geluid en trillingen tijdens het bedrijf te minimaliseren, moet de afstand van de airco onder de bank tot wanden en meubels minstens 30 mm bedragen.
- Het toestel moet op de bodem worden geïnstalleerd.
- Laat een afstand van 200 mm tussen de voorzijde van het toestel en de zijkanten van het vak om het vervangen van filters te vereenvoudigen.
- Bij de montage van het toestel in een vak buiten het voertuig (bijv. dubbele bodem) moet de te behandelen lucht uit de binnenruimte van het voertuig worden aangezogen.
- Het aanzuigen van buitenlucht kan de capaciteit van de installatie aanzienlijk reduceren.

Instructies voor het elektrische systeem (zie afb. 13)

Nr. in afb. 13	Omschrijving
1	Ventilatormotor (binnen)
2	Ventilatormotor (buiten)
3	Condensator
4	Compressor
5	Temperatuursensor
6	Printplaat
7	Display van printplaat
8	PCB-interface
9	Softstart
10	Klep
11	Weerstand

- Laat de airco onder de bank alleen door een vakman elektrisch aansluiten.
- Vergelijk de spanning op het typeplaatje met de aanwezige energievoorziening.
- Installeer de leidingen niet los of scherp geknikt op elektrisch geleidend materiaal (metaal).
- Monteer aan de montagezijde een schakelaar voor alle polen met een contactopening van minimaal 3 mm.

7.2 Openingen maken**Zie afb. 3**

- Teken de positie en afmeting van de openingen met behulp van de sjabloon voor, die bij de levering is ingebegrepen (**A** en **B**).

Zie afb. 4

- Boor de hoeken uit (**A**).
- Snijd de opening op het dak zorgvuldig uit met een decoupeerzaag of iets dergelijks (**B**).
Let er daarbij op dat er geen elektrische kabels beschadigd raken.
- Boor een afvoeropening voor condenswater met een diameter van 32 mm (**C**).

Zie afb. 5

- Markeer de positie voor de bevestigingsrail (**A**) en de bevestigingsbeugel (**B**).

7.3 Bevestigingsbeugel en riem bevestigen

Zie afb. 6

- Bevestig de vier bevestigingsbeugels (**A**).
- Trek de riemen door de bevestigingsbeugels (**B**).
- Monteer de afvoerbuizen onder de airco onder de bank (**C**).
- Bevestig de airco onder de bank met de riemen (**D**).

7.4 Bevestigingsbeugel bevestigen

Zie afb. 7

- Bevestig de airco onder de bank met beide bevestigingshoeken en telkens drie bevestigingsschroeven, zoals afgebeeld.

7.5 Buitenrooster bevestigen

Zie afb. 8

- Bevestig de buitenroosters zoals afgebeeld met de meegeleverde schroeven en schijven.

7.6 Ontvanger bevestigen

Zie afb. 9

- Boor een opening van 50 mm in de wand.

Zie afb. 10

- Breng de kabel door de opening naar de airco onder de bank.
- Bevestig de ontvanger zoals afgebeeld.

7.7 Aansluitleidingen installeren



GEVAAR! Levensgevaar door stroomschok!

Voor werkzaamheden aan elektrische componenten moet ervoor gezorgd worden dat ze niet meer onder spanning staan!

De airco onder de bank moet op een stroomkring worden aangesloten die in staat is de benodigde stroom te leveren (zie hoofdstuk „Technische gegevens” op pagina 112).

- Kies de leidingdiameter overeenkomstig de leidinglengte:
 - Lengte < 7,5 m: 1,5 mm²
 - Lengte > 7,5 m: 2,5 mm²

Zie afb. 11

- Steek de 4-polige stekker van de ontvanger in de IR-bus van de airco onder de bank **(1)**.
- Steek de 230V~stekker **(2)** in een 230V~-stopcontact.

7.8 Luchtgeleiding

Zie afb. 12

Realiseer de luchtgeleiding met kanalen van gebruikelijke onderdelen (**niet** bij de levering inbegrepen). Het is raadzaam kartonnen buizen te gebruiken voor airco's die vanbinnen met aluminium en vanbuiten met PVC bekleed zijn. De inwendige nominale diameter van deze buizen moet 60 mm bedragen, de buitendiameter 65 mm.

De ventilatiebuizen worden met behulp van de kegelboring door druk aan de luchtuitlaat verbonden.

De buizen worden aangesloten op de registeruitgang.

Voor een optimale capaciteit wordt aanbevolen:

- leg de luchtleidingen zo kort en recht mogelijk
- beperkt de buislengte tot 5 m
- leg de buizen niet in de buurt van warmtebronnen

De omgevingslucht wordt aangezogen door een rooster of andere openingen met een dwarsdoorsnede die geschikt is voor een luchtstroom van minstens 300 cm². De luchtopening moet in de buurt van het toestel worden aangebracht. Als dit niet mogelijk is, mag de luchtgeleiding niet door voorwerpen worden gehinderd; leg eventueel een luchtkanaal aan tussen de luchtopening en het toestel.



INSTRUCTIE

Isoleer de buizen met geschikt isolatiemateriaal (niet meegeleverd) om condensatie op de buizen te voorkomen.

De omgevingslucht moet uit de binnenruimte van het voertuig worden aangezogen; bij toevoer van buitenlucht kan de capaciteit van het toestel aanzienlijk worden verminderd.

8 Verhelpen van storingen

Storing	Oorzaak	Oplossing
Geen koelvermogen	De airco onder de bank is niet op koelen ingesteld.	► Stel de airco onder de bank in op koelen.
	De omgevingstemperatuur is hoger dan 52 °C.	De airco onder de bank is uitsluitend ontworpen voor een omgevingstemperatuur tot 52 °C.
	De ingestelde temperatuur is hoger dan de ruimtetemperatuur.	► Selecteer een lagere temperatuur.
	De omgevingstemperatuur is lager dan 16 °C.	De airco onder de bank is uitsluitend ontworpen voor een omgevingstemperatuur vanaf 16 °C.
	De warmte-isolatie is defect.	► Neem contact op met een geautoriseerde werkplaats.
	De compressor is beschadigd.	
	Er is niet voldoende koelmiddel gevuld.	
Het register van de warmtewisselaar is verontreinigd.		
De buitenste ventilator is defect.		
Geen verwarmingsvermogen	De airco onder de bank is niet op verwarmen ingesteld.	► Zet de airco onder de bank in op verwarmen.
	De omgevingstemperatuur ligt onder 0 °C.	De airco onder de bank is uitsluitend ontworpen voor een omgevingstemperatuur hoger dan 0 °C.
	De ingestelde temperatuur is lager dan de ruimtetemperatuur.	► Selecteer een hogere temperatuur.
	De omgevingstemperatuur is hoger dan 31 °C.	De temperatuur kan worden ingesteld tussen 16 °C en 31 °C.
	De warmte-isolatie is defect.	► Neem contact op met een geautoriseerde werkplaats.
	De compressor is beschadigd.	
	Er is niet voldoende koelmiddel gevuld.	
Het register van de warmtewisselaar is verontreinigd.		
De buitenste ventilator is defect.		

Storing	Oorzaak	Oplossing
Slecht luchtvermogen	Het luchtfilter is verstopt.	➤ Reinig het luchtfilter.
	Het register van de warmtewisselaar is verontreinigd.	➤ Neem contact op met een geautoriseerde werkplaats.
	De binnenste ventilator is defect.	
Waterlekken in het voertuig	De afvoeropeningen voor condenswater zijn verstopt.	➤ Reinig de afvoeropeningen voor condenswater.
	De afdichtingen zijn beschadigd.	➤ Neem contact op met een geautoriseerde werkplaats.
De airco onder de bank schakelt niet in	Er is geen voedingsspanning (230 V~) aanwezig.	➤ Controleer de spanningsvoorziening.
	De spanning is te laag (onder 200 V~). De spanningsomvormer is defect.	➤ Neem contact op met een geautoriseerde werkplaats.
	De warmte-isolatie is defect.	
	De elektrische beveiliging van de spanningsvoorziening is te laag.	➤ Controleer de elektrische beveiliging van de spanningsvoorziening.
De airco onder de bank stopt met werken	Het luchtfilter is verstopt.	➤ Reinig het luchtfilter.
	De spanning is te laag (onder 200 V~). De spanningsomvormer is defect.	➤ Neem contact op met een geautoriseerde werkplaats.
	De warmte-isolatie is defect.	
	De condensatorventilator is beschadigd.	
	Het register van de warmtewisselaar is verontreinigd.	
De buitenste ventilator is defect.		
De airco onder de bank schakelt niet uit	Eén van de temperatuursensoren is defect.	➤ Neem contact op met een geautoriseerde werkplaats.

9 Afvoer

Voorschriften voor milieubescherming en vakkundige afvoer

Alle organisaties moeten diverse maatregelen treffen om de invloed die hun activiteiten (fabricage, producten, service, enz.) op het milieu hebben, te herkennen, te beoordelen en te controleren.

Bij de te treffen maatregelen voor de herkenning van aanzienlijke effecten op het milieu dient rekening te worden gehouden met de volgende factoren:

- gebruik van grondstoffen en natuurlijke hulpbronnen
- emissies in de atmosfeer
- vrijkomen van vloeistoffen
- afvoer en recycling
- bodemverontreiniging

Om de gevolgen voor het milieu te minimaliseren, geeft de fabrikant hierna een aantal aanwijzingen waarmee iedereen rekening dient te houden die (om welke reden dan ook) tijdens de levensduur met het toestel te maken heeft.

- Het volledige verpakkingsmateriaal dient overeenkomstig de wettelijke voorschriften van het land waarin de afvoer plaatsvindt, te worden afgevoerd (bij voorkeur gerecycled).
- Alle productcomponenten dienen overeenkomstig de wettelijke voorschriften van het land waarin de afvoer plaatsvindt, te worden afgevoerd (bij voorkeur gerecycled).
- Voor de correcte afvoer moet het toestel naar een geautoriseerd recyclingcentrum worden gebracht, zodat gegarandeerd is dat alle recyclebare componenten worden hergebruikt en de overige materialen correct worden behandeld.
- Zorg er tijdens de installatie voor dat de ruimte voldoende is geventileerd om te voorkomen dat er benauwde lucht ontstaat die schadelijk kan zijn voor de gezondheid van de bediener.
- Zorg er tijdens het gebruik en de onderhoudswerkzaamheden voor dat alle schadelijke afvalproducten (olie, vet e.d.) volgens de voorschriften worden afgevoerd.
- Houd het geluidsniveau ter beperking van de geluidsoverlast laag.

Aanvullende informatie over de correcte demontage van onze producten vindt u in de recycling-handleidingen op www.dometic.com.

- ▶ Laat het verpakkingsmateriaal indien mogelijk recycleren.
- ▶ Let er tijdens het gebruik en bij reparaties en onderhoudswerkzaamheden op dat het koelcircuit niet beschadigd raakt en het koelmiddel niet kan ontsnappen. Het werkt als broeikasgas en mag niet in het milieu terecht komen.



Als u het product definitief buiten bedrijf stelt, vraagt u bij het dichtstbijzijnde recyclingcentrum of uw dealer naar de betreffende afvoervorschriften.

- ▶ Voer het product uitsluitend af bij een geautoriseerd afvoerbedrijf overeenkomstig de geldende recycling- of afvoervorschriften.

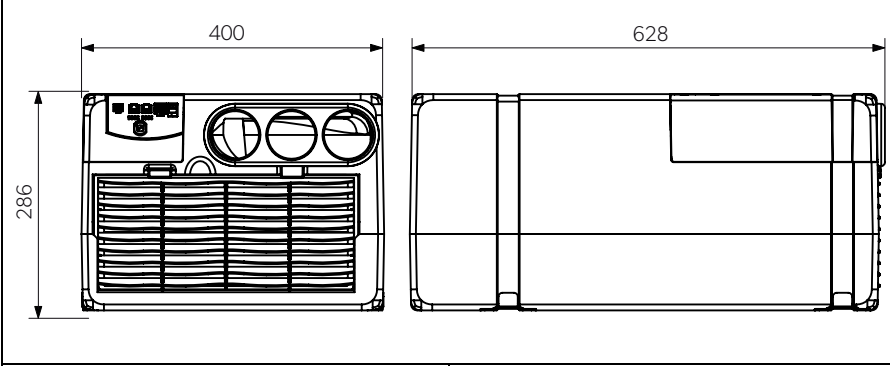



Bescherm uw milieu!

Accu's en batterijen horen niet thuis in het huishoudelijke afval. Geef uw defecte of verbruikte of defecte accu's bij de leverancier of bij een verzamelpunt af.

10 Technische gegevens

	FreshWell 3000
Artikelnr.:	9105306670
Koelvermogen conform ISO 5151:	2700 W
Verwarmingsvermogen:	3000 W (2500 W + 500 W aanvullend verwarmingselement)
Nominale ingangsspanning:	230 V~ / 50 Hz
Stroomgebruik:	Koelen: 4,3 A Verwarmen: 4,8 A
Fusibile necessario:	5 A
Bedrijfstemperatuur:	0 °C tot +52 °C
Koelmiddel:	R-410A
Koelmiddelhoeveelheid:	0,6 kg
CO ₂ -equivalent:	1,2528 t
Aardopwarmingsvermogen (GWP):	2088
Aanvullende verwarmingselement:	500 W
Ventilator:	3 ventilatorstanden 1 automatische modus
Beschermklasse:	IP X5
Max. ruimte-inhoud van het voertuig (met geïsoleerde wanden):	30 m ³
Afmetingen l x b x h (mm):	628 x 400 x 286

FreshWell 3000	
	
Gewicht:	ca. 21 kg
Keurmerk/certificaat:	

Bevat gefluoreerde broeikasgassen

Hermetisch afgesloten apparatuur

Læs denne vejledning omhyggeligt igennem før installation og ibrugtagning, og opbevar den. Giv den til brugeren, hvis du giver produktet videre.

Indholdsfortegnelse

1	Forklaring af symbolerne	114
2	Sikkerheds- og installationshenvisninger	115
3	Målgruppe for denne vejledning	117
4	Leveringsomfang	117
5	Korrekt brug	117
6	Identifikationskilte	118
7	Montering	118
8	Udbedring af fejl	124
9	Bortskaffelse	126
10	Tekniske data	128

1 Forklaring af symbolerne



ADVARSEL!

Sikkerhedshenvisning: Manglende overholdelse kan medføre død eller alvorlig kvæstelse.



FORSIGTIG!

Sikkerhedshenvisning: Manglende overholdelse kan medføre kvæstelser.



VIGTIGT!

Manglende overholdelse kan medføre materielle skader og begrænse produktets funktion.



BEMÆRK

Supplerende informationer om betjening af produktet.

2 Sikkerheds- og installationshenvisninger

Overhold sikkerhedshenvisningerne og pålæggene, der er foreskrevet af køretøjsproducenten og af automobilbranchen!

Producenten påtager sig intet ansvar for skader i følgende tilfælde:

- Beskadigelser på produktet på grund af mekanisk påvirkning og overspænding
- Ændringer på produktet uden udtrykkelig tilladelse fra producenten
- Anvendelse til andre formål end dem, der er beskrevet i vejledningen

Overhold følgende grundlæggende sikkerhedsforanstaltninger ved brug af elektriske apparater for at beskytte mod:

- Elektrisk stød
- Brandfare
- Kvæstelser

2.1 Omgang med apparatet



ADVARSEL!

- Montering af og reparationer på klimaanlægget til montering i et magasin må kun foretages af fagfolk, der kender farerne, der er forbundet hermed, og de pågældende forskrifter. Ved ukorrekte reparationer kan der opstå betydelige farer. Ved reparationer skal du henvende dig til serviceafdelingen i dit land (adresser på bagsiden).
- **El-apparater er ikke legetøj!**
Børn er ikke i stand til at vurdere farer, der udgår fra elektriske apparater. Lad ikke børn benytte elektriske apparater uden opsyn.
- Personer, der på grund af deres fysiske, sans- eller mentale evner eller deres uerfarenhed eller uvidenhed ikke er i stand til at anvende apparatet sikkert, bør kun anvende dette apparat under en ansvarlig persons opsyn eller anvisning.
- Anvend kun tilladte slukningsmidler i tilfælde af brand. Anvend ikke vand til slukning.

**FORSIGTIG!**

- Klimaanlægget til montering i et magasin skal installeres sikkert, så det ikke kan falde ned.
- Anvend kun klimaanlægget til montering i et magasin, hvis kabinettet og ledningerne er ubeskadigede.
- Anvend ikke klimaanlægget til montering i et magasin i nærheden af antændelige væsker.
- Brændbare genstande må ikke placeres eller monteres, hvor luften strømmer ud. Afstanden skal være på min. 50 cm.
- Grib ikke i ventilationsudgange, og stik ikke fremmedlegemer ind i anlægget.

**VIGTIGT!**

- Anvend kun apparatet til det formål, som det er bestemt til.
- Klimaanlægget til montering i et magasin er ikke egnet til anvendelse i landbrugs- og entreprenørmaskiner.
- Foretag ikke ændringer af apparatet eller ombygninger på det.
- Hvis der opstår fejl i anlæggets kølemiddelkredsløb, skal anlægget kontrolleres af fagfolk og repareres korrekt. Kølemidlet må under ingen omstændigheder lukkes ud i atmosfæren.

2.2 Omgang med elektriske ledninger

**ADVARSEL!**

- Den elektriske tilslutning må kun foretages af fagfolk (f.eks. i Tyskland VDE 0100, del 721).

**FORSIGTIG!**

- Fastgør og træk ledningerne, så der ikke er fare for at falde over dem og en beskadigelse af kablet er udelukket.

**VIGTIGT!**

- Hvis ledninger skal føres gennem vægge med skarpe kanter, skal du anvende tomme rør eller ledningsgennemføringer.
- Træk ikke ledninger løst eller med skarpe knæk ved elektrisk ledende materialer (metal).
- Træk ikke i ledninger.

3 Målgruppe for denne vejledning

Denne vejledning henvender sig til fagfolk i værksteder, der kender forskrifterne og sikkerhedsforanstaltningerne, der skal anvendes.

4 Leveringsomfang

Nr. på fig. 1	Antal	Betegnelse
1	1	Klimaanlæg til montering i et magasin
2	1	Fjernbetjening
3	1	Modtager
4	4	Luftfilter
5	2	Fastgørelsesvinkel
6	4	Fastgørelsesbøjle
7	14	Fastgørelsesskrue
8	2	Afløbsrør
9	2	Udvendigt gitter
–	1	Installationskabelon

5 Korrekt brug

Klimaanlægget til magasiner Dometic FreshWell 3000 (art.nr. 9105306670) er udelukkende egnet til autocampere, campingvogne og andre køretøjer med boligrum. Det er **ikke** egnet til huse eller lejligheder.

Klimaanlægget til montering i et magasin er **ikke** egnet til installation i entreprenørmaskiner, landbrugsmaskiner eller lignende arbejdsudstyr. Ved for kraftig vibrationspåvirkning er en korrekt funktion ikke garanteret.

Funktionen for FreshWell 3000 er garanteret for temperaturer mellem 0 °C og 52 °C.



BEMÆRK

Yderligere informationer om klimaanlægget til montering i et magasin som f.eks. den tekniske beskrivelse eller betjeningen findes i betjeningsvejledningen.

6 Identifikationsskilte

På klimaanlægget til montering i et magasin Dometic FreshWell er der placeret identifikationsskilte. Disse identifikationsskilte informerer brugeren og installatøren om apparatets specifikationer.

7 Montering



FORSIGTIG! Fare for kvæstelser!

Klimaanlægget til montering i et magasin må udelukkende monteres af fagfolk med tilsvarende uddannelse. De efterfølgende informationer henvender sig til fagfolk, der kender forskrifterne og sikkerhedsforanstaltningerne, der skal anvendes.

7.1 Henvisninger vedr. monteringen

Før klimaanlægget til montering i et magasin monteres, skal denne monteringsvejledning læses fuldstændigt.

Følgende tips og henvisninger skal overholdes, når klimaanlægget til montering i et magasin monteres:



FARE! Livsfare på grund af elektrisk stød!

Afbryd alle spændingsforsyninger, når der arbejdes på klimaanlægget til montering i et magasin.



FORSIGTIG! Fare for kvæstelser!

- En forkert montering af klimaanlægget kan føre til skader på apparatet, der ikke kan repareres, og kan reducere brugerens sikkerhed.
- Hvis klimaanlægget til montering i et magasin ikke installeres i overensstemmelse med denne monteringsvejledning, hæfter producenten hverken for driftsfejl eller for sikkerheden af klimaanlægget til montering i et magasin og især ikke for kvæstelser og/eller materielle skader.
- Bær den foreskrevne beskyttelsesbeklædning (f.eks. beskyttelsesbriller, beskytteshandsker) ved alle arbejder.

**VIGTIGT! Fare for beskadigelse!**

Vær altid opmærksom på køretøjets ligevægt og på at tætte alle åbninger, der er opstået ved monteringen, når klimaanlægget til montering i et magasin installeres.

Henvisninger vedr. transporten

- Vær altid to om at bære klimaanlægget til montering i et magasin.
- Løft altid klimaanlægget til montering i et magasin, hvis du vil flytte det, træk det ikke henover gulvet (fig. **2 A**).
- Anvend ikke de bageste ventilationsåbninger (fig. **2 B**) til at løfte.

Henvisninger vedr. monteringsstedet

- For at installere klimaanlægget til montering i et magasin skal der placeres åbningerne på gulvet. Der skal være let adgang til disse åbninger, og de må ikke tildekkes af køretøjets komponenter.
- Kontrollér, før klimaanlægget til montering i et magasin monteres, om klimaanlægget til montering i et magasin ved installationen evt. kan beskadige komponenter i køretøjet (f.eks. lamper, skabe, døre osv.).
- Brændbare genstande må ikke placeres eller monteres, hvor luften strømmer ud. Afstanden bør være på min. 50 cm.
- Monteringsfladens hældning må ikke være på mere end 10°.
- Når klimaanlægget til montering i et magasin installeres (når der bores, skrues osv.), skal det kontrolleres, at der ikke befinder sig kabelbundter, ledninger og andre komponenter, der ikke kan ses, i monteringsområdet!
- Installér klimaanlægget til montering i et magasin så centralt som muligt i et rum eller en tilsvarende anordning for at opnå en optimal klimatisering af køretøjet.
- Vælg en plads, der er nem adgang til ved vedligeholdelsesarbejder og ved montering og afmontering af apparatet.
- Læg installationsskabelonen i det valgte rum, og kontrollér, at der tilstrækkeligt plads til åbningerne i bunden.
- For at minimere lyd- og svingningsoverførsel under driften skal klimaanlægget til montering i et magasin have en minimumafstand til vægge og møbler på 30 mm hele vejen rundt.
- Apparatet skal installeres på bunden.
- Lad der være en afstand på 200 mm mellem apparatets forside og rummets sider for at gøre det lettere at udskifte filteret.

- Ved montering af apparatet i et rum uden for køretøjet (f.eks. hulrum under gulvet) skal luften, der skal behandles, suges ind fra køretøjets indre.
- Indsugningen af luft udefra kan reducere anlæggets effekt betydeligt.

Henvisninger vedr. el-systemet (se fig. 13)

Nr. på fig. 13	Betegnelse
1	Ventilatormotor (indvendig)
2	Ventilatormotor (udvendig)
3	Kondensator
4	Kompressor
5	Temperatursensor
6	Printplade
7	Printplade display
8	PCB-interface
9	Softstart
10	Ventil
11	Modstand

- Lad kun en elektriker tilslutte klimaanlægget til montering i et magasin elektrisk.
- Sammenlign spændingsangivelsen på typeskiltet med energiforsyningen, der er til rådighed.
- Træk ikke ledninger løst eller med skarpe knæk ved elektrisk ledende materialer (metal).
- Montér en kontakt, der afbryder alle ledere, med en kontaktåbning på mindst 3 mm på monteringsiden.

7.2 Fremstilling af åbninger

Se fig. 3

- Tegn åbningernes placering og størrelse ved hjælp af skabelonen, der er indeholdt i emballagen **(A og B)**.

Se fig. 4

- Bor hjørnerne ud **(A)**.
- Skær åbningen på taget omhyggeligt ud med en stiksav el. lign **(B)**. Sørg i den forbindelse for, at elektriske kabler ikke beskadiges.
- Bor en afløbsåbning til kondensvand med en diameter på 32 mm **(C)**.

Se fig. 5

- Markér positionen for fastgørelsesvinklen **(A)** og fastgørelsesbøjlen **(B)**.

7.3 Fastgørelse af fastgørelsesbøjlen og remmene

Se fig. 6

- Fastgør de fire fastgørelsesbøjler **(A)**.
- Træk remmene gennem fastgørelsesbøjlerne **(B)**.
- Montér afløbsrørene under klimaanlægget til magasiner **(C)**.
- Fastgør klimaanlægget til montering i et magasin med remmene **(D)**.

7.4 Fastgørelse af fastgørelsesvinklen

Se fig. 7

- Fastgør klimaanlægget til montering i et magasin med de to fastgørelsesvinkler og tre fastgørelsesskruer på hver som vist.

7.5 Fastgørelse af det udvendige gitter

Se fig. 8

- Fastgør det udvendige gitter som vist med skruerne og skiverne, der er indeholdt i leveringsomfanget.

7.6 Fastgørelse af modtageren

Se fig. 9

- Bor en åbning på 50 mm i væggen.

Se fig. 10

- Træk dette kabel gennem åbningen til klimaanlægget til montering i et magasin.
- Fastgør modtageren som vist:

7.7 Trækning af tilslutningsledninger



FARE! Livsfare på grund af elektrisk stød!

Før arbejder på elektrisk drevne komponenter skal det kontrolleres, at der ikke længere er tilsluttet spænding!

Klimaanlægget til montering i et magasin skal tilsluttes til en strømkreds, der kan levere den påkrævede strøm (se kapitlet „Tekniske data“ på side 128).

- Vælg ledningstværsnittet i overensstemmelse med ledningslængden:
 - Længde < 7,5 m: 1,5 mm²
 - Længde > 7,5 m: 2,5 mm²

Se fig. 11

- Sæt modtagerens stik med 4 ledere i den infrarøde bøsning på klimaanlægget til montering i et magasin (1).
- Sæt 230 V~-sikket (2) i en 230 V~-stikdåse.

7.8 Luftføring

Se fig. 12

Realisér luftføringen med kanaler af almindelige komponenter (**ikke** indeholdt i leveringsomfanget). Det anbefales at anvende paprør til klimaanlæg med indvendig beklædning af aluminium og udvendig PVC-beklædning. Disse rørs nom. indvendige diameter skal være 60 mm, den udvendige diameter 65 mm.

Ventilationsrørene forbindes med luftudgangen uden tryk ved hjælp af kegleboringen.

Rørene tilsluttes til registerudgangen.

Til optimal effekt anbefales:

- Træk luftledningern så kort og retlinjet som muligt
- Begræns rørlængde til maks. 5 m
- Træk ikke rørene i nærheden af varmekilder

Cirkulationsluften suges ind gennem et gitter eller andre åbninger med et tværsnit, der er dimensioneret til en luftstrøm på mindst 300 cm². Cirkulationsluftåbningen skal placeres i nærheden af apparatet. Hvis det ikke er muligt, må luftføringen ikke begrænses af genstande. Lav evt. en luftkanal mellem åbningen og apparatet.



BEMÆRK

Isolér rørene med egnet isoleringsmateriale (ikke indeholdt i leveringsomfanget) for at undgå kondensation på rørene.

Cirkulationsluften skal tages fra køretøjets indre. Ved tilførsel af luft udefra kan apparatets effekt begrænses betydeligt.

8 Udbedring af fejl

Fejl	Årsag	Udbedring	
Ingen kølekapacitet	Klimaanlægget til montering i et magasin er ikke indstillet til afkøling.	➤ Stil klimaanlægget til montering i et magasin på afkøling.	
	Udenomstemperaturen er højere end 52 °C.	Klimaanlægget til montering i et magasin er kun beregnet til en udenomstemperatur indtil 52 °C.	
	Den indstillede temperatur er højere end rumtemperaturen.	➤ Vælg en lavere temperatur.	
	Udenomstemperaturen er lavere end 16 °C.	Klimaanlægget til montering i et magasin er kun beregnet til en udenomstemperatur fra 16 °C.	
	Varmebeskyttelsen er defekt.	➤ Kontakt et autoriseret værksted.	
	Kompressoren er beskadiget.		
Ingen varmekapacitet	Kølemiddelpåfyldningen er utilstrækkelig.	➤ Kontakt et autoriseret værksted.	
	Varmevekslerens register er tilsmudset.		
	Den ydre blæser er defekt.		
	Klimaanlægget til magasiner er ikke indstillet til opvarmning.		➤ Indstil klimaanlægget til magasiner til opvarmning.
	Udenomstemperaturen er under 0 °C.		Klimaanlægget til magasiner er kun beregnet til en udenomstemperatur over 0 °C.
	Den indstillede temperatur er lavere end rumtemperaturen.		➤ Vælg en højere temperatur.
Dårlig luftkapacitet	Udenomstemperaturen er højere end 31 °C.	Temperaturen kan indstilles mellem 16 °C og 31 °C.	
	Varmebeskyttelsen er defekt.	➤ Kontakt et autoriseret værksted.	
	Kompressoren er beskadiget.		
	Kølemiddelpåfyldningen er utilstrækkelig.	➤ Rengør luftfilteret.	
	Varmevekslerens register er tilsmudset.		
	Den ydre blæser er defekt.		
Dårlig luftkapacitet	Luftfilteret er tilstoppet.	➤ Kontakt et autoriseret værksted.	
	Varmevekslerens register er tilsmudset.		
	Den indre blæser er defekt.		

Fejl	Årsag	Udbedring
Der trænger vand ind i køretøjet	Afløbsåbningerne til kondensvand er tilstoppede.	➤ Rengør afløbsåbningerne til kondensvand.
	Tætningerne er beskadigede.	➤ Kontakt et autoriseret værksted.
Klimaanlægget til montering i et magasin tilkobles ikke	Der er ingen forsyningsspænding (230 V~).	➤ Kontrollér spændingsforsyningen.
	Spændingen er for lav (under 200 V~). Spændingstransformeren er defekt.	➤ Kontakt et autoriseret værksted.
	Varmebeskyttelsen er defekt.	
	Den elektriske sikring af spændingsforsyningen er for lav.	➤ Kontrollér den elektriske sikring af spændingsforsyningen.
Klimaanlægget til montering i et magasin indstiller driften	Luftfilteret er tilstoppet.	➤ Rengør luftfilteret.
	Spændingen er for lav (under 200 V~). Spændingstransformeren er defekt.	➤ Kontakt et autoriseret værksted.
	Varmebeskyttelsen er defekt.	
	Kondensatorblæseren er beskadiget.	
	Varmevekslerens register er tilsmudset.	
	Den ydre blæser er defekt.	
Klimaanlægget til montering i et magasin frakobles ikke	En af temperaturfølerne er defekt.	➤ Kontakt et autoriseret værksted.

9 Bortskaffelse

Forskrifter for miljøbeskyttelse og korrekt bortskaffelse

Alle organisationer skal anvende en række foranstaltninger til at registrere, analysere og kontrollere påvirkningen, som deres aktiviteter (produktion, produkter, service osv.) har på miljøet.

Foranstaltningerne, der skal følges for at registrere betydelige virkninger på miljøet, skal tage højde for følgende faktorer:

- Anvendelse af råstoffer og naturlige ressourcer
- Atmosfæriske emissioner
- Udløbende væsker
- Bortskaffelse og recycling
- Kontaminering af jorden

For at minimere virkningerne på miljøet angiver producenten efterfølgende en række tegn, som alle, der (uanset af hvilken grund) interagerer med apparatet i dets levetid, skal tage højde for.

- Det samlede emballeringsmateriale skal bortskaffes (så vidt muligt recycles) i overensstemmelse med de lovmæssige forskrifter i landet, hvor bortskaffelsen finder sted.
- Alle produktkomponenter skal bortskaffes (så vidt muligt recycles) i overensstemmelse med de lovmæssige forskrifter i landet, hvor bortskaffelsen finder sted.
- Ved korrekt bortskaffelse skal apparatet overdrages til et autoriseret recycling-center, så det er sikret, at alle genanvendelige komponenter genanvendes og de resterende materialer behandles korrekt.
- Sørg under installationen for, at rummet er tilstrækkeligt ventileret, så det forhindres, at der opstår stillestående luft, der kan være skadelig for brugerens sundhed.
- Sørg under driften og vedligeholdelsen for, at alle skadelige affaldsprodukter (olie, fedt osv.) bortskaffes korrekt.
- Hold støjniveauet lavt for at reducere støjgenerne.

Yderligere informationer om korrekt deinstallation af vores produkter findes i recycling-vejledningerne på www.dometic.com.

- Bortskaf så vidt muligt emballagen sammen med det tilsvarende genbrugsaffald.
- Sørg under driften og ved reparationer og vedligeholdelsesarbejder for, at kølekredsløbet ikke beskadiges, og at kølemidlet ikke kan løbe ud. Det virker som drivhusgas og bør ikke trænge ud i miljøet.



Hvis du tager produktet endegyldigt ud af drift, skal du kontakte det nærmeste recyclingcenter eller din faghandel for at få de pågældende forskrifter om bortskaffelse.

- Bortskaf kun produktet i overensstemmelse med de gældende recycling- og bortskaffelsesforskrifter hos et autoriseret bortskaffelsesfirma.



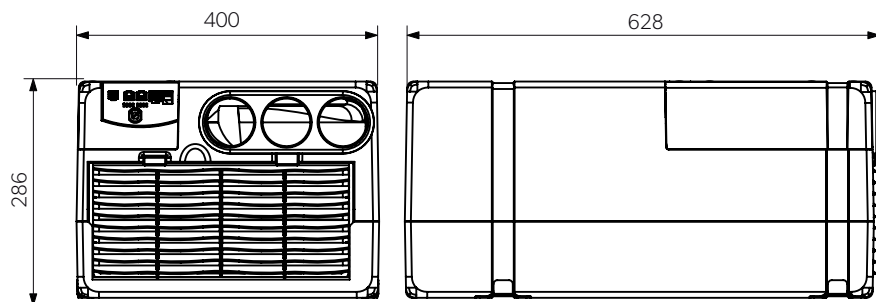
Beskyt miljøet!


Genopladelige og ikke genopladelige batterier hører ikke til i husholdningsaffaldet.

Aflevér defekte genopladelige batterier og brugte batterier hos forhandleren eller ved et indsamlingssted.

10 Tekniske data

	FreshWell 3000
Art.nr.:	9105306670
Kølekapacitet iht. ISO 5151:	2700 W
Varmekapacitet:	3000 W (2500 W + 500 W ekstra varmeelement)
Nominel indgangsspænding:	230 V~/50 Hz
Strømforbrug:	Afkøling: 4,3 A Opvarmning: 4,8 A
Påkrævet sikring:	5 A
Driftstemperaturområde:	0 °C til +52 °C
Kølemiddel:	R-410A
Kølemiddelmængde:	0,6 kg
CO ₂ -ækvivalent:	1,2528 t
Drivhuspotential (GWP):	2088
Ekstra varmeelement:	500 W
Blæser:	3 blæsertrin 1 automatisk modus
Kapslingsklasse:	IP X5
Køretøjets maks. rumvolumen (med isolerede vægge):	30 m ³
Mål L x B x H (mm):	628 x 400 x 286



	FreshWell 3000
Vægt:	ca. 21 kg
Godkendelse/certifikat:	

Indeholder fluorerede drivhusgasser

Hermetisk lukkede anlæg eller hermetisk lukket udstyr

Läs igenom anvisningarna noga innan produkten monteras och används. Spara monterings- och bruksanvisningen för senare bruk. Överlämna bruksanvisningen till den nya ägaren vid ev. vidareförsäljning.

Innehållsförteckning

1	Förklaring av symboler	130
2	Säkerhets- och installationsanvisningar	131
3	Målgrupp	133
4	Leveransomfattning	133
5	Ändamålsenlig användning	133
6	Typskyltar	134
7	Montering	134
8	Åtgärder vid störningar	139
9	Avfallshantering	140
10	Tekniska data	142

1 Förklaring av symboler



VARNING!

Observera: Beaktas anvisningen ej kan det leda till dödsfara eller svåra skador.



AKTA!

Observera: Beaktas anvisningen ej kan det leda till kroppsskador.



OBSERVERA!

Om anvisningarna inte beaktas kan det leda till materialskador och produktens funktion kan påverkas negativt.



ANVISNING

Kompletterande information om användning av produkten.

2 Säkerhets- och installationsanvisningar

Beakta säkerhetsanvisningarna och riktlinjerna från fordonstillverkaren samt reglerna för bilmekaniska arbeten!

Tillverkaren övertar inget ansvar för skador i följande fall:

- skador på produkten, orsakade av mekanisk påverkan eller överspänning
- ändringar som utförts utan uttryckligt medgivande från tillverkaren
- ej ändamålsenlig användning

Beakta nedanstående grundläggande säkerhetsanvisningar för elapparater för att förhindra:

- elstötar
- brandfara
- skador

2.1 Handhavande



WARNING!

- Montering av och reparationer på klimatanläggningen får endast genomföras av härför utbildad personal, som är förtrogen med riskerna och gällande föreskrifter. Icke fackmässiga reparationer kan leda till att allvarliga faror uppstår. Vänd dig till ett servicekontor när det gäller reparationer (adresser finns på baksidan).
- **Elapparater är inga leksaker!**
I samband med elektriska apparater kan det uppstå farliga situationer som barn är ovetande om. Låt inte barn använda elektriska apparater utan uppsikt.
- Personer, som på grund av fysiska, sensoriska eller mentala funktionshinder eller på grund av oerfarenhet eller ovetande inte kan använda apparaten på ett säkert sätt, bör inte använda apparaten utan uppsikt eller hjälp av en ansvarig person.
- Vid brand: använd endast godkända släckningsmedel. Använd inte vatten för att släcka elden.

**AKTA!**

- Klimatanläggningen måste installeras säkert så att den inte kan falla ner!
- Använd endast klimatanläggningen när apparathöljet och kablarna är oskadade!
- Använd inte klimatanläggningen i närheten av antändliga vätskor.
- Se till att inga brännbara föremål finns i närheten av luftutsläppet. Avståndet måste vara minst 50 cm.
- Stick inte in händerna i ventilationsöppningarna, stick inte in några främmande föremål i anläggningen.

**OBSERVERA!**

- Använd endast apparaten för angivna ändamål.
- Klimatanläggningen för förvaringsutrymmen är inte avsedd för byggmaskiner eller jordbruksmaskiner.
- Gör inga ändringar eller ombyggnader på apparaten.
- Om det uppstår fel i köldmediekretsen måste anläggningen provas och repareras av behöriga installatörer. Köldmediet får absolut inte släppas ut i atmosfären.

2.2 Elledningar

**VARNING!**

- Elanslutningarna får bara utföras av behörig elektriker (t.ex. Tyskland: VDE 0100, Teil 721).

**AKTA!**

- Dra och fäst kablarna så att man inte kan snubbla över dem och så att de inte kan skadas.

**OBSERVERA!**

- Använd tomma rör eller kabelgenomföringar om kablarna ska dras genom väggar med vassa kanter.
- Lägg inte kablarna löst eller med skarpa böjar på elektriskt ledande material (metall).
- Dra inte i kablarna.

3 Målgrupp

Den här monteringsanvisningen riktar sig till behöriga installatörer i verkstäder som har kännedom om gällande direktiv/föreskrifter och säkerhetsåtgärder.

4 Leveransomfattning

Nr på bild 1	Antal	Beteckning
1	1	Klimatanläggning för förvaringsutrymmen
2	1	Fjärrkontroll
3	1	Mottagare
4	4	Luftfilter
5	2	Fästvinklar
6	4	Fästbyglar
7	14	Fästsruvar
8	2	Avloppsror
9	2	Utomhusgaller
-	1	Installationsschablon

5 Ändamålsenlig användning

Klimatanläggningen för förvaringsutrymmen Dometic FreshWell 3000 (art.nr 9105306670) är avsedd endast för husbilar, husvagnar och andra fordon med ytor för boende. Den är **inte** avsedd att användas i hus eller lägenheter.

Klimatanläggningarna för förvaringsutrymmen är **inte** avsedda för byggmaskiner, jordbruksmaskiner eller andra arbetsmaskiner. För starka vibrationer inverkar negativt på anläggningens funktioner.

FreshWell 3000 fungerar garanterat för temperaturer från 0 °C till 52 °C.



ANVISNING

Övrig information om klimatanläggningen, som teknisk beskrivning och beskrivning av funktionerna/användningen finns i bruksanvisningen.

6 Typskyltar

Klimatanläggningen för förvaringsutrymmen, Dometic FreshWell, har typskyltar. Typskyltarna informerar användare och installatörer om anläggnings-specifikationerna.

7 Montering



AKTA! Risk för skador!

Klimatanläggningen får endast installeras av behöriga installatörer. Informationen nedan riktar sig till installatörer som har kännedom om gällande direktiv/föreskrifter och säkerhetsåtgärder.

7.1 Anvisningar för montering

Läs hela monteringsanvisningen innan klimatanläggningen monteras.

Följande tips och anvisningar måste observeras vid montering av klimatanläggningen:



FARA! Risk för strömstötter – livsfara!

Stäng alltid av hela strömförsörjningen innan arbeten utförs på klimatanläggningen.



AKTA! Risk för skador!

- Om klimatanläggningen monteras på ett felaktigt sätt kan det påverka säkerheten och/eller leda till att anläggningen förstörs.
- Tillverkaren övertar inte något ansvar om klimatanläggningen inte monteras enligt den här monteringsanvisningen; inte för driftstörningar, inte för klimatanläggningens säkerhet och speciellt inte för person- och/eller materialskador.
- Använd föreskriven skyddsutrustning vid alla arbeten (t.ex. skyddsglasögon, skyddshandskar).



OBSERVERA! Risk för skador!

Beakta fordonets statiska egenskaper och täta alla öppningar när klimatanläggningen monteras.

Anvisningar för transport

- Klimatanläggningen ska alltid bäras av två personer.
- Lyft alltid klimatanläggningen när den ska flyttas, dra den inte över golvet (bild **2 A**).
- Använd inte ventilationsöppningarna (bild **2 B**) för att lyfta apparaten.

Information om monteringsplatsen

- För att klimatanläggningen ska kunna installeras behövs det öppningar i golvet. Öppningarna ska vara lätt åtkomliga och får inte täckas över av andra föremål/fordonsdelar.
- Kontrollera alltid om fordonskomponenter kan skadas genom monteringen av klimatanläggningen (t.ex. lampor, skåp, dörrar etc) innan installationen görs.
- Se till att inga brännbara föremål finns i närheten av luftutsläppet. Avståndet bör vara minst 50 cm.
- På monteringsytan får lutningen inte vara större än 10°.
- Var, av säkerhetsskäl, uppmärksam på existerande kablar, ledningar och andra komponenter (speciellt sådana som inte syns utifrån) vid monteringen (borring, skruvning etc)!
- För optimal effekt ska klimatanläggningen installeras i ett litet förvaringsutrymme el.dyl på ett så centralt ställe som möjligt i fordonet.
- Välj en plats som är lätt åtkomlig för underhåll, montering och demontering.
- Lägg installationsschablonen på monteringsplatsen och kontrollera att det finns tillräckligt utrymme för golvöppningarna.
- För att minimera risken för buller- och vibrationsöverföring bör man montera klimatanläggningen så att avståndet till väggar eller möbler är minst 30 mm.
- Apparaten måste installeras på golvet.
- För att underlätta filterbyten ska avståndet mellan apparatens framsida och förvaringsutrymmets sidor vara 200 mm.
- Om apparaten monteras utanför fordonets innerutrymme (t. ex. förvaringsutrymme under golvet) måste luften som ska behandlas sugas in inifrån fordonet.
- Utomhusluft kan leda till att anläggningens kapacitet reduceras.

Elanslutning (se bild 13)

Nr på bild 13	Beteckning
1	Fläktmotor (inre)
2	Fläktmotor (yttre)
3	Kondensor
4	Kompressor
5	Temperaturgivare
6	Kretskort
7	Kretskort display
8	PCB-gränssnitt
9	Mjukstart
10	Ventil
11	Motstånd

- Låt endast en behörig elektriker ansluta elen till klimatanläggningen.
- Jämför spänningssuppgifterna på typskylten med elförsörjningen på plats.
- Lägg inte kablar löst eller med skarpa böjar på elektriskt ledande material (metall).
- Anordna en allpolig brytare med minst 3 mm kontaktavstånd på monteringsidan.

7.2 Golvöppningar**Se bild 3**

- Markera öppningarnas läge och storlek med hjälp av den medföljande schablonen (**A** och **B**).

Se bild 4

- Borra hörnen (**A**).
- Skär noggrant ut öppningen med en sticksåg eller dylikt (**B**).
Se till att inga elkablar skadas.
- Borra en avloppsöppning för kondensvatten (**C**), öppningens diameter ska vara 32 mm.

Se bild 5

- Markera var fästvinkeln **(A)** och fästskenan ska placeras **(B)**.

7.3 Sätt fast fästskena och remmar**Se bild 6**

- Sätt fast de fyra fästbyglarna **(A)**.
- Dra remmarna genom fästbyglarna **(B)**.
- Montera fast avloppsröret under klimatanläggningen för förvaringsutrymmen **(C)**.
- Sätt fast klimatanläggningen med remmarna **(D)**.

7.4 Sätt fast fästvinkel**Se bild 7**

- Fäst klimatanläggningen med de två fästvinklarna och tre fästskruvar för varje vinkel (se bild).

7.5 Sätt fast utomhusgaller**Se bild 8**

- Utomhusgallret fästs enligt anvisning med hjälp av de skruvar och brickor som följer med leveransen.

7.6 Montera mottagaren**Se bild 9**

- Borra ett 50 mm-hål i väggen.

Se bild 10

- Dra kabeln till klimatanläggningen genom öppningen.
- Sätt fast mottagaren enligt bilden.

7.7 Dra anslutningskablar



FARA! Livsfara p.g.a. elektriska stötar!

Kontrollera att alla komponenter är spänningslösa innan några arbeten utförs på elinstallationen!

Klimatanläggningen måste anslutas till en strömkrets som kan leverera den ström som krävs (se kapitel "Tekniska data" på sidan 142).

- Välj rätt kabelarea till kabelns längd:
 - Längd < 7,5 m: 1,5 mm²
 - Längd < 7,5 m: 2,5 mm²

Se bild 11

- Anslut mottagarens 4-poliga kontakt till IR-uttaget på klimatanläggningen (**1**).
- Anslut 230 V~ -kontakten (**2**) till ett 230 V~ -uttag.

7.8 Luftkanaler

Se bild 12

Använd vanliga luftkanaler för anläggningen (ingår **inte** i leveransen). Rekommendation: använd papprör med innerbeläggning av aluminium och ytterbeläggning av PVC-plast. Rörens nominella invändiga diameter ska vara 60 mm och den utvändiga diametern 65 mm.

Med hjälp av den konformade öppningen på luftutsläppet ansluts ventilationsrören genom tryck.

Rören ansluts till värmexlaren utgång.

Rekommendation för optimal effekt:

- anordna så korta och raka luftkanaler som möjligt
- låt inte rören bli längre än totalt 5 m
- dra inte rören i närheten av värmekällor

Cirkulationsluften sugas in genom galler eller andra öppningar; arean ska vara dimensionerad för en luftström på minst 300 cm². Öppningen för cirkulationsluft ska vara i närheten av apparaten. Om detta inte är möjligt får luftflödet inte hindras av några föremål, anordna vid behov en luftkanal mellan öppningen och apparaten.



ANVISNING

Rören måste isoleras med lämpligt isoleringsmaterial (följer inte med leveransen) så att det inte bildas kondens på rören.

Cirkulationsluften måste tas inifrån fordonet; om utomhusluft tillförs kan det leda till betydligt reducerad kapacitet.

8 Åtgärder vid störningar

Fel	Orsak	Åtgärd
Ingen kyleffekt	Klimatanläggningen har inte ställts in på kylning.	➤ Ställ in klimatanläggningen på kylning.
	Omgivningstemperaturen högre än 52 °C.	Klimatanläggningen är bara avsedd för omgivningstemperaturer upp till 52 °C.
	Den inställda temperaturen är högre än rumstemperaturen.	➤ Välj en lägre temperatur.
	Omgivningstemperaturen är lägre än 16 °C.	Klimatanläggningen är bara avsedd för omgivningstemperaturer fr.o.m. 16 °C.
	Värmskyddet är defekt. Kompressorn är skadad. För lite köldmedium Värmeväxlarens lameller smutsiga. Den yttre fläkten är defekt.	➤ Kontakta en auktoriserad verkstad.
Ingen värmeeffekt	Klimatanläggningen har inte ställts in på uppvärmning.	➤ Ställ in klimatanläggningen på uppvärmning.
	Omgivningstemperaturen ligger på under 0 °C.	Klimatanläggningen är bara avsedd för omgivningstemperaturer över 0 °C.
	Den inställda temperaturen är lägre än rumstemperaturen.	➤ Välj en högre temperatur.
	Omgivningstemperaturen är högre än 31 °C.	Temperaturen kan ställas in på från 16 °C till 31 °C.
	Värmskyddet är defekt. Kompressorn är skadad. För lite köldmedium Värmeväxlarens lameller smutsiga. Den yttre fläkten är defekt.	➤ Kontakta en auktoriserad verkstad.

Fel	Orsak	Åtgärd
Dåligt luftflöde	Luftfiltret är tilltäppt.	➤ Rengör luftfiltret.
	Värmeväxlarens lameller smutsiga.	➤ Kontakta en auktoriserad verkstad.
	Den inre fläkten är defekt.	
Det kommer in vatten i fordonet.	Utloppsöppningarna för kondensvatten är tilltäppta.	➤ Rengör utloppsöppningarna för kondensvatten.
	Tätningarna skadade.	➤ Kontakta en auktoriserad verkstad.
Klimatanläggningen startar inte	Ingen försörjningsspänning (230 V~).	➤ Kontrollera strömförsörjningen.
	För låg spänning (under 200 V~). Spänningsomvandlaren defekt.	➤ Kontakta en auktoriserad verkstad.
	Värmeskyddet är defekt.	
	För lågt värde på säkringar till strömförsörjningen.	➤ Kontrollera säkringarna.
Klimatanläggningen slutar fungera.	Luftfiltret är tilltäppt.	➤ Rengör luftfiltret.
	För låg spänning (under 200 V~). Spänningsomvandlaren defekt.	➤ Kontakta en auktoriserad verkstad.
	Värmeskyddet är defekt.	
	Kondensorfläkten är skadad.	
	Värmeväxlarens lameller smutsiga.	
	Den yttre fläkten är defekt.	
Klimatanläggningen stängs inte av	En temperaturgivare är defekt.	➤ Kontakta en auktoriserad verkstad.

9 Avfallshantering

Föreskrifter för miljöskydd och korrekt avfallshantering

Alla organisationer måste genomföra ett flertal åtgärder för identifiering, utvärdering och kontroll av påverkan på miljön (vid tillverkning, service, på produkten, etc.).

Metoderna för identifiering av stor miljöpåverkan måste innefatta följande faktorer:

- Användning av råvaror och naturresurser
- Atmosfäriska utsläpp
- Läckande vätskor

- Avfallshantering och återvinning
- Markföroreningar

För att minimera påverkan på miljön fastställer tillverkaren flertalet krav som måste följas under apparatens livslängd.

- Allt förpackningsmaterial måste omhändertas enligt nationella bestämmelser och föreskrifter (helst lämnas in för återvinning).
- Alla produktkomponenter måste omhändertas enligt nationella bestämmelser och föreskrifter (helst lämnas in för återvinning).
- För korrekt hantering ska apparaten lämnas in till en auktoriserad återvinningscentral, så att alla komponenter som kan återvinnas återanvänds och resterande material omhändertas på ett korrekt sätt.
- Kontrollera under installationen att utrymmet har tillräcklig ventilation så att luften inte står stilla. Det kan vara skadligt för hälsan.
- Se, vid drift och underhåll, till att alla skadliga avfallsprodukter (olja, fett, osv.) omhändertas på ett korrekt sätt.
- Håll bullret på en låg nivå för att inte störa din omgivning.

Mer information för korrekt demontering och avfallshantering hittar du i återvinningsanvisningarna på www.dometic.com.

- Lämna om möjligt förpackningsmaterialet till återvinning.
- Se till att kylkretsen inte skadas och att köldmediet inte kan rinna ut vid drift, reparationer och underhåll. Köldmediet får inte släppas ut eftersom det fungerar som växthusgas.



När produkten slutgiltigt tas ur bruk: informera dig om gällande bestämmelser hos närmaste återvinningscentral eller hos återförsäljaren.

- Följ gällande bestämmelser och lämna in produkten hos en auktoriserad återvinningscentral.



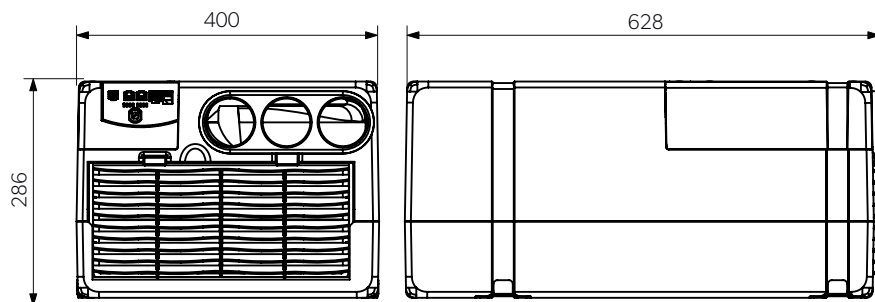
Skydda miljön!


Varken laddningsbara batterier eller andra batterier hör hemma i hushållssoporna.

Lämna dina förbrukade eller defekta (laddningsbara) batterier till återförsäljaren eller till ett samlingsställe.

10 Tekniska data

	FreshWell 3000
Artikel-nr:	9105306670
Kyleffekt enligt ISO 5151:	2700 W
Värmeeffekt:	3000 W (2500 W + 500 W extra värmeelement)
Nominell ingångsspänning:	230 V~ / 50 Hz
Strömbehov:	Kylläge: 4,3 A Värmeläge: 4,8 A
Säkringskrav:	5 A
Temperaturområde:	0 °C till +52 °C
Köldmedium:	R-410A
Mängd kylvätska:	0,6 kg
Motsvarande CO ₂ :	1,2528 t
Global uppvärmningspotential (GWP):	2088
Extra värmeelement:	500 W
Fläkt:	3 fläktsteg 1 automatläge
Skyddsklass:	IP X5
Fordonets max. innervolym (med isolerade väggar):	30 m ³
Mått L x B x H (mm):	628 x 400 x 286



	FreshWell 3000
Vikt:	ca 21 kg
Provning/certifikat:	

Innehåller fluorerade växthusgaser

Hermetiskt sluten utrustning

Les bruksanvisningen nøye før du monterer og tar apparatet i bruk, og ta vare på den. Hvis produktet selges videre, må du sørge for å gi bruksanvisningen videre også.

Innhold

1	Symbolforklaringer	144
2	Råd om sikkerhet og montering	145
3	Målgruppen for denne veiledningen	146
4	Leveringsomfang	147
5	Tiltentk bruk	147
6	Merkeskilt	147
7	Montasje	148
8	Feilretting	153
9	Avhending	155
10	Tekniske data	157

1 Symbolforklaringer



ADVARSEL!

Sikkerhetsregel: Hvis man ikke overholder denne regelen, kan det føre til død eller alvorlig skade.



FORSIKTIG!

Sikkerhetsregel: Hvis man ikke overholder denne regelen, kan det føre til personskader.



PASS PÅ!

Hvis man ikke overholder denne regelen, kan det føre til materielle skader og skade funksjonen til produktet.



MERK

Utfyllende informasjon om bruk av produktet.

2 Råd om sikkerhet og montering

Følg rådene og betingelsene som kjøretøyprodusenten og motorvognprodusenten har bestemt!

Produsenten tar i følgende tilfeller intet ansvar for skader:

- Skader på produktet på grunn av mekanisk påvirkning og overspenninger
- Endringer på produktet uten at det er gitt uttrykkelig godkjenning av produsenten
- Bruk til andre formål enn det som er beskrevet i veiledningen

Overhold følgende grunnleggende sikkerhetsregler ved bruk av elektriske apparater for å beskytte mot:

- Elektrisk støt
- Brannfare
- Skader

2.1 Behandling av apparatet



ADVARSEL!

- Montering og reparasjon av takboksklimaanlegget må kun utføres av fagfolk som kjenner til farene og gjeldende forskrifter. Feil reparasjoner kan føre til betydelige skader. Ved behov for reparasjon kontakter du servicestedene i ditt land (adresse på baksiden).
- **Elektriske apparater er ikke beregnet for barn!**
Barn er ikke i stand til å bedømme farer forbundet med elektriske apparater. La ikke barn bruke elektriske apparater uten tilsyn.
- Personer som på grunn av sine fysiske, sensoriske eller mentale ferdigheter, eller på grunn av sin uerfarenhet eller manglende kunnskap, ikke er i stand til å bruke apparatet, må ikke bruke dette apparatet uten oppsyn eller anvisning fra en ansvarlig person.
- I tilfelle brann må man kun bruke tillatte slukkemidler. Bruk ikke vann til slukking.



FORSIKTIG!

- Takboksklimaanlegget må installeres på en slik måte at det ikke kan falle ned.
- Bruk takboksklimaanlegget kun når kapslingen og ledningene er uskadd.

- Bruk ikke takboksklima-anlegget i nærheten av lettantennelige væsker.
- Påse at brennbare gjenstander ikke lagres eller monteres i nærheten av luftuttakene. Avstanden må være minst 50 cm.
- Ta ikke inn i luftenåpningene, og før ikke fremmedlegemer inn i anlegget.

**PASS PÅ!**

- Bruk apparatet kun til det er beregnet for.
- Takboksklima-anlegget er ikke egnet for bruk i jordbruks- og anleggs-maskiner.
- Ikke foreta endringer eller ombygging av apparatet.
- Hvis det oppstår feil i anleggets kjølemiddelkretsløp, må anlegget kontrolleres av fagfolk og settes forskriftsmessig i stand. Kjølemiddelet må under ingen omstendighet etterlates i friluft.

2.2 Håndtering av elektriske ledninger

**ADVARSEL!**

- Den elektriske tilkoblingen må kun gjøres av fagfolk (f.eks. i Tyskland VDE 0100, del 721).

**FORSIKTIG!**

- Fest og legg ledningene slik at man ikke snubler i dem og slik at man unngår å skade kabelen.

**PASS PÅ!**

- Hvis ledninger føres gjennom vegger med skarpe kanter, bruker du kabelrør hhv. ledningsgjennomføringer.
- Ikke legg ledninger løst eller skarpt bøyd på materiell som leder elektrisk strøm (metall).
- Ikke trekk i ledninger.

3 Målgruppen for denne veiledningen

Denne veiledningen er beregnet på fagfolk i verksteder som er fortrolig med retningslinjene og sikkerhetsforanstaltningene.

4 Leveringsomfang

Nr. i fig. 1	Antall	Beskrivelse
1	1	Takboksklimaanlegg
2	1	Fjernkontroll
3	1	Mottaker
4	4	Luftfilter
5	2	Festevinkel
6	4	Festebøyle
7	14	Festeskrue
8	2	Avløpsrør
9	2	Utvendig gitter
–	1	Installasjonsmal

5 Tiltenkt bruk

Takboksklimaanlegget Dometic FreshWell 3000 (art.nr. 9105306670) er utelukkende egnet for bobiler, campingvogner og andre kjøretøyer med oppholdsrom. Det er **ikke** egnet for hus eller boliger.

Takboksklimaanlegget er **ikke** egnet for installasjon i anleggsmaskiner, jordbruksmaskiner eller lignende anleggsutstyr. Ved for kraftig vibrasjon er ikke forskriftsmessig funksjon lenger garantert.

Funksjonen til FreshWell 3000 er garantert for temperaturer mellom 0 °C og 52 °C.



MERK

Ytterligere informasjon om takboksklimaanlegget, som tekniske beskrivelse eller betjening, finner du i bruksanvisningen.

6 Merkeskilt

På takboksklimaanlegget Dometic FreshWell er det plassert merkeskilt. Disse skiltene gir brukeren og installatøren informasjon om spesifikasjonene til apparatet.

7 Montasje



FORSIKTIG! Fare for personskader!

Montering av takboksklimaanlegget må kun utføres av fagfolk. Den følgende informasjonen er beregnet på fagfolk som er fortrolig med retningslinjene og sikkerhetsforanstaltningene som gjelder.

7.1 Monteringsanvisninger

Før montering av takboksklimaanlegget, må man lese hele montasjeveiledningen.

Følgende tips og henvisninger må følges ved montering av takboksklimaanlegget:



FARE! Livsfare på grunn av strømstøt!

Ved arbeid på takboksklimaanlegget må man koble fra spenningsforsyningen.



FORSIKTIG! Fare for personskader!

- Feil montering av klimaanlegget kan føre til skader på apparatet som ikke lar seg reparere, og det kan gå ut over sikkerheten til brukeren.
- Hvis takboksklimaanlegget ikke installeres iht. til denne monteringsanvisningen, påtar produsenten seg intet ansvar, ikke for driftsfeil og ikke for sikkerheten til takboksklimaanlegget, og spesielt ikke for skader på personer og/eller eiendom.
- Ved alt arbeid må man bruke foreskrevne verneklær (f.eks. vernebriller, vernehansker).



PASS PÅ! Fare for skade!

Ved innbygging av takboksklimaanlegget må man alltid passe på kjøretøyets stivhet, og at man tetter igjen alle åpninger som er laget under innbyggingen.

Tips for transport

- Vær alltid to personer ved bæring av takboksklimaanlegget.
- Når takboksklimaanlegget skal flyttes, skal det ikke trekkes på bakken (fig. **2 A**).
- Ikke bruk lufteåpningen til å løfte det med (fig. **2 B**).

Tips for monteringsstedet

- For å installere takboksklimaanlegget må det lages åpninger i bunnen. Disse åpningene må være lett tilgjengelige, og må ikke dekkes av kjøretøyets komponenter.
- Før man monterer takboksklimaanlegget, må man undersøke om eventuelle kjøretøykomponenter kan bli skadet ved montasjen (f.eks. lamper, skap, dører).
- Påse at brennbare gjenstander ikke lagres eller monteres i nærheten av luftuttakene. Avstanden må være minst 50 cm.
- Hellingen til montasjeflaten må ikke være mer enn 10°.
- Ved montasje av takboksklimaanlegget må man av sikkerhetsmessige grunner passe på (ved boring og skruing osv.) føringen av kabler og andre komponenter som ikke er synlige, og som befinner seg i montasjeområdet!
- For optimal klimatisering av kjøretøyet må man installere takboksklimaanlegget så sentralt som mulig i et rom eller en lignende innretning.
- Velg et sted som er lett tilgjengelig for vedlikeholdsarbeid og for inn- og utmontering av enheten.
- Legg monteringsmalen i det valgte rommet og kontroller plassen som er tilgjengelig for åpningene på bunnen.
- For å minimere overføring av støy og svingninger under drift skal takboksklimaanlegget ha en minimumsavstand på omlag 30 mm fra vegger eller møbler.
- Apparatet må installeres på gulvet.
- La det være en avstand på 200 mm mellom apparatets front og siden av rommet, dette for at det skal være lett å bytte filter.
- Når apparatet monteres i et rom utenfor kjøretøyet (f.eks. doble gulv), må luften som skal behandles suges inn fra inne i kjøretøyet.
- Innsugingen av uteluft kan redusere effekten til anlegget betydelig.

Tips for elektronikken (se fig. 13)

Nr. i fig. 13	Betegnelse
1	Viftemotor (innvendig)
2	Viftemotor (utvendig)
3	Kondensator
4	Kompressor
5	Temperaturføler
6	Kretskort
7	Kretskort display
8	PCB-grensesnitt
9	Softstart
10	Ventil
11	Motstand

- Takboksklimaanlegget må kun kobles til av en fagperson.
- Sammenlign spenningsspesifikasjonene på merkeskiltet med tilgjengelig strømtilførsel.
- Ikke legg ledninger løst eller skarpt bøyd på materiell som leder elektrisk strøm (metall).
- På monteringsiden må det monteres en flerpolet bryter med min 3 mm kontakttavstand.

7.2 Lage åpninger**Se fig. 3**

- Tegn inn plasseringen og størrelsen på åpningene ved hjelp av malen som følger med **(A og B)**.

Se fig. 4

- Bor ut hjørnene **(A)**.
- Sag ut åpningen på taket forsiktig med en stikksag e.l. **(B)**.
Pass på at strømkabler ikke blir skadet.
- Bor en avløpsåpning for avløpsvann med en diameter på 32 mm **(C)**.

Se fig. 5

- Marker posisjonen for festevinklene (A) og festebøylene (B).

7.3 Feste festebøylere og belter

Se fig. 6

- Fest de fire festebøylene (A).
- Trekk stroppen gjennom festebøylene (B).
- Monter avløpsrørene under takboksklimaanlegget (C).
- Fest takboksklimaanlegget med stroppene (D).

7.4 Feste festevinkler

Se fig. 7

- Fest takboksklimaanlegget med de to festevinklene og tre festeskruer som vist.

7.5 Feste utvendig gitter

Se fig. 8

- Fest de utvendige gitrene som vist med skruene og skivene som følger med leveransen.

7.6 Feste mottakeren

Se fig. 9

- Bor en åpning på 50 mm i veggen.

Se fig. 10

- Før kablet gjennom åpningen til takboksklimaanlegget.
- Fest mottakeren som vist:

7.7 Legge tilkoblingsledninger



FARE! Livsfare ved strømstøt!

Før man utfører arbeid på elektrisk drevne komponenter, må man forsikre seg om at alt er spenningsløst!

Takboksklimaanlegget må kobles til en strømkurs som er i stand til å levere den nødvendige strømmen (se kapittel «Tekniske data» på side 157).

- ▶ Velg ledningsdiameter i samsvar med ledningslengden:
 - Lengde < 7,5 m: 1,5 mm²
 - Lengde > 7,5 m: 2,5 mm²

Se fig. 11

- ▶ Plugg det 4-polede støpslet til mottakeren inn i IR-kontakten på takboksklimaanlegget (**1**).
- ▶ Plugg 230 V~-støpslet (**2**) inn i en 230 V~-stikkontakt.

7.8 Luftføring

Se fig. 12

Iverksett luftføringen med kanaler av vanlige komponenter (**ikke** inkludert i leveransen). Det anbefales å benytte pappør for klimaanlegg med innvendig panel aluminium og utvendig panel i PVC. Den nominelle innvendige diameteren til disse rørene skal være 60 mm, utvendig diameter 65 mm.

Lufterørene tilkobles ved hjelp av kjegleboringen på luftuttaket via trykk.

Rørene kobles til på registerutgangen.

For optimal ytelse anbefales:

- Legg luftledningene så kort og rett som mulig
- Begrens rørlengden til maks. 5 m
- Legg ikke rørene i nærheten av varmekilder

Omluften suges inn gjennom et gitter eller andre åpninger med et tverrsnitt som er beregnet for en luftstrøm på minimum 300 cm². Omluftåpningen må plasseres i nærheten av apparatet. Hvis dette ikke er mulig, må ikke luftføringen hindres av gjenstander. Legg evt. en luftkanal mellom åpningen og apparatet.

**MERK**

Isoler rørene med egnet isolasjonsmaterieell (ikke inkludert i leveransen) for å unngå kondens på rørene.

Omluften må tas ut fra kjøretøyets kupé. Ved tilførsel av uteluft kan det gå betydelig ut over apparatets ytelse.

8 Feilretting

Feil	Årsak	Tiltak
Ingen kjøleeffekt	Takboksklimaanlegget er ikke stilt inn på kjøling.	➤ Still takboksklimaanlegget på kjøling.
	Omgivelsestemperaturen er høyere enn 52 °C.	Takboksklimaanlegget er kun beregnet på en omgivelsestemperatur på opptil 52 °C.
	Innstilt temperatur er høyere enn romtemperaturen.	➤ Velg en lavere temperatur.
	Omgivelsestemperaturen er lavere enn 16 °C.	Takboksklimaanlegget er kun beregnet på en omgivelsestemperatur fra 16 °C.
	Varmeisolasjonen er defekt.	➤ Ta kontakt med et autorisert verksted.
	Kompressoren er defekt.	
Kjølemiddelfyllingen er ikke tilstrekkelig.		
Registeret til varmeveksleren er skittent.		
	Den utvendige viften er defekt.	

Feil	Årsak	Tiltak
Ingen varmeeffekt	Takboksklimaanellegget er ikke stilt inn på oppvarming.	➤ Still takboksklimaanellegget på oppvarming.
	Omgivelsestemperaturen er på under 0 °C.	Takboksklimaanellegget er kun beregnet på en omgivelsestemperatur over 0 °C.
	Innstilt temperatur er lavere enn romtemperaturen.	➤ Velg en høyere temperatur.
	Omgivelsestemperaturen er høyere enn 31 °C.	Temperaturen kan stilles inn mellom 16 °C og 31 °C.
	Varmeisolasjonen er defekt. Kompressoren er defekt. Kjølemiddelfyllingen er ikke tilstrekkelig. Registeret til varmeveksleren er skittent. Den utvendige viften er defekt.	➤ Ta kontakt med et autorisert verksted.
Dårlig lufteffekt	Luftfilteret er tilstoppet.	➤ Rengjør luftfilteret.
	Registeret til varmeveksleren er skittent.	➤ Ta kontakt med et autorisert verksted.
	Den innvendige viften er defekt.	
Det kommer vann inn i kjøretøyet	Avløpsåpningene for kondensvann er tilstoppet.	➤ Rengjør avløpsåpningen for kondensvann.
	Tetningene er defekte.	➤ Ta kontakt med et autorisert verksted.
Takboksklimaanellegget slår seg ikke på	Det foreligger ingen tilførselsspenning (230 V~).	➤ Kontroller spenningsforsyningen.
	Spenningen er for lav (under 200 V~). Spenningsomformerer er defekt.	➤ Ta kontakt med et autorisert verksted.
	Varmeisolasjonen er defekt.	
	Den elektriske sikringen for spenningsforsyningen er for liten.	➤ Kontroller den elektriske sikringen til spenningsforsyningen.

Feil	Årsak	Tiltak
Takkboks-klima-anlegget stiller inn driften	Luftfilteret er tilstoppet.	➤ Rengjør luftfilteret.
	Spenningen er for lav (under 200 V~). Spenningsomformeren er defekt.	➤ Ta kontakt med et autorisert verksted.
	Varveisolasjonen er defekt.	
	Kondensatorviften er defekt.	
	Registret til varmeveksleren er skittent.	
	Den utvendige viften er defekt.	
Takkboks-klima-anlegget slår seg ikke av	En av temperaturløserne er defekt.	➤ Ta kontakt med et autorisert verksted.

9 Avhending

Forskrifter for miljøvern og forskriftsmessig avhending

Alle organisasjoner skal iverksette en rekke tiltak for å kunne identifisere, vurdere og kontrollere den påvirkningen deres aktiviteter (produksjon, produkter, service osv.) har på miljøet.

Tiltakene for identifisering av betydelige miljøpåvirkninger må ta hensyn til følgende faktorer:

- Bruk av råstoffer og naturressurser
- Utslipp til atmosfæren
- Utslipp av væsker
- Avhending og resirkulering
- Forurensning av jordsmonnet

For å minimalisere miljøpåvirkningen angir produsenten nedenfor en rekke tegn som alle må ta hensyn til (uavhengig av årsak) ved håndtering av apparatet i løpet av apparatets levetid.

- All emballasje må avhendes (fortrinnsvis resirkuleres) i samsvar med gjeldende forskrifter i landet hvor deponeringen skjer.
- Alle produktkomponenter må avhendes (fortrinnsvis resirkuleres) i samsvar med gjeldende forskrifter i landet hvor deponeringen skjer.
- For korrekt avhending må apparatet leveres inn til en autorisert gjenvinningsstasjon slik at man er sikret at alle resirkulerbare deler brukes på nytt, og at de resterende materialene håndteres forskriftsmessig.
- Under installasjonen må du sørge for at rommet er tilstrekkelig ventilert, slik at det ikke oppstår tung luft, noe som kan være skadelig for brukerens helse.
- Under drift og vedlikehold må man påse at alle skadelige avfallsprodukter (olje, smørefett osv.) avhendes forskriftsmessig.
- Hold støynivået så lavt som mulig for å redusere støybelastningen.

Ytterligere informasjon vedrørende korrekt avinstallering av våre produkter finner du i resirkuleringsveiledningene på www.dometic.com.

- Lever emballasje til resirkulering så langt det er mulig.
- Under drift og reparasjoner og vedlikehold må man påse at kjølekretsløpet ikke kommer til skade og at kjølemidlet ikke slipper ut. Det fungerer som en drivhusgass og må ikke komme ut i miljøet.



Når du tar produktet ut av drift for siste gang, må du sørge for å få informasjon om deponeringsforskrifter hos nærmeste resirkuleringsstasjon eller hos din faghandler.

- Avhend produktet kun til et autorisert avfallshåndteringsfirma, i samsvar med gjeldende resirkulerings- eller deponeringsforskrifter.



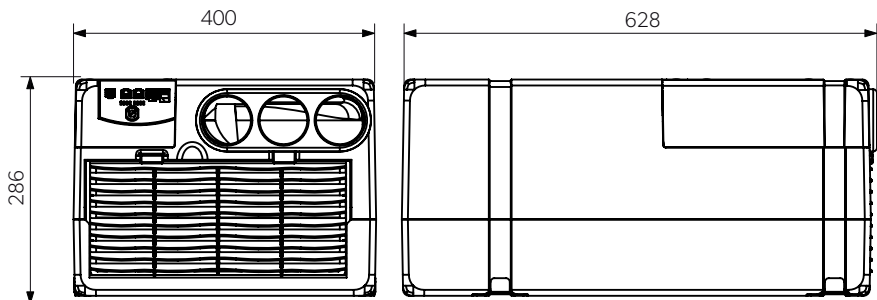
Bevar miljøet!


Batterier hører ikke hjemme i husholdningsavfallet.

Lever defekte eller brukte batterier enten til forhandleren eller på en oppsamlingsstasjon.

10 Tekniske data

	FreshWell 3000
Art.nr.:	9105306670
Kjøleeffekt iht. ISO 5151:	2700 W
Varmeeffekt:	3000 W (2500 W + 500 W ekstra varmeelement)
Nettspenning:	230 V~ / 50 Hz
Strømforbruk:	Kjøling: 4,3 A Varme: 4,8 A
Nødvendig sikringsstørrelse:	5 A
Driftstemperaturområde:	0 °C til +52 °C
Kjølemiddel:	R-410A
Kjølemiddelmengde:	0,6 kg
CO ₂ -ekvivalent:	1,2528 t
GWP-verdi:	2088
Ekstra varmeelement:	500 W
Vifte:	3 viftehastighetstrinn 1 automatisk modus
Beskyttelsesklasse:	IP X5
Kjøretøyets maks romvolum (med isolerte vegger):	30 m ³
Mål L x B x H (mm):	628 x 400 x 286



	FreshWell 3000
Vekt:	ca. 21 kg
Test/Sertifikat:	

Inneholder fluoriserte drivhusgasser

Hermetisk lukket innretning

Lue tämä ohje huolellisesti läpi ennen asennusta ja käyttöönottoa ja säilytä ohje hyvin. Jos myyt tuotteen eteenpäin, anna ohje tällöin edelleen uudelle käyttäjälle.

Sisällysluettelo

1	Symbolien selitys	159
2	Turvallisuus- ja kiinnitysohjeita	160
3	Tämän käyttöohjeen kohderyhmä	161
4	Toimituskokonaisuus	162
5	Tarkoituksenmukainen käyttö	162
6	Merkkilivet	162
7	Asennus	163
8	Häiriöiden poistaminen	168
9	Hävittäminen	170
10	Tekniset tiedot	172

1 Symbolien selitys



VAROITUS!

Turvallisuusohje: Huomiotta jättäminen voi aiheuttaa hengenvaaran tai vakavan loukkaantumisen.



HUOMIO!

Turvallisuusohje: Huomiotta jättäminen voi johtaa loukkaantumiseen.



HUOMAUTUS!

Huomiotta jättäminen voi johtaa materiaalivaurioihin ja haitata tuotteen toimintaa.



OHJE

Tuotteen käyttöä koskevia lisätietoja.

2 Turvallisuus- ja kiinnitysohjeita

Noudata ajoneuvovalmistajan ja autoalan ammattipiirien antamia turvallisuusohjeita ja vaatimuksia!

Valmistaja ei ota mitään vastuuta vahingoista seuraavissa tapauksissa:

- tuotteeseen mekaanisen vaikutuksen tai ylijännitteiden takia syntyneet vauriot
- tuotteeseen ilman valmistajan nimenomaista lupaa tehdyt muutokset
- käyttö muuhun kuin käyttöohjeessa ilmoitettuun tarkoitukseen

Noudata seuraavia perustavia turvatoimenpiteitä käyttäessäsi sähköllä toimivia laitteita. Tämä suojelee sinua:

- sähköiskulta
- palovaaralta
- loukkaantumiselta

2.1 Laitteen käsittely



VAROITUS!

- Kaappi-ilmastointilaitteen saavat asentaa ja sitä saavat korjata vain ammattimiehet, jotka tuntevat töihin liittyvät vaarat sekä niitä koskevat määräykset. Epäasianmukaisista korjauksista saattaa aiheutua huomattavia vaaroja. Käänny oman maasi huoltotukiliikkeen puoleen, jos laite tarvitsee korjausta (osoitteet takasivulla).
- **Sähkölaitteet eivät ole lasten leluja!**
Lapset eivät osaa arvioida sähkölaitteista aiheutuvia vaaroja oikein. Älä anna lasten käyttää sähkölaitteita ilman valvontaa.
- Henkilöiden, jotka eivät voi käyttää laitetta turvallisesti fyysisten, sensoristen tai psyykkisten taitojensa vuoksi tai kokemattomuuden tai tietämättömyyden vuoksi, ei tulisi käyttää laitetta ilman valvontaa tai vastuullisen henkilön ohjeita.
- Käytä tulipalon sattuessa vain hyväksytyjä sammutusvälineitä. Älä käytä sammuttamiseen vettä.



HUOMIO!

- Kaappi-ilmastointilaitte täytyy asentaa niin vakaasti, että se ei voi pudota!
- Käytä kaappi-ilmastointilaitetta vain, kun laitteen kotelossa ja johtimissa ei ole vaurioita.

- Älä käytä kaappi-ilmastointilaitetta syttyvien nesteiden lähellä.
- Huolehdi siitä, että syttyviä esineitä ei varastoida tai asenneta ilman ulostulon alueelle. Etäisyyden täytyy olla vähintään 50 cm.
- Älä työnnä käsiä tuuletusritilään tai tuuletussuuttimiin, älä laita laitteeseen vieraita esineitä.



HUOMAUTUS!

- Käytä laitetta ainoastaan sen määräysten mukaiseen tarkoitukseen.
- kaappi-ilmastointilaitte ei sovi käytettäväksi maatalous- ja rakennuskoneissa.
- Älä tee laitteeseen mitään muutoksia.
- Jos laitteen jäähdytyskiertoon tulee vikaa, laite tulee tarkastaa ammatti-liikkeessä ja saattaa jälleen asianmukaisesti kuntoon. Jäähdytysainetta ei saa missään tapauksessa päästää ilmaan.

2.2 Sähköjohtimien käsitteleminen



VAROITUS!

- Sähköisen liitännän saa tehdä vain ammattiliike (esim. Saksassa – VDE 0100, osa 721)



HUOMIO!

- Vedä ja kiinnitä johtimet siten, että niihin ei voi kompastua ja että johdon vaurioitumisen mahdollisuus on pois suljettu.



HUOMAUTUS!

- Jos johtimet täytyy viedä teräväreunaisten seinien läpi, käytä putkitusta tai läpivientikappaleita.
- Älä aseta irrallisia tai teräville taitteille asetettuja johtimia sähköä johtavien materiaalien (metalli) päälle.
- Älä kisko johtimista.

3 Tämän käyttöohjeen kohderyhmä

Tämä käyttöohje on tarkoitettu korjaamoiden ammattihenkilökunnalle, joka tuntee sovellettavat direktiivit ja turvajärjestelyt.

4 Toimituskokonaisuus

Nro kuvassa kuva 	Määrä	Nimitys
1	1	Kaappi-ilmastointilaite
2	1	Kaukosäädin
3	1	Vastaanotin
4	4	Ilmansuodatin
5	2	Kiinnityskulma
6	4	Kiinnityssanka
7	14	Kiinnitysruuvi
8	2	Poistoputki
9	2	Ulkoritilä
–	1	Asennussapluuna

5 Tarkoituksenmukainen käyttö

Kaappi-ilmastointilaite Dometic FreshWell 3000 (tuotenro 9105306670) sopii yksinomaan matkailuautoihin, asuntovaunuihin ja muihin ajoneuvoihin, joissa on asuintila. Se **ei** sovi taloihin tai asuntoihin.

Kaappi-ilmastointilaite **ei** sovi asennettaviksi rakennuskoneisiin, maatalouskoneisiin tai muihin vastaavin työkoneisiin. Liian voimakkaan värinävaikutuksen aikana asiamukainen toiminta ei ole taattu.

FreshWell 3000 -laitteen toiminta taataan lämpötilan ollessa 0 °C:n ja 52 °C:n välillä.



OHJE

Muut kaappi-ilmastointilaitetta koskevat ohjeet, esim. teknisen kuvauksen tai toimintaohjeita löydät käyttöohjeesta.

6 Merkkilivet

Dometic FreshWell -kaappi-ilmastointilaitteeseen on kiinnitetty merkkilipä. Nämä merkkilivet ilmaisevat käyttäjälle ja asentajalle laitteen spesifikaatiot.

7 Asennus



HUOMIO! Loukkaantumisvaara!

Kaappi-ilmastointilaitteen saavat asentaa yksinomaan vastaavan koulutuksen omaavat ammattiliikkeet. Seuraavat tiedot on suunnattu ammattilaisille, jotka tuntevat sovellettavat direktiivit ja turvajärjestelyt.

7.1 Asennusta koskevia ohjeita

Tämä asennusohje täytyy lukea kokonaan ennen kaappi-ilmastointilaitteen asentamista.

Seuraavia vinkkejä ja ohjeita tulee noudattaa kaappi-ilmastointilaitetta asennettaessa:



VAARA! Sähköiskusta johtuva hengenvaara!

Katkaise kaikki jännitteensyötöt kaappi-ilmastointilaitetta koskevien töiden ajaksi.



HUOMIO! Loukkaantumisvaara!

- Kattoilmastointilaitteen väärä asentaminen voi johtaa laitteen korjaamattomissa olevaan vahingoittumiseen, ja heikentää käyttäjän turvallisuutta.
- Jos kaappi-ilmastointilaitetta ei asenneta tämän asennusohjeen mukaisesti, valmistaja ei ota mitään vastuuta, ei toimintahäiriöistä eikä kaappi-ilmastointilaitteen turvallisuudesta, eikä erityisesti henkilö- ja/tai materiaalivahingoista.
- Käytä kaikissa töissä siihen määrättyä suojavarustusta (esim. suojalaseja, suojakäsineitä).



HUOMAUTUS! Vaurioitumisvaara!

Ota kaappi-ilmastointilaitetta asentaessasi aina huomioon ajoneuvon statiikka ja kaikkien asennuksen yhteydessä syntyneiden aukkojen tiivistäminen.

Kuljetusohjeita

- Kanna kaappi-ilmastointilaitetta aina kahden hengen voimin.
- Nosta kaappi-ilmastointilaitetta aina sitä liikutellessasi, älä vedä sitä lattiaa pitkin (kuva **2 A**).
- Älä käytä nostamiseen tuuletusrakoa (kuva **2 B**).

Asennuspaikkaa koskevia ohjeita

- Kaappi-ilmastointilaitteen asentamista varten lattiaan täytyy tehdä reikiä. Näiden reikien täytyy olla helposti tavoitettavissa eivätkä mitkään ajoneuvon osat saa peittää niitä.
- Tarkasta ennen kaappi-ilmastointilaitteen asennusta, voiko kaappi-ilmastointilaitteen kiinnittäminen mahdollisesti vahingoittaa ajoneuvon osia (esim. lamput, kaapit, ovet).
- Huolehdi siitä, että syttyviä esineitä ei varastoida tai asenneta ilman ulostulon alueelle. Etäisyyden tulisi olla vähintään 50 cm.
- Asennuspinnan kaltevuus ei saa olla yli 10°.
- Kiinnitä ennen kaappi-ilmastointilaitteen asentamista (porattaessa ja ruuvattaessa jne.) turvallisuussyistä huomiota asennuspaikassa valmiina olevien, erityisesti näkymättömissä olevien johtonippujen, johdinten ja muiden osien kulkuun!
- Asenna kaappi-ilmastointilaitte ajoneuvon ihanteellista ilmastointia varten mahdollisuuksien mukaan keskellä sijaitsevaan lokeroon tai vastaavaan.
- Valitse paikka, johon on helppo päästä käsiksi huoltotöissä ja laitetta asennettaessa ja irrotettaessa.
- Aseta asennussapluuna valittuun lokeroon ja tarkista lattia-aukkoihin käytettävissä oleva tila.
- Käytönaikaisten äänien ja värinän välittymisen minimoimiseksi kaappi-ilmastointilaitteen ympärillä tulisi olla joka puolella 30 mm väliä seiniin ja huonekaluihin.
- Laite täytyy asentaa lattialle.
- Jätä laitteen etuseinän ja lokeron sivujen väliin 200 mm tilaa suodattimenvaihdon helpottamiseksi.
- Jos laite asennetaan lokeroon, joka on ajoneuvon ulkopuolella (esim. kaksoispohjat), käsiteltävä ilma täytyy ilmeä ajoneuvon sisältä.
- Ulkoilman imeminen voi heikentää laitteiston tehoa huomattavasti.

Sähkölaitteita koskevia ohjeita (katso kuva 13)

Nro kuvassa kuva 13	Nimitys
1	Tuuletinmoottori (sisä)
2	Tuuletinmoottori (ulko)
3	Lauhdutin
4	Kompressori
5	Lämpötila-anturi
6	Piirilevy
7	Piirilevy näyttö
8	PCB-liitäntä
9	Pehmeä käynnistys
10	Venttiili
11	Vastus

- Anna kaappi-ilmastointilaitteen sähköinen liittäminen aina alan ammattilaisen tehtäväksi.
- Vertaa tyyppikilven jännitetietoja käytettävissä olevaan energiansyöttöön.
- Älä aseta johtimia liian löysälle, tai teräville taitteille sähköä johtavien materiaalien (metalli) päälle.
- Asenna asennuspuolelle kaikki navat kytkevä kytkin, jonka kontaktien avautumisväli on väh. 3 mm.

7.2 Aukkojen tekeminen

Katso kuva 3

- Piirrä aukkojen paikat ja koko käyttäen apuna sapluunaa, joka sisältyy pakkaukseen (A ja B).

Katso kuva 4

- Pora kulmiin reiät (A).
- Saha aukko kattoon huolellisesti pistosahalla tms. (B).
Huolehdi siitä, että sähköjohtoja ei vahingoiteta tässä yhteydessä.
- Pora kondenssivedelle valuma-aukot, joiden halkaisija on 32 mm (C).

Katso kuva 5

- Merkitse kiinnityskulmien (A) ja kiinnityssankojen (B) paikka.

7.3 Kiinnityssankojen ja hihnojen kiinnittäminen**Katso kuva 6**

- Kiinnitä neljä kiinnityssankaa (A).
- Vedä hihnat kiinnityssankojen (B) läpi.
- Asenna poistoputket kaappi-ilmastointilaitteen (C) alapuolelle.
- Kiinnitä kaappi-ilmastointilaite hihnoilla (D).

7.4 Kiinnityskulmien kiinnittäminen**Katso kuva 7**

- Kiinnitä kaappi-ilmastointilaite molemmilla kiinnityskulmilla ja kumpikin kolmella kiinnitysruuvilla esitetyllä tavalla.

7.5 Ulkoritilän kiinnittäminen**Katso kuva 8**

- Kiinnitä ulkoritilä kuvan osoittamalla tavalla, käytä toimitukseen sisältyviä ruuveja ja aluslevyjä.

7.6 Vastaanottimen kiinnittäminen**Katso kuva 9**

- Pora seinään aukko, jonka halkaisija on 50 mm.

Katso kuva 10

- Vie johto aukon läpi kaappi-ilmastointilaitteeseen.
- Kiinnitä vastaanotin seuraavalla tavalla.

7.7 Liitäntäjohtojen vetäminen



VAARA! Sähköiskusta johtuva hengenvaara!

Ennen kaikkia sähköisesti toimiviin osiin liittyviä töitä täytyy varmistaa, että osat ovat jännitteettömiä!

Kaappi-ilmastointilaitte täytyy liittää sähköpiiriin, joka kykenee antamaan vaadittavan virran (katso kap. "Tekniset tiedot" sivulla 172).

- Valitse johdon poikkipinta-ala johdon pituutta vastaavasti:
 - Pituus < 7,5 m: 1,5 mm²
 - Pituus > 7,5 m: 2,5 mm²

Katso kuva 11

- Työnnä vastaanottimen 4-napainen pistoke kaappi-ilmastointilaitteen IR-liittimeen (1).
- Työnnä 230 V~ -pistoke (2) 230 V~ -pistorasiaan.

7.8 Ilman ohjaus

Katso kuva 12

Toteuta ilman ohjaus tavallisista osista koottujen kanavien avulla (**ei** sisälly toimituskonaisuuteen). On suositeltavaa käyttää ilmastointilaitteisiin tarkoitettuja pahviputkia, joiden sisäpinta on alumiinia ja ulkopinta PVC-muovia. Näiden putkien nimellissisähalkaisijan tulisi olla 60 mm, ulkohalkaisijan 65 mm.

Ilmastointiputket liitetään painamalla ne ilman ulostulopuolen kartiomaiseen reikään.

Putket liitetään ritilälähtöön.

Ihanteellista tehoa varten on suositeltavaa:

- tee ilmajohdoista niin lyhyet ja suorat kuin mahdollista
- rajoita putken maksimipituus 5 metriin
- älä sijoita putkia lämpölähteiden lähelle

Kiertoilma imetään ritilän läpi tai muista aukoista, joiden poikkipinta-alan täytyy vastata vähintään 300 cm² -ilmavirtausta. Kiertoilma-aukon täytyy olla lähellä laitetta. Jos tämä ei ole mahdollista, mitkään esineet eivät saa estää ilman ohjausta; aseta tarvittaessa ilmanakna aukon ja laitteen väliin.



OHJE

Eristä putket tarkoitukseen soveltuvalla eristysmateriaalilla (ei sisälly toimitukseen), jotta putkien pinnalle ei muodostu lauhdevettä.

Kiertoilma täytyy ottaa ajoneuvon sisätilasta; jos laitteeseen syötetään ulkoilmaa, sen teho voi heiketä huomattavasti.

8 Häiriöiden poistaminen

Häiriö	Syy	Poistaminen
Ei jäähdytystehoa	Kaappi-ilmastointilaitetta ei ole asetettu jäähdytykselle.	➤ Aseta kaappi-ilmastointilaitte jäähdytykselle.
	Ympäristölämpötila on korkeampi kuin 52 °C.	kaappi-ilmastointilaitte on suunniteltu korkeintaan 52 °C:een ympäristölämpötilalle.
	Säädetty lämpötila on korkeampi kuin sisätilan lämpötila.	➤ Valitse matalampi lämpötila.
	Ympäristölämpötila on matalampi kuin 16 °C.	kaappi-ilmastointilaitte on suunniteltu vähintään 16 °C:een ympäristölämpötilalle.
	Lämpösuoja on rikki.	➤ Käänny valtuutetun korjaamon puoleen.
	Kompressori on viallinen.	
	Kylmäainetäytteen määrä ei riitä.	
Lämmönvaihtimen ritilä on likaantunut.		
Ulompi puhallin on rikki.		

Häiriö	Syy	Poistaminen
Ei lämmitystehoa	Kaappi-ilmastointilaitetta ei ole asetettu lämmitykselle.	➤ Aseta kaappi-ilmastointilaitte lämmitykselle.
	Ympäristön lämpötila on alle 0 °C.	Kaappi-ilmastointilaitte on suunniteltu vähintään 0 °C:n ympäristön lämpötilalle.
	Säädetty lämpötila on alaisempi kuin sisätilan lämpötila.	➤ Valitse korkeampi lämpötila.
	Ympäristön lämpötila on korkeampi kuin 31 °C.	Lämpötila voidaan asettaa 16 °C:n ja 31 °C:n välille.
	Lämpösuoja on rikki.	➤ Käänny valtuutetun korjaamon puoleen.
	Kompressori on viallinen.	
	Kylmäainetäytteen määrä ei riitä.	
Lämmönvaihtimen ritilä on likaantunut.		
Ulompi puhallin on rikki.		
Huono ilmavirtaus	Ilmansuodatin on tukossa.	➤ Puhdista ilmansuodatin.
	Lämmönvaihtimen ritilä on likaantunut.	➤ Käänny valtuutetun korjaamon puoleen.
	Sisempi puhallin on rikki.	
Ajoneuvoon tulee vettä	Kondenssiveden valuma-aukot ovat tukossa.	➤ Puhdista kondenssiveden valuma-aukot.
	Tiivisteet ovat rikki.	➤ Käänny valtuutetun korjaamon puoleen.
Kaappi-ilmastointilaitteisto ei kytkedy päälle	Syöttöjännite (230 V~) puuttuu.	➤ Tarkista jännitteensyöttö.
	Jännite on liian matala (alle 200 V~). Jännitteenmuunnin on rikki.	➤ Käänny valtuutetun korjaamon puoleen.
	Lämpösuoja on rikki.	
	Jännitteensyötön sähköinen varoke on liian pieni.	➤ Tarkista jännitteensyötön sähköinen varoke.
Kaappi-ilmastointilaitte lakkaa toimimasta	Ilmansuodatin on tukossa.	➤ Puhdista ilmansuodatin.
	Jännite on liian matala (alle 200 V~). Jännitteenmuunnin on rikki.	➤ Käänny valtuutetun korjaamon puoleen.
	Lämpösuoja on rikki.	
	Lauhdutinpuhallin on viallinen.	
	Lämmönvaihtimen ritilä on likaantunut.	
	Ulompi puhallin on rikki.	

Häiriö	Syy	Poistaminen
Kaappi-ilmastointi-laite ei kytkeydy pois päältä	Jokin lämpötila-anturi on rikki.	► Käänny valtuutetun korjaamon puoleen.

9 Hävittäminen

Ympäristönsuojelua ja asianmukaista hävittämistä koskevat määräykset

Kaikkien organisaatioiden täytyy soveltaa koko joukkoa toimenpiteitä, jotta ne tunnistavat, arvioivat ja hallitsevat vaikutuksen, joka niiden toiminnalla (valmistus, tuotteet, huolto jne.) on ympäristöön.

Merkittävien ympäristövaikutusten havaitsemiseen tähtäävien toimenpiteiden täytyy ottaa huomioon seuraavat seikat:

- Raaka-aineiden käyttö ja luonnonvarat
- Päästöt ilmakehään
- Nesteiden vuotaminen
- Hävitys ja kierrätys
- Maaperän saastuminen

Ympäristövaikutusten minimoimiseksi valmistaja esittelee seuraavassa joukon seikkoja, jotka jokaisen laitteella sen käyttöiän aikana (mistä syystä tahansa) työskentelevän henkilön täytyy ottaa huomioon.

- Kaikki pakkausmateriaali täytyy hävittää sen maan lakimääräysten mukaisesti, missä hävittäminen tapahtuu (mieluiten kierrättää).
- Kaikki tuotekomponentit täytyy hävittää sen maan lakimääräysten mukaisesti, missä hävittäminen tapahtuu (mieluiten kierrättää).
- Oikeanlaista hävittämistä varten laite täytyy toimittaa valtuutettuun kierrätyskeskukseen, jotta on varmaa, että kaikki kierrätettävissä olevat komponentit käytetään uudelleen ja muut materiaalit käsitellään asianmukaisesti.
- Varmista asennuksen aikana, että tilassa on riittävä tuuletus eikä ilma pääse seisomaan ja vaikuttamaan haitallisesti käyttäjän terveyteen.
- Varmista käytön ja huollon aikana, että kaikki haitalliset jätteaineet (öljy, rasva jne.) hävitetään asianmukaisesti.
- Pidä melutaso pienenä meluhaittojen vähentämiseksi.

Lisää tietoa tuotteidemme asianmukaisesta purkamisesta löydät kierrätysohjeista osoitteesta www.dometic.com.

- Vie pakkausmateriaali mahdollisuuksien mukaan vastaavan kierrätysjätteen joukkoon.
- Huolehdi käytön sekä korjausten ja huoltotöiden yhteydessä siitä, että jäähdytyskiertoa ei vahingoiteta ja että kylmäainetta ei pääse karkuun. Se vaikuttaa kasvihuonekaasun tavoin eikä saisi päästä ympäristöön.



Jos poistat tuotteen lopullisesti käytöstä, ota selvää laitteen hävittämistä koskevista määräyksistä lähimmässä kierrätyskeskuksessa tai kauppialtasi.

- Hävitä tuote vain voimassa olevien kierrätys- tai hävitysmääräysten mukaisesti valtuutetussa hävitysyrityksessä.



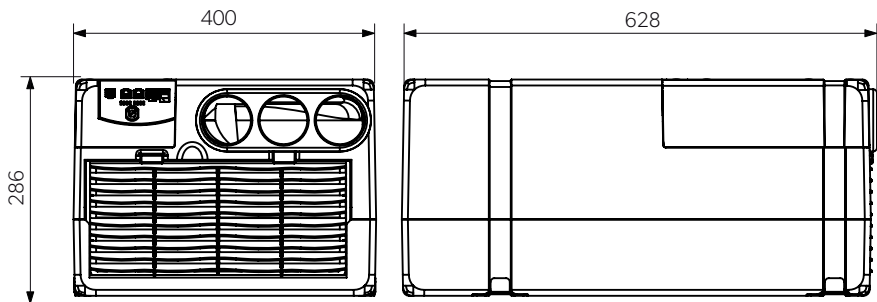
Muista ympäristönsuojelu!


Akut ja paristot eivät kuulu kotitalousjätteen sekaan.

Toimita vialliset akut tai käytetyt paristot kauppiaille tai keräyspisteeseen.

10 Tekniset tiedot

	FreshWell 3000
Tuotenumero:	9105306670
Jäähdytysteho normin ISO 5151 mukaan:	2700 W
Lämmitysteho:	3000 W (2500 W + 500 W lisälämmityselementti)
Nimellinen tulojännite:	230 V~ / 50 Hz
Virrankulutus:	Jäähdytys: 4,3 A Lämmitys: 4,8 A
Tarvittava sulake:	5 A
Käyttölämpötila-alue:	0 °C – +52 °C
Kylmäaine:	R-410A
Jäähdytysainemäärä:	0,6 kg
CO ₂ -ekvivalentti:	1,2528 t
Vaikutus ilmaston lämpenemiseen (GWP):	2088
Lisälämmityselementti:	500 W
Puhallin:	3 puhallintehoa 1 automaattitila
Suojausluokka:	IP X5
Ajoneuvotilan maks. tilavuus (eristetyt seinät):	30 m ³
Mitat P x L x K (mm):	628 x 400 x 286



	FreshWell 3000
Paino:	n. 21 kg
Tarkastus/sertifikaatti:	

Sisältää fluorattuja kasvihuonekaasuja

Ilmatiiviisti suljetulla laitteella

Прочтите данную инструкцию перед монтажом и вводом в эксплуатацию и сохраните ее. В случае передачи продукта передайте инструкцию следующему пользователю.

Оглавление

1	Пояснение символов	174
2	Указания по безопасности и монтажу	175
3	Целевая группа данной инструкции	177
4	Объем поставки	177
5	Использование по назначению	178
6	Заводские таблички	178
7	Монтаж	179
8	Устранение неисправностей	184
9	Утилизация	186
10	Технические данные	188

1 Пояснение символов



ПРЕДУПРЕЖДЕНИЕ!

Указания по технике безопасности: Несоблюдение может привести к смертельному исходу или тяжелым травмам.



ОСТОРОЖНО!

Указания по технике безопасности: Несоблюдение может привести к травмам.



ВНИМАНИЕ!

Несоблюдение может привести к повреждениям и нарушить работу продукта.



УКАЗАНИЕ

Дополнительная информация по управлению продуктом.

2 Указания по безопасности и монтажу

Соблюдайте указания по технике безопасности и требования, предписанные изготовителем автомобиля и автомастерской!

Изготовитель не несет никакой ответственности за ущерб в следующих случаях:

- Повреждения продукта из-за механических воздействий и перенапряжений
- Изменения в продукте, выполненные без однозначного разрешения изготовителя
- Использование в целях, отличных от указанных в данной инструкции

Соблюдайте следующие основные предписания по технике безопасности при пользовании электроприборами для защиты от:

- поражения электрическим током
- опасности возникновения пожара
- травм

2.1 Обращение с прибором



ПРЕДУПРЕЖДЕНИЕ!

- Монтаж и ремонт кондиционера разрешается выполнять только специалистам, знакомым с возможными опасностями и с соответствующими стандартами и предписаниями. Неправильно выполненный ремонт может приводить к серьезным опасностям. При необходимости ремонта обратитесь в сервисный центр в Вашей стране (адреса указаны на обороте).
- **Электроприборы не являются детскими игрушками!**
Дети не в состоянии правильно оценить опасности, исходящие от электроприборов. Не оставляйте детей пользоваться электроприборами без присмотра.
- Лица, которые в связи с ограниченными физическими, сенсорными или умственными способностями или с недостатком опыта или знаний, не в состоянии пользоваться прибором, не должны использовать прибор без постоянного присмотра или инструктажа ответственными за них лицами.
- В случае пожара используйте только допущенные средства пожаротушения. Не используйте воду для тушения пожара.

**ОСТОРОЖНО!**

- Кондиционер должен быть установлен так, чтобы исключить опасность его падения.
- Эксплуатируйте кондиционер только в том случае, если корпус и провода не имеют повреждений.
- Не эксплуатируйте кондиционер вблизи легковоспламеняющихся жидкостей и газов.
- Следите за тем, чтобы горючие предметы не складировались и не устанавливались в зоне выхода воздуха. Расстояние должно составлять не менее 50 см.
- Не вводить руки в выходные вентиляционные отверстия и не вводить инородные предметы в кондиционер.

**ВНИМАНИЕ!**

- Используйте прибор только по назначению.
- Кондиционер не пригоден для эксплуатации на сельскохозяйственных и строительных машинах.
- Не выполняйте никаких изменений и переделок на приборе.
- При возникновении неисправностей в контуре хладагента кондиционера он должен быть проверен и отремонтирован специализированной мастерской. Категорически запрещается сбрасывать хладагент в атмосферу.

2.2 Обращение с электрическими проводами

**ПРЕДУПРЕЖДЕНИЕ!**

- Подключение к электрической сети разрешается выполнять только специализированной организации (например, в Германии согласно VDE 0100, часть 721).

**ОСТОРОЖНО!**

- Крепите и прокладывайте провода так, чтобы исключить опасность спотыкания и повреждения кабеля.

**ВНИМАНИЕ!**

- Если необходимо провести электрические провода через стенки с острыми краями, то используйте металлорукава или кабельные вводы.
- Не прокладывайте незакрепленные или сильно изогнутые провода по электропроводящим материалам (металлу).
- Не тяните за провода.

3 Целевая группа данной инструкции

Данная инструкция предназначена для сотрудников мастерских, которые знакомы с применяемыми директивами и мерами безопасности.

4 Объем поставки

№ на рис. 1	Количество	Наименование
1	1	Встраиваемый в багажный ящик кондиционер
2	1	Пульт дистанционного управления
3	1	Приемник
4	4	Воздушный фильтр
5	2	Крепежный уголок
6	4	Крепежная скоба
7	14	Крепежный винт
8	2	Сливная труба
9	2	Внешняя решетка
–	1	Монтажный шаблон

5 Использование по назначению

Напольный встраиваемый кондиционер FreshWell 3000 (артикул 9105306670) предназначен для жилых автомобилей, кемперов и других транспортных средств с жилыми помещениями. Кондиционер **не предназначен** для домов и квартир.

Кондиционер **не** пригоден для установки на строительных и сельскохозяйственных машинах или аналогичном рабочем оборудовании. При сильных вибрациях не гарантируется надлежащая работа.

Функционирование FreshWell 3000 гарантируется при температуре от 0 °C до 52 °C.



УКАЗАНИЕ

Дальнейшая информация о кондиционере, как, например, техническое описание и управление, приведена в инструкции по эксплуатации.

6 Заводские таблички

На кондиционере Dometic FreshWell расположены заводские таблички. Они информируют пользователя и монтажника о технических характеристиках прибора.

7 Монтаж



ОСТОРОЖНО! Опасность травмирования!

Монтаж кондиционера разрешается выполнять только обученным этому специалистам. Последующая информация предназначена для специалистов, которые знакомы с применяемыми директивами и мерами безопасности.

7.1 Указания по монтажу

Перед монтажом кондиционера необходимо полностью прочесть инструкцию по монтажу.

Следующие указания и советы следует соблюдать при монтаже кондиционера:



ОПАСНОСТЬ! Внимание! Опасность для жизни вследствие поражения электрическим током!

При работах на кондиционере всегда прерывайте электропитание.



ОСТОРОЖНО! Опасность травмирования!

- Неправильный монтаж кондиционера может приводить к непоправимым повреждениям прибора и отрицательно сказываться на безопасности пользователя.
- Если кондиционер не монтируется согласно данной инструкции по монтажу, то изготовитель не несет никакой ответственности ни за отказы в работе, ни за безопасность кондиционера, в частности, за травмы людей и/или материальный ущерб.
- При всех работах носите предписанную защитную одежду (например, защитные очки, защитные рукавицы).



ВНИМАНИЕ! Опасность повреждения!

При монтаже кондиционера всегда учитывайте статическую устойчивость автомобиля и герметизацию всех отверстий, образующихся при монтаже.

Указания по транспортировке

- Всегда переносите кондиционер вдвоем.
- В целях перемещения всегда поднимайте кондиционер, но не тащите его по земле (рис. **2 А**).
- Для подъема не используйте вентиляционные прорези (рис. **2 В**).

Указания о месте монтажа

- Для монтажа кондиционера должны быть выполнены отверстия в днище. Эти отверстия должны быть легко доступны и не должны перекрываться деталями автомобиля.
- Перед монтажом кондиционера убедитесь в том, что вследствие монтажа кондиционера не могут быть повреждены другие узлы автомобиля (например, светильники, шкафы, двери).
- Следите за тем, чтобы горючие предметы не складировались и не устанавливались в зоне выхода воздуха. Расстояние должно составлять не менее 50 см.
- Уклон в месте монтажа не должен превышать 10°.
- В целях обеспечения безопасности учитывайте при монтаже кондиционера (при сверлении, установке винтов и т. п.) прохождение имеющихся, особенно не видимых кабелей, проводов и других компонентов, которые находятся в зоне монтажа.
- Для оптимального кондиционирования воздуха в автомобиле устанавливайте кондиционер, по возможности, в центральной позиции в ящике или аналогичном устройстве.
- Выберите место, легко доступное для работ по техническому обслуживанию и для монтажа и демонтажа прибора.
- Уложите монтажный шаблон в выбранный ящик и проверьте наличие места для отверстий в днище.
- Для сведения к минимуму передачи шумов и вибраций во время работы кондиционер должен располагаться на расстоянии не менее 30 мм до окружающих стенок или мебели.
- Прибор должен быть установлен на днище.
- Для облегчения замены фильтра оставьте расстояние в 200 мм между лицевой панелью прибора и боковыми стенками ящика.
- При монтаже прибора в ящике за пределами автомобиля (например, двойное днище) обрабатываемый воздух должен всасываться из внутреннего помещения автомобиля.
- Всасывание наружного воздуха может значительно снизить производительность установки.

Указания по электрической системе (см. рис. 13)

№ на рис. 13	Наименование
1	Двигатель вентилятора (внутреннего)
2	Двигатель вентилятора (внешнего)
3	Конденсатор
4	Компрессор
5	Датчик температуры
6	Плата
7	Плата дисплея
8	РСВ-интерфейс
9	Плавный пуск
10	Клапан
11	Резистор

- Доверяйте выполнение электрического подключения кондиционера только специалисту.
- Сравните значения напряжения, указанные на заводской табличке, с характеристиками имеющегося источника питания.
- Не прокладывайте провода незакрепленными или сильно изогнутыми по электропроводящим материалам (металлу).
- На стороне монтажа установите выключатель по всем полюсам с раствором контактов не менее 3 мм.

7.2 Выполнение отверстий**См. рис. 3**

- Разметьте положение и размеры отверстий с помощью шаблонов, содержащихся в упаковке (**A** и **B**).

См. рис. 4

- Высверлите углы (**A**).
- Осторожно вырежьте отверстие на крыше ножовкой и т. п. (**B**).
При этом следите за тем, чтобы не повредить электрические кабели.
- Просверлите отверстие для слива конденсата с диаметром 32 мм (**C**).

См. рис. 5

- Отметьте положение для крепежного уголка (**A**) и крепежной скобы (**B**).

7.3 Крепление крепежной скобы и ремней

См. рис. 6

- Закрепите четыре крепежные скобы (**A**).
- Протяните ремни через крепежные скобы (**B**).
- Установите сливные трубы под кондиционером, встраиваемым в багажный ящик (**C**).
- Закрепите кондиционер ремнями (**D**).

7.4 Крепление крепежного уголка

См. рис. 7

- Закрепите кондиционер обоими крепежными уголками и тремя винтами (для каждого уголка).

7.5 Крепление внешней решетки

См. рис. 8

- Закрепите внешнюю решетку, как показано на рисунке, с помощью винтов и шайб, входящих в комплект поставки.

7.6 Крепление приемника

См. рис. 9

- Просверлите отверстие диаметром 50 мм в стенке.

См. рис. 10

- Проведите кабель через отверстие к кондиционеру.
- Закрепите приемник, как показано на рисунке.

7.7 Прокладка соединительных проводов



ОПАСНОСТЬ! Опасность для жизни из-за поражения электрическим током!

Перед работами на работающих от электрического тока узлах убедиться в отсутствии напряжения!

Кондиционер должен быть присоединен к электрической цепи, которая в состоянии подавать ток требуемой силы (см. гл. «Технические данные» на стр. 188).

- Выберите поперечное сечение провода соответственно длине провода:
 - Длина < 7,5 м: 1,5 мм²
 - Длина > 7,5 м: 2,5 мм²

См. рис. 11

- Вставьте 4-контактный штекер приемника в гнездо IR кондиционера (1).
- Вставьте штекер 230 В~ (2) в розетку 230 В~.

7.8 Подвод воздуха

См. рис. 12

Реализуйте подвод воздуха с помощью каналов из стандартных деталей (**не** входят в объем поставки). Рекомендуется использовать картонные трубки для кондиционеров с внутренней облицовкой из алюминия и наружной облицовкой из ПВХ. Номинальный внутренний диаметр этих трубок должен составлять 60 мм, наружный диаметр – 65 мм.

Вентиляционные трубы соединяются обжатием с помощью конического отверстия на выходе воздуха.

Трубы подсоединены к клапанному выходу.

Для оптимальной работы рекомендуется:

- прокладывайте воздухопроводы как можно короче и ровнее
- длина труб не должна превышать 5 м
- не прокладывайте трубы вблизи источников тепла

Циркулирующий воздух всасывается через решетку или другие отверстия с поперечным сечением, рассчитанным на воздушный поток не менее 300 см². Отверстие циркуляционного воздуха должно быть расположено вблизи прибора. Если это не возможно, подводу воздуха не должны препятствовать какие-либо предметы; при необходимости, проложите между отверстием и прибором воздуховод.



УКАЗАНИЕ

Изолируйте трубы подходящим изоляционным материалом (не входит в комплект поставки) во избежание образования конденсата на трубах.

Циркуляционный воздух должен отбираться из внутреннего помещения автомобиля; подача наружного воздуха может значительно ухудшать эффективность работы прибора.

8 Устранение неисправностей

Неисправность	Причина	Устранение
Отсутствует холодопроизводительность	Кондиционер не настроен на охлаждение.	➤ Настройте кондиционер на охлаждение.
	Окружающая температура превышает 52 °С.	Кондиционер рассчитан только на окружающие температуры до 52 °С.
	Настроенная температура выше температуры в помещении.	➤ Выберите более низкую температуру.
	Окружающая температура меньше 16 °С.	Кондиционер рассчитан только на окружающие температуры свыше 16 °С.
	Повреждена теплоизоляция.	➤ Обратитесь в уполномоченную мастерскую.
	Неисправен компрессор.	
	Недостаточное заполнение хладагентом.	
Загрязнен регистр теплообменника.		
Неисправен наружный вентилятор.		

Неисправность	Причина	Устранение
Отсутствует тепло-производительность	Кондиционер в багажном ящике не настроен на нагрев.	➤ Настройте кондиционер в багажном ящике на нагрев.
	Температура окружающей среды составляет менее 0 °С.	Кондиционер в багажном ящике рассчитан только на температуру окружающей среды выше 0 °С.
	Настроенная температура ниже температуры в помещении.	➤ Выберите более высокую температуру.
	Окружающая температура превышает 31 °С.	Температура настраивается от 16 °С до 31 °С.
	Неисправна теплозащита. Неисправен компрессор.	➤ Обратитесь в уполномоченную мастерскую.
	Недостаточное заполнение хладагентом. Загрязнен регистр теплообменника. Неисправен внешний вентилятор.	
Плохая подача воздуха	Засорен воздушный фильтр.	➤ Очистите воздушный фильтр.
	Загрязнен регистр теплообменника.	➤ Обратитесь в уполномоченную мастерскую.
	Неисправен внутренний вентилятор.	
Попадание воды в автомобиль	Засорены отверстия для отвода конденсата.	➤ Очистите отверстия для отвода конденсата.
	Повреждены уплотнения.	➤ Обратитесь в уполномоченную мастерскую.
Кондиционер не включается	Отсутствует напряжение питания (230 В~).	➤ Проверьте электропитание.
	Слишком низкое напряжение (ниже 200 В~). Неисправен трансформатор напряжения.	➤ Обратитесь в уполномоченную мастерскую.
	Повреждена теплоизоляция.	
	Предохранитель электропитания рассчитан на слишком низкую силу тока.	➤ Проверьте предохранитель электропитания.

Неисправность	Причина	Устранение
Кондиционер прекращает работу	Засорен воздушный фильтр.	➤ Очистите воздушный фильтр.
	Слишком низкое напряжение (ниже 200 В~).	➤ Обратитесь в уполномоченную мастерскую.
	Неисправен трансформатор напряжения.	
	Повреждена теплоизоляция.	
	Неисправен вентилятор конденсатора.	
	Загрязнен регистр теплообменника.	
	Неисправен наружный вентилятор.	
Кондиционер не выключается	Неисправен один из датчиков температуры.	➤ Обратитесь в уполномоченную мастерскую.

9 Утилизация

Предписания по охране окружающей среды и правильной утилизации

Все организации должны принимать меры по распознаванию, анализу и контролю влияния своей деятельности (производства, продуктов, сервиса и т. п.) на окружающую среду.

Принимаемые меры по распознаванию серьезного влияния на окружающую среду должны учитывать следующие факторы:

- использование сырья и природных ресурсов
- выбросы в атмосферу
- утечка жидкостей
- утилизация и повторное использование
- загрязнение почвы

Для сведения к минимуму воздействий на окружающую среду изготовитель ниже представляет ряд признаков, которые должен учитывать каждый, кто (не важно, по какой причине) связан с прибором в течение его срока службы.

- Весь упаковочный материал должен быть утилизирован согласно предписаниям законов страны, в которой выполняется утилизация (предпочтительно вторичное использование отходов).
- Все компоненты продукта должны быть утилизированы согласно предписаниям законов страны, в которой выполняется утилизация (предпочтительно вторичное использование отходов).

- Для правильной утилизации прибор должен быть передан в уполномоченный центр по вторичной переработке, чтобы гарантировать, что все пригодные для повторного использования компоненты будут повторно использованы, а остальные материалы будут должным образом утилизированы.
- Во время монтажа убедитесь в том, что помещение достаточно вентилируется, чтобы предотвратить образование затхлого воздуха, который может быть вреден для здоровья пользователей.
- Во время эксплуатации и технического обслуживания убедитесь в том, что все вредные отходы (масло, консистентная смазка и т. п.) должным образом утилизируются.
- Поддерживайте как можно меньшим уровень шума.

Дальнейшая информация по правильному демонтажу и выводу наших продуктов из эксплуатации приведена в инструкциях по утилизации на сайте www.dometic.com.

- По возможности, выкидывайте упаковочный материал в мусор, подлежащий вторичной переработке.
- При эксплуатации, а также при ремонте и техническом обслуживании следите за тем, чтобы не повреждать контур хладагента и хладагент не мог вытечь. Он действует как парниковый газ и не должен попадать в атмосферу.



Если Вы окончательно выводите продукт из эксплуатации, то получите информацию в ближайшем центре по вторичной переработке или в торговой сети о соответствующих предписаниях по утилизации.

- Утилизируйте продукт только согласно действующим предписаниям по утилизации и повторному использованию в уполномоченном центре по переработке отходов.

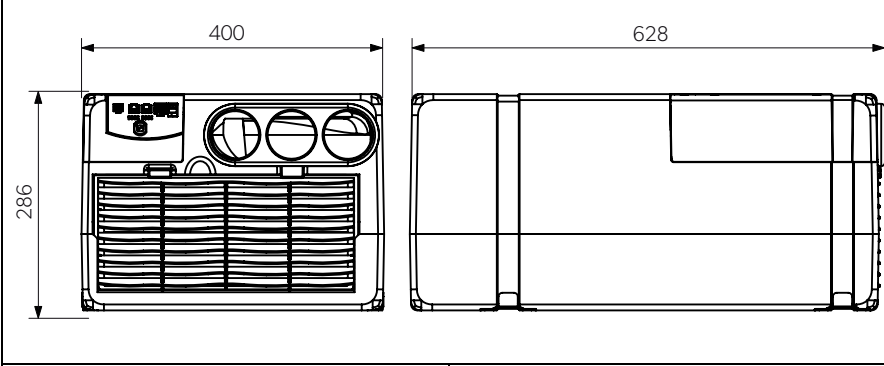



Защищайте окружающую среду!

Аккумуляторы и батареи запрещается выбрасывать в бытовой мусор. Неисправные аккумуляторы и разряженные батареи сдавайте в торговую организацию или в специальные сборные пункты.

10 Технические данные

	FreshWell 3000
Арт. №:	9105306670
Мощность охлаждения согласно ISO 5151:	2700 Вт
Теплопроизводительность:	3000 Вт (2500 Вт + 500 Вт дополнительный нагревательный элемент)
Входное номинальное напряжение:	230 В~ / 50 Гц
Потребление электроэнергии:	Охлаждение: 4,3 А Нагрев: 4,8 А
Требуемый предохранитель:	5 А
Диапазон рабочих температур:	от 0 °С до +52 °С
Хладагент:	R-410A
Количество хладагента:	0,6 кг
Эквивалент CO ₂ :	1,2528 т
Потенциал глобального потепления (GWP):	2088
Дополнительный нагревательный элемент:	500 Вт
Вентилятор:	3 режима работы 1 автоматический режим
Класс защиты:	IP X5
Макс. объем помещения автомобиля (с изолированными стенами):	30 м ³
Размеры, Д x Ш x В (мм):	628 x 400 x 286

FreshWell 3000	
	
Вес:	ок. 21 кг
Испытания/сертификат:	

Содержит фторированные парниковые газы

Герметически закрытая конструкция

Przed instalacją i uruchomieniem urządzenia należy uważnie przeczytać niniejszą instrukcję. Instrukcję należy zachować. W razie przekazywania urządzenia należy ją udostępnić kolejnemu nabywcy.

Spis treści

1	Objaśnienie symboli	190
2	Uwagi dotyczące bezpieczeństwa i montażu	191
3	Odbiorcy instrukcji	193
4	Zakres dostawy	193
5	Użytkowanie zgodne z przeznaczeniem	194
6	Tabliczki informacyjne.	194
7	Montaż.	194
8	Usuwanie usterek	200
9	Utylizacja	202
10	Dane techniczne	203

1 Objąśnienie symboli



OSTRZEŻENIE!

Wskazówka dot. bezpieczeństwa: Nieprzestrzeganie może prowadzić do śmierci lub ciężkich obrażeń ciała.



OSTROŻNIE!

Wskazówka dot. bezpieczeństwa: Nieprzestrzeganie może prowadzić do obrażeń ciała.



UWAGA!

Nieprzestrzeganie może prowadzić do powstania szkód materialnych i zakłóceń w działaniu produktu.



WSKAZÓWKA

Informacje uzupełniające dot. obsługi produktu.

2 Uwagi dotyczące bezpieczeństwa i montażu

Należy stosować się do zasad bezpieczeństwa i dokumentacji udostępnianych przez producenta i warsztaty serwisowe!

Producent nie odpowiada za szkody spowodowane:

- uszkodzeniem produktu w sposób mechaniczny lub spowodowany przeciążeniami elektrycznymi
- zmianami dokonanyymi w produkcie bez wyraźnej zgody producenta
- użytkowaniem w celach innych niż opisane w niniejszej instrukcji

Należy przestrzegać podstawowych zasad bezpieczeństwa obowiązujących przy używaniu urządzeń elektrycznych w celu ochrony przed:

- porażeniem prądem
- pożarem
- obrażeniami ciała

2.1 Korzystanie z urządzenia



OSTRZEŻENIE!

- Montażu i napraw klimatyzatora umieszczonego w schowku mogą dokonywać tylko specjaliści, którzy zapoznali się ze związanymi z tym zagrożeniami i stosownymi przepisami. Niefachowe naprawy mogą spowodować poważne niebezpieczeństwo. W celu przeprowadzenia naprawy należy zwrócić się do punktu serwisowego działającego w danym kraju (adresy na odwrocie).
- **Urządzenia elektryczne nie są zabawkami dla dzieci!**
Dzieci nie są w stanie ocenić zagrożeń, które mogą one powodować. Nie należy pozwalać dzieciom na korzystanie z urządzeń elektrycznych bez nadzoru.
- Osoby, które z powodu swych ograniczonych zdolności fizycznych, sensorycznych lub intelektualnych albo niedoświadczenia bądź niewiedzy nie są w stanie bezpiecznie używać urządzenia, nie powinny tego robić bez nadzoru odpowiedzialnej osoby.
- W przypadku pożaru należy stosować jedynie atestowane środki gaśnicze. Do gaszenia nie należy używać wody.

**OSTROŻNIE!**

- Klimatyzator umieszczany w schowku musi być zainstalowany sposob uniemożliwiający jego oderwanie się.
- Nie wolno używać urządzenia, jeśli ma uszkodzoną obudowę lub przewody.
- Nie należy umieszczać klimatyzatora umieszczanego w schowku w pobliżu łatwopalnych płynów i gazów.
- Nie wolno składować ani montować łatwopalnych przedmiotów w pobliżu wylotu powietrza. Odstęp musi wynosić co najmniej 50 cm.
- Nie wolno sięgać do wylotów wentylacyjnych i nie wkładać żadnych przedmiotów do urządzenia.

**UWAGA!**

- Urządzenie należy wykorzystywać zgodnie z jego przeznaczeniem.
- Klimatyzator umieszczany w schowku nie jest przeznaczony do stosowania w maszynach rolniczych ani budowlanych.
- Nie wolno dokonywać żadnych modyfikacji ani przebrojeń urządzenia.
- W razie wystąpienia awarii w układzie chłodniczym urządzenia, należy zlecić kontrolę i właściwą naprawę w specjalistycznym warsztacie. Czynnika chłodniczego nie można w żadnym razie wypuszczać do atmosfery.

2.2 Obchodzenie się z przewodami elektrycznymi



OSTRZEŻENIE!

- Podłączenie elektryczne może wykonać tylko specjalistyczna firma (np. w Niemczech obowiązują przepisy VDE 0100, część 721).



OSTROŻNIE!

- Przewody należy układać i mocować w taki sposób, aby uniknąć potykania się o nie i ich uszkodzenia.



UWAGA!

- Jeżeli przewody są przeprowadzane przez ściany o ostrych krawędziach, należy użyć pustych rurek lub przepustów przewodów.
- Nie układać luźnych albo mocno zgiętych przewodów na materiałach przewodzących prąd (metal).
- Nie należy ciągnąć za przewody.

3 Odbiorcy instrukcji

Instrukcja jest skierowana do specjalistów, którzy zapoznali się z zasadami i środkami bezpieczeństwa.

4 Zakres dostawy

Nr na rys. 1	Liczba	Nazwa
1	1	Klimatyzator umieszczany w schowku
2	1	Pilot
3	1	Odbiornik
4	4	Filtr powietrza
5	2	Kątownik mocujący
6	4	Jarżmo mocujące
7	14	Śruba mocująca
8	2	Przewód odpływowy
9	2	Kratka zewnętrzna
–	1	Szablon instalacyjny

5 Użytkowanie zgodne z przeznaczeniem

Klimatyzator dachowy Dometic FreshWell 3000 (nr art. 9105306670) jest przeznaczony wyłącznie do stosowania w pojazdach kempingowych, karawanach i innych pojazdach z pomieszczeniami mieszkalnymi. **Nie** nadaje się do stosowania w domach lub mieszkaniach.

Klimatyzator umieszczany w schowku **nie** jest przeznaczony do instalacji w maszynach budowlanych, rolniczych ani podobnych urządzeniach roboczych. Przy zbyt silnych wibracjach nie gwarantuje się prawidłowego działania urządzenia.

Działanie klimatyzatora FreshWell 3000 jest gwarantowane w temperaturach od 0 °C do 52 °C.



WSKAZÓWKA

Dodatkowe informacje na temat klimatyzatora dachowego, jak opis techniczny i wskazówki dotyczące obsługi znajdują się w instrukcji obsługi.

6 Tabliczki informacyjne

Na klimatyzatorze umieszczanym w schowku Dometic FreshWell umieszczono znaki informacyjne. Informują one użytkowników i instalatora o specyfice urządzenia.

7 Montaż



OSTROŻNIE! Ryzyko obrażeń!

Montaż klimatyzatora umieszczanego w schowku może być wykonywany wyłącznie w specjalistycznych zakładach przez osoby z odpowiednimi kwalifikacjami. Poniższe informacje są skierowane do specjalistów, którzy zapoznali się z odpowiednimi wytycznymi i środkami bezpieczeństwa.

7.1 Wskazówki dot. montażu

Przed montażem klimatyzatora umieszczanego w schowku należy koniecznie przeczytać całą instrukcję montażu.

Podczas montażu należy stosować się do następujących zasad i wskazówek.



NIEBEZPIECZEŃSTWO! Zagrożenie życia w wyniku porażenia prądem!

Podczas prac przy klimatyzatorze umieszczanego w schowku należy odłączyć wszystkie źródła napięcia.



OSTROŻNIE! Ryzyko obrażeń!

- Nieprawidłowy montaż klimatyzatora może spowodować nieodwracalne uszkodzenie urządzenia i zagrożenie bezpieczeństwa użytkownika.
- Jeśli klimatyzator zostanie zamontowany niezgodnie z instrukcją montażu, producent nie ponosi żadnej odpowiedzialności za usterki w działaniu ani za bezpieczeństwo klimatyzatora, a w szczególności za obrażenia ciała i szkody materialne.
- Podczas wszystkich prac należy nosić wymaganą odzież ochronną (np. okulary ochronne, rękawice ochronne).



UWAGA! Niebezpieczeństwo uszkodzenia!

Podczas montażu klimatyzatora umieszczanego w schowku należy zawsze pamiętać o statyce pojazdu i o uszczelnieniu wszystkich otworów powstałych podczas montażu.

Uwagi dotyczące transportu

- Klimatyzator umieszczany w schowku należy przenosić zawsze w dwie osoby.
- Aby przenieść klimatyzator, należy go zawsze podnieść, nie wolno ciągnąć go po ziemi (rys. **2 A**).
- Nie należy podnosić urządzenia za tylne otwory wentylacyjne (rys. **2 B**).

Uwagi dotyczące miejsca montażu

- W celu instalacji klimatyzatora umieszczanego w schowku należy wykonać otwory w podłożu. Otwory te muszą być łatwo dostępne i nie mogą być zakryte przez części konstrukcyjne pojazdu.
- Przed zamontowaniem klimatyzatora umieszczanego w schowku należy sprawdzić, czy przez instalację nie zostaną uszkodzone żadne części pojazdu (np. lampy, szafy, drzwi).
- Należy uważać, aby nie składować ani nie montować łatwopalnych przedmiotów w pobliżu wylotu powietrza. Odstęp musi wynosić co najmniej 50 cm.
- Nachylenie powierzchni montażu nie może przekraczać 10°.

- Ze względów bezpieczeństwa podczas montażu klimatyzatora (podczas wiercenia lub przykręcania) należy uważać na położenie przebiegających, w szczególności niewidocznych przewodów i innych części znajdujących się w obszarze montażu!
- W celu optymalnej klimatyzacji pojazdu należy zainstalować klimatyzator możliwie w centralnej pozycji w schowku lub podobnym miejscu.
- Należy wybrać miejsce, które będzie łatwo dostępne w przypadku prac konserwacyjnych, jak i w celu montażu i demontażu urządzenia.
- Należy umieścić szablon instalacyjny w wybranym schowku i sprawdzić dostępne miejsce dla otworów w podłożu.
- W celu minimalizacji przenoszenia hałasu i drgań podczas pracy klimatyzator umieszczany w schowku należy zachować odstęp minimalny około 30 cm od ścian lub mebli.
- Urządzenie musi być zainstalowane na stabilnym podłożu.
- Należy zapewnić odstęp wynoszący 200 mm pomiędzy przednią ścianą urządzenia oraz bokami schowka w celu zapewnienia łatwej wymiany filtra.
- Przy montażu urządzenia w schowku poza pojazdem (np. przy podwójnym dnie) należy zagwarantować możliwość zasysania powietrza z wnętrza pojazdu.
- Zassanie powietrza zewnętrznego może w znacznym stopniu ograniczyć wydajność pracy urządzenia.

Wskazówki do montażu elektrycznego (zob. rys. 13)

Nr na rys. 13	Nazwa
1	Silnik wentylatora (wewnątrz)
2	Silnik wentylatora (zewnątrz)
3	Kondensator
4	Sprężarka
5	Czujnik temperatury
6	Płytki obwodu drukowanego
7	Wyświetlacz płytki
8	Złącze PCB
9	Delikatny rozruch
10	Zawór
11	Opornik

- Podłączenie elektryczne klimatyzatora umieszczanego w schowku należy zlecić wykwalifikowanej osobie.
- Należy porównać dane dotyczące napięcia na tabliczce znamionowej z dostępnym źródłem zasilania.
- Nie wolno układać luźnych albo mocno zgiętych przewodów na materiałach przewodzących prąd (metal).
- Od strony montażu należy zamontować wielobiegunowy przełącznik z min. rozwarciem styków 3 mm.

7.2 Wykonanie otworów

Zob. rys. 3

- ▶ Należy narysować położenie i wielkość otworów za pomocą szablonu, który znajduje się w opakowaniu (**A** oraz **B**).

Zob. rys. 4

- ▶ Należy wywiercić otwory w rogach (**A**).
- ▶ Starannie wyciąć otwór w dachu za pomocą otwornicy lub podobnego narzędzia (**B**).
Należy uważać, aby nie uszkodzić przewodów elektrycznych.
- ▶ Należy wywiercić otwory odpływowe dla wody kondensacyjnej o średnicy 32 mm (**C**).

Zob. rys. 5

- ▶ Zaznaczyć pozycję dla kątowników mocujących (**A**) i pałąków mocujących (**B**).

7.3 Mocowanie pałąka mocującego i pasów

Zob. rys. 6

- ▶ Należy zamocować cztery jarzma mocujące (**A**).
- ▶ Pasy należy przeciągnąć przez jarzma mocujące (**B**).
- ▶ Zamontować przewody odpływowe pod klimatyzatorem podławkowym (**C**).
- ▶ Należy zamocować klimatyzator umieszczany w schowku za pomocą pasów (**D**).

7.4 Mocowanie kątowników mocujących

Zob. rys. 7

- ▶ Klimatyzator umieszczany w schowku należy zamocować za pomocą obu kątowników mocujących oraz trzema śrubami mocującymi przy każdym kątowniku zgodnie z rysunkiem.

7.5 Mocowanie kratki zewnętrznej

Zobacz rys. 8

- ▶ Za pomocą znajdujących się w zestawie śrub i podkładek przymocować kratkę zewnętrzną w sposób przedstawiony na rysunku.

7.6 Mocowanie odbiornika

Zob. rys. 9

- ▶ W ścianie należy wywiercić otwór o średnicy 50 mm.

Zob. rys. 10

- ▶ Należy przeprowadzić kabel przez otwór do klimatyzatora umieszczonego w schowku.
- ▶ Odbiornik należy przymocować w sposób przedstawiony na rysunku.

7.7 Ułożenie przewodów przyłączeniowych



NIEBEZPIECZEŃSTWO! Zagrożenie życia w wyniku porażenia prądem!

Przed rozpoczęciem prac nad częściami zasilanymi prądem elektrycznym należy upewnić się, że nie są one już podłączone do napięcia!

Klimatyzator umieszczany w schowku wymaga podłączenia do obwodu elektrycznego, który może dostarczyć odpowiednie zasilanie (patrz rozdz. „Dane techniczne” na stronie 203).

- ▶ Przekrój przewodu należy wybrać odpowiednio do długości przewodu:
 - Długość < 7,5 m: 1,5 mm²
 - Długość > 7,5 m: 2,5 mm²

Zob. rys. 11

- ▶ 4-pinową wtyczkę odbiornika należy wcisnąć do gniazda IR klimatyzatora umieszczonego w schowku (1).
- ▶ Wtyczkę 230 V~ (2) należy podłączyć do gniazda o mocy 230 V~.

7.8 Kierowanie krążeniem powietrza

Zob. rys. 12

Kierowanie krążeniem powietrza należy zapewnić poprzez kanały utworzone ze standardowych elementów montażowych dostępnych na rynku (**nieobjęte** zakresem dostawy). Zaleca się użycie rur papierowych stosowanych do klimatyzacji wyłożone wewnątrz warstwą aluminium oraz z zewnętrzną powłoką z PVC. Nominalna średnica wewnętrzna takiej rury powinna wynosić przynajmniej 60 mm, a średnica zewnętrzna 65 mm.

Rury wentylacyjne są łączone za pomocą odwiertu stożkowego przy wylocie powietrza poprzez nacisk.

Rury są podłączane do wyjścia grzejnika.

W celu uzyskania optymalnej efektywności zaleca się:

- Ułożenie przewodów rurowych możliwie krótkich oraz leżących w linii prostej,
- Ograniczenie długości rury do maksymalnie 5 m,
- Nieukładanie rur w pobliżu źródeł ciepła.

Powietrze recyrkulacyjne jest zasysane przez siatkę lub inne otwory o średnicy, która jest przewidziana dla strumienia powietrza wynoszącego przynajmniej 300 cm².

Otwór recyrkulacyjny musi zostać wykonany w pobliżu urządzenia. Jeśli nie jest to możliwe, przepływ powietrza nie powinien być zakłócony przez różne przedmioty; pomiędzy otworem oraz urządzeniem należy utworzyć kanał powietrzny.

**WSKAZÓWKA**

Zaizolować przewody odpływowe odpowiednim materiałem izolacyjnym (nieobjęty zestawem), aby uniknąć powstawania na nich kondensatu.

Powietrze recyrkulacyjne musi zostać pobrane z wnętrza pojazdu; w przypadku dopływu powietrza z zewnątrz wydajność urządzenia może zostać znacznie obniżona.

8 Usuwanie usterek

Usterka	Przyczyna	Usuwanie
Brak chłodzenia	Klimatyzator umieszczony w schowku nie jest ustawiony na chłodzenie.	➤ Należy ustawić klimatyzator umieszczony w środku na chłodzenie.
	Temperatura otoczenia przekracza 52 °C.	Klimatyzator umieszczony w schowku jest przeznaczony do pracy przy temperaturze otoczenia jedynie do 52 °C.
	Ustawiona temperatura jest wyższa niż temperatura pomieszczenia.	➤ Należy wybrać niższą temperaturę.
	Temperatura otoczenia jest niższa niż 16 °C.	Klimatyzator umieszczony w schowku jest przeznaczony do pracy przy temperaturze otoczenia jedynie od 16 °C.
	Izolacja cieplna jest uszkodzona.	➤ Należy zwrócić się do autoryzowanego warsztatu.
	Kompresor jest uszkodzony.	
	Niewystraczająca ilość czynnika chłodniczego.	
	Grzejnik wymiennika ciepła jest zabrudzony.	
	Dmuchawa zewnętrzna jest uszkodzona.	
Brak mocy grzewczej	Klimatyzator podławkowy nie jest ustawiony na nagrzewanie.	➤ Ustawić klimatyzator podławkowy na nagrzewanie.
	Temperatura otoczenia wynosi poniżej 0 °C.	Klimatyzator podławkowy jest przeznaczony do pracy w temperaturze otoczenia powyżej 0 °C.
	Ustawiona temperatura jest niższa niż temperatura pomieszczenia.	➤ Wybrać wyższą temperaturę.
	Temperatura otoczenia przekracza 31 °C.	Temperatura może być regulowana w zakresie od 16 °C do 31 °C.
	Izolacja cieplna jest uszkodzona.	➤ Zwrócić się do autoryzowanego warsztatu.
	Kompresor jest uszkodzony.	
	Niewystraczająca ilość czynnika chłodniczego.	
	Grzejnik wymiennika ciepła jest zabrudzony.	
	Dmuchawa zewnętrzna jest uszkodzona.	

Usterka	Przyczyna	Usuwanie
Mały strumień powietrza	Filtr powietrza jest zatkany.	➤ Należy wyczyścić filtr powietrza.
	Grzejnik wymiennika ciepła jest zabrudzony.	➤ Należy zwrócić się do autoryzowanego warsztatu.
	Dmuchawa wewnętrzna jest uszkodzona.	
Pojawienie się wody w pojeździe	Otwory odpływowe skondensowanej wody są zatkane.	➤ Należy oczyścić otwory odpływowe skondensowanej wody.
	Uszczelki są uszkodzone.	➤ Należy zwrócić się do autoryzowanego warsztatu.
Klimatyzator umieszczony w schowku nie włącza się.	Nie ma napięcia zasilającego (230 V~).	➤ Należy sprawdzić zasilanie.
	Napięcie jest zbyt niskie (poniżej 200 V~).	➤ Należy zwrócić się do autoryzowanego warsztatu.
	Przetwornik napięcia jest uszkodzony.	
	Izolacja cieplna jest uszkodzona.	
	Zabezpieczenie elektryczne zasilania jest niewystarczające.	➤ Należy sprawdzić zabezpieczenie elektryczne zasilania.
Działanie klimatyzatora umieszczonego w schowku zostaje zatrzymane.	Filtr powietrza jest zatkany.	➤ Należy wyczyścić filtr powietrza.
	Napięcie jest zbyt niskie (poniżej 200 V~).	➤ Należy zwrócić się do autoryzowanego warsztatu.
	Przetwornik napięcia jest uszkodzony.	
	Izolacja cieplna jest uszkodzona.	
	Dmuchawa kondensatora jest uszkodzona.	
	Grzejnik wymiennika ciepła jest zabrudzony.	
	Dmuchawa zewnętrzna jest uszkodzona.	
Klimatyzator umieszczony w schowku nie włącza się.	Jeden z czujników temperatury jest uszkodzony.	➤ Należy zwrócić się do autoryzowanego warsztatu.

9 Utylizacja

Przepisy dotyczące ochrony środowiska i prawidłowej utylizacji

Wszystkie organizacje muszą stosować szereg środków w celu rozpoznawania, oceny i kontroli wpływu swojej działalności (produkcja, produkty, usługi, itp.) na środowisko.

Środki mające na celu rozpoznanie istotnych skutków dla środowiska muszą uwzględniać następujące czynniki:

- wykorzystanie surowców i naturalnych zasobów
- emisja do atmosfery
- wycieki cieczy
- utylizacja i recykling
- skażenie gleby

Aby zminimalizować skutki dla środowiska producent przedstawia szereg wskazówek, których musi przestrzegać każdy, kto ma styczność z urządzeniem w okresie jego użytkowania.

- Wszystkie materiały opakowaniowe muszą zostać zutyliczowane (najlepiej zrecyklingowane) zgodnie z przepisami kraju, w którym odbywa się utylizacja.
- Wszystkie części produktu muszą zostać zutyliczowane (najlepiej zrecyklingowane) zgodnie z przepisami kraju, w którym odbywa się utylizacja.
- W celu odpowiedniej utylizacji należy przekazać urządzenie do autoryzowanego centrum recyklingu, aby zagwarantować, że wszystkie części nadające się do recyklingu zostaną ponownie wykorzystane a pozostałe materiały zostaną właściwie usunięte.
- Podczas instalacji należy zadbać o wystarczającą wentylację pomieszczenia, aby zapobiec powstawaniu stęchłego powietrza, które jest szkodliwe dla zdrowia użytkownika.
- Podczas eksploatacji i konserwacji należy zapewnić prawidłową utylizację wszystkich szkodliwych odpadów (olej, smar itp.).
- Dbać o niskie natężenie hałasu.

Dodatkowe informacje dotyczące prawidłowego demontażu naszych produktów znajdują się w instrukcjach dotyczących recyklingu na stronie www.dometic.com.

- Opakowanie należy wyrzucić do odpowiedniego pojemnika na śmieci do recyklingu.
- Podczas eksploatacji, napraw i prac konserwacyjnych należy uważać, aby nie uszkodzić obiegu chłodzenia i nie doprowadzić do wycieku czynnika chłodniczego. Działa on jak gaz cieplarniany i nie powinien dostać się do środowiska.



Jeśli produkt nie będzie już dłużej eksploatowany, należy dowiedzieć się w najbliższym zakładzie recyklingu lub w specjalistycznym sklepie, jakie są obowiązujące przepisy dotyczące utylizacji.

- Produkt należy utylizować wyłącznie zgodnie z obowiązującymi przepisami dotyczącymi recyklingu i utylizacji, w autoryzowanym zakładzie usuwania odpadów.



Chroń środowisko naturalne!

Akumulatory i baterie nie zaliczają się do odpadów domowych. Uszkodzone akumulatory lub zużyte baterie należy przekazać do punktu sprzedaży lub punktu przyjmującego surowce wtórne.

10 Dane techniczne

	FreshWell 3000
Nr produktu:	9105306670
Wydajność chłodzenia zgodnie z ISO 5151:	2700 W
Moc grzejna:	3000 W (2500 W + 500 W dodatkowy element grzejny)
Napięcie znamionowe wejściowe:	230 V~ / 50 Hz
Pobór prądu:	Chłodzenie: 4,3 A Grzanie: 4,8 A
Wymagany bezpiecznik:	5 A
Zakres temperatury roboczej:	od 0 °C do +52 °C
Czynnik chłodniczy:	R-410A
Ilość czynnika chłodzącego:	0,6 kg

	FreshWell 3000
Ekwiwalent CO ₂ :	1,2528 t
Potencjal tworzenia efektu cieplarnianego (GWP):	2088
Dodatkowy element grzewczy	500 W
Dmuchawa:	3 poziomy nawiewu 1 tryb automatyczny
Stopień ochrony:	IP X5
Maks. objętość pojazdu (z izolowanymi ścianami):	30 m ³
Wymiary D x Sz x W (mm):	628 x 400 x 286
Waga:	ok. 21 kg
Kontrola/Certyfikat:	CE

Zawiera fluorowane gazy cieplarniane

Hermetycznie zamknięte urządzenie

Pred montážou a uvedením do prevádzky si prosím pozorne prečítajte tento návod a odložte si ho. V prípade odovzdania výrobku ďalšiemu používateľovi mu odovzdajte aj tento návod.

Obsah

1	Vysvetlenie symbolov	205
2	Pokyny týkajúce sa bezpečnosti a montáže	206
3	Cieľová skupina tohto návodu	208
4	Obsah dodávky	208
5	Používanie v súlade s určeným účelom použitia	208
6	Označovacie štítky	209
7	Montáž.	209
8	Odstránenie poruchy	214
9	Likvidácia	216
10	Technické údaje	217

1 Vysvetlenie symbolov



VÝSTRAHA!

Bezpečnostný pokyn: Nerešpektovanie môže viesť k smrti alebo k ťažkému zraneniu.



UPOZORNENIE!

Bezpečnostný pokyn: Nerešpektovanie môže viesť k zraneniam.



POZOR!

Nerešpektovanie môže viesť k materiálnym škodám a môže ovplyvniť funkciu zariadenia.



POZNÁMKA

Doplňujúce informácie k obsluhu výrobku.

2 Pokyny týkajúce sa bezpečnosti a montáže

Dodržiavajte bezpečnostné pokyny a podmienky predpísané výrobcom vozidla a združením automobilového priemyslu!

Výrobca v nasledujúcich prípadoch nepreberá za škody žiadnu záruku:

- Poškodenia produktu mechanickými vplyvmi a prepätiami
- Zmeny produktu bez vyjadreného povolenia výrobcu
- Použitie na iné účely ako sú účely uvedené v návode

Dodržiavajte nasledovné základné bezpečnostné pokyny pri používaní elektrických zariadení na ochranu pred:

- úrazom elektrickým prúdom,
- nebezpečenstvom požiaru,
- poraneniami.

2.1 Manipulácia s prístrojom



VÝSTRAHA!

- Montáž a opravy klimatizačného zariadenia smú uskutočňovať len odborníci s príslušnou kvalifikáciou, ktorí sú oboznámení s rizikami s tým spojenými, príp. s príslušnými predpismi. Neodbornými opravami môžu vzniknúť značné nebezpečenstvá. V prípade opravy sa obráťte na servisné centrum vo vašej krajine (adresy na opačnej strane).
- **Elektrické prístroje nie sú hračkou pre deti!**
Deti nedokážu správne posúdiť riziká, ktoré predstavujú elektrické prístroje. Nenechávajte deti, aby používali elektrické prístroje bez dozoru.
- Osoby, ktoré z dôvodu ich fyzických, zmyslových alebo duševných schopností alebo ich neskúsenosti alebo neznalosti nie sú schopné bezpečne používať toto zariadenie, by ho nemali používať bez dozoru alebo poučenia zodpovednou osobou.
- V prípade požiaru použite len povolené hasiace prostriedky. Na hasenie nepoužívajte vodu.

**UPOZORNENIE!**

- Klimatizačné zariadenie do úložného priestoru musí byť nainštalované bezpečne, aby nespadlo.
- Klimatizačné zariadenie používajte len vtedy, keď kryt a vedenia nie sú poškodené.
- Nepoužívajte klimatizačné zariadenie v blízkosti zápalných tekutín a plynov.
- Dbajte na to, aby sa horľavé predmety neuskladňovali, príp. nemontovali v oblasti výstupu vzduchu. Dodržiavajte minimálnu vzdialenosť 50 cm.
- Nesiahajte do vetracích otvorov a do zariadenia nevsúvajte žiadne cudzie predmety.

**POZOR!**

- Prístroj používajte len v súlade s jeho určeným používaním.
- Klimatizačné zariadenie nie je určené na prevádzku v poľnohospodárskych a stavebných strojoch.
- Na prístroji neuskutočňujte žiadne zmeny alebo prestavby.
- Ak sa v obehú chladiacej kvapaliny zariadenia vyskytnú poruchy, dajte zariadenie preskúšať a riadne opraviť v špecializovanom servise. V žiadnom prípade sa chladiaci prostriedok nesmie voľne vypúšťať do atmosféry.

2.2 Manipulácia s elektrickými vedeniami

**VÝSTRAHA!**

- Elektrické pripojenie smie vykonať len špecializovaná firma (napr. v Nemecku VDE 0100, časť 721).

**UPOZORNENIE!**

- Vedenia upevnite a položte tak, aby nehrozilo nebezpečenstvo zakopnutia a aby bolo vylúčené poškodenie kábla.

**POZOR!**

- Ak sa vedenia musia viesť cez steny s ostrými hranami, použite ochranné rúrky, príp. priechodky.
- Na elektricky vodivé materiály (kovy) neumiestňujte voľné alebo ostro lomené vedenia.
- Neťahajte vedenia.

3 Cieľová skupina tohto návodu

Tento návod je adresovaný odborným pracovníkom dielní, ktorí sú oboznámení s príslušnými smernicami a bezpečnostnými opatreniami.

4 Obsah dodávky

Č. na obr. 1	Počet	Označenie
1	1	Klimatizačné zariadenie do úložného priestoru
2	1	Diaľkové ovládanie
3	1	Prijímač
4	4	Vzduchový filter
5	2	Upevňovací uholník
6	4	Držiak
7	14	Upevňovacia skrutka
8	2	Odtoková rúra
9	2	Vonkajšia mriežka
-	1	Inštaláčna šablóna

5 Používanie v súlade s určeným účelom použitia

Klimatizácie pre odkladacie priestory Dometic FreshWell 3000 (č. výr. 9105306670) je vhodná výlučne pre obytné vozidlá, karavany a ostatné vozidlá s obytnými miestnosťami. Je **nevhodná** pre domy alebo byty.

Klimatizačné zariadenie do úložného priestoru **nie** je vhodné na inštaláciu do stavebných, poľnohospodárskych alebo podobných pracovných strojov. Pri silnom vibračnom účinku nie je zaručená jeho riadna činnosť.

Funkcia FreshWell 3000 je garantovaná pri teplotách v rozsahu 0 °C až 52 °C.



POZNÁMKA

Ďalšie informácie o klimatizačnom zariadení, ako technický opis alebo obsluha, nájdete v návode na obsluhu.

6 Označovacie štítky

Na klimatizačnom zariadení Dometic FreshWell sú umiestnené označovacie štítky. Tieto označovacie štítky informujú používateľa a inštalatéra o špecifikáciách zariadenia.

7 Montáž



UPOZORNENIE! Nebezpečenstvo poranenia!

Montáž klimatizačného zariadenia smú vykonávať len odborné firmy s príslušným osvedčením. Nasledovné informácie sú adresované odborným pracovníkom, ktorí sú oboznámení s príslušnými smernicami a bezpečnostnými opatreniami.

7.1 Pokyny na montáž

Pred montážou klimatizačného zariadenia si kompletne prečítajte montážny návod.

Pri montáži klimatizačného zariadenia rešpektujte nasledovné tipy a pokyny:



NEBZPEČENSTVO! Ohrozenie života následkom zasiahnutia elektrickým prúdom!

Pri prácach na klimatizačnom zariadení prerušte všetky privody elektrického prúdu.



UPOZORNENIE! Nebezpečenstvo poranenia!

- Nesprávna montáž klimatizačného zariadenia môže viesť k neopraviteľným škodám zariadenia a nepriaznivo ovplyvniť bezpečnosť používateľa.
- Keď sa klimatizačné zariadenie nenainštaluje podľa montážneho návodu, výrobca neručí za prevádzkové poruchy a bezpečnosť klimatizačného zariadenia, zvlášť za ublíženia na zdraví a/alebo materiálne škody.
- Pri všetkých prácach používajte predpísaný ochranný odev (napr. ochranné okuliare, ochranné rukavice).



POZOR! Nebezpečenstvo poškodenia!

Pri montáži klimatizačného zariadenia zohľadnite vždy statiku vozidla a dbajte na utesnenie všetkých otvorov, ktoré vznikli pri montáži.

Pokyny na prepravu

- Klimatizačné zariadenie prenášajte vždy vo dvojici.
- Pri premiestňovaní klimatizačné zariadenie vždy nadvihnite, neťahajte ho po podlahe (obr. **2 A**).
- Na nadvihnutie nepoužívajte zadné vetracie otvory (obr. **2 B**).

Pokyny týkajúce sa miesta montáže

- Na inštaláciu klimatizačného zariadenia musia byť otvory umiestnené na podlahe. Tieto otvory musia byť ľahko prístupné a nesmú byť zakryté súčiastkami vozidla.
- Pred montážou klimatizačného zariadenia preverte, či by sa jeho montážou príp. nepoškodili jednotlivé komponenty vozidla (napr. svetlá, skrine, dvere).
- Dbajte na to, aby sa horľavé predmety neuskladňovali, príp. nemontovali v oblasti výstupu vzduchu. Mala by sa dodržiavať vzdialenosť 50 cm.
- Sklon montážnej plochy nesmie byť väčší ako 10°.
- Z bezpečnostných dôvodov dávajte pozor pri montáži klimatizačného zariadenia (pri vŕtaní, skrútkovaní atď.) na priebeh existujúcich, predovšetkým neviditeľných zväzkov káblov, vedení a iných komponentov, ktoré sa nachádzajú v oblasti montáže!
- Aby bola úprava vzduchu vozidla optimálna, klimatizačné zariadenie nainštalujte podľa možnosti do stredu priečinka alebo podobného zariadenia.
- Vyberte miesto, ktoré je pre údržbu a montáž a demontáž zariadenia ľahko prístupné.
- Položte inštaláčnu šablónu do zvoleného priečinka a skontrolujte, či je dostatok miesta na otvory na podlahe.
- Aby sa minimalizoval prenos zvuku a vibrácií počas prevádzky, klimatizačné zariadenie by malo byť približne 30 mm od stien alebo nábytku.
- Prístroj sa musí nainštalovať na podlahu.
- Dodržte vzdialenosť 200 mm medzi čelom zariadenia a bočnými stenami priečinka, aby sa uľahčila výmena filtra.
- Pri montáži zariadenia v priečinku vozidla (napr. dvojité dno) sa musí vzduch, ktorý sa bude upravovať, nasávať zvnútra vozidla.
- Nasávanie vonkajšieho vzduchu môže výrazne znížiť výkon zariadenia.

Pokyny týkajúce sa elektrického zariadenia (pozri obr. 13)

Č. na obr. 13	Označenie
1	Motor ventilátora (vnútorný)
2	Motor ventilátora (vonkajší)
3	Kondenzátor
4	Kompresor
5	Snímač teploty
6	Základná doska
7	Základná doska – displej
8	Rozhranie PCB
9	Mäkký štart
10	Ventil
11	Odpor

- Elektrické pripojenie klimatizačného zariadenia dajte uskutočniť len odborníkovi.
- Porovnajte údaje o napätí na typovom štítku s existujúcim zdrojom napätia.
- Nepokladajte uvoľnené alebo ostro lomené vedenia k elektricky vodivým materiálom (kovy).
- Zo strany montáže pripravte spínač všetkých pólov s minimálnou vzdialenosťou medzi kontaktmi 3 mm.

7.2 Vytvorenie otvorov**Pozri obr. 3**

- Vyznačte polohu a veľkosť otvoru pomocou šablóny, ktorá je súčasťou balenia (**A** a **B**).

Pozri obr. 4

- Vyrývajte rohy (**A**).
- Vyrežte dôkladne otvor na streche priamočiarou pílou alebo pod. (**B**).
Dbajte pritom na to, aby sa nepoškodili elektrické káble.
- Vyrývajte otvor na odtok kondenzátu s priemerom 32 mm (**C**).

Pozri obr. 5

- Označte miesta pre upevňovacie uholníky **(A)** a upevňovacie oblúky **(B)**.

7.3 Pripevnenie upevňovacích oblúkov a pásy**Pozri obr. 6**

- Upevnite štyri upevňovacie oblúky **(A)**.
- Pretiahnite popruhy cez upevňovacie oblúky **(B)**.
- Namontujte odtokové rúry pod klimatizáciu pre odkladacie priestory **(C)**.
- Upevnite klimatizačné zariadenie popruhmi **(D)**.

7.4 Pripevnenie upevňovacích uholníkov**Pozri obr. 7**

- Upevnite klimatizačné zariadenie obidvomi upevňovacími uholníkmi s tromi upevňovacími skrutkami.

7.5 Pripevnenie vonkajších mriežok**Pozri obr. 8**

- Pripevnite vonkajšie mriežky podľa obrázku pomocou skrutiek a podložiek, ktoré sú súčasťou dodávky.

7.6 Upevnenie prijímača**Pozri obr. 9**

- Do steny vyvrtajte otvor 50 mm.

Pozri obr. 10

- Preved'te kábel cez otvor ku klimatizačnému zariadeniu.
- Upevnite prijímač podľa znázornenia.

7.7 Uloženie prípojných vedení



NEBZPEČENSTVO! Ohrozenie života zasiahnutím elektrickým prúdom!

Pred začatím prác na elektricky ovládaných komponentoch zabezpečte, aby neboli pod napätím!

Klimatizačné zariadenie musí byť pripojené do elektrického obvodu, ktorý je schopný zabezpečovať potrebný prúd (pozri kap. „Technické údaje“ na strane 217).

- Zvoľte prierez vodiča podľa dĺžky vedenia:
 - Dĺžka < 7,5 m: 1,5 mm²
 - Dĺžka > 7,5 m: 2,5 mm²

Pozri obr. 11

- 4-pólový konektor prijímača zasuňte do IČ zásuvky klimatizačného zariadenia **(1)**.
- Zasuňte konektor 230 V~ **(2)** do zásuvky 230 V~.

7.8 Vedenie vzduchu

Pozri obr. 12

Vedenie vzduchu vytvorte kanálmi z bežne dostupných dielcov (**nie** sú súčasťou dodávky). Odporúča sa použiť lepenkové rúry pre klimatizačné zariadenia s vnútorným obložením z hliníka a vonkajším z PVC. Menovitý vnútorný priemer týchto rúr by mal byť 60 mm, vonkajší priemer 65 mm.

Vetracie rúry sa spoja tlakom pomocou kuželového otvoru na výstupe vzduchu.

Rúry sa pripoja k výstupu registra.

Na dosiahnutie optimálneho výkonu odporúčame:

- položiť vedenia vzduchu čo najkratšie a čo najrovnejšie
- obmedziť dĺžku rúry na maximálne 5 m
- nepoložiť rúry v blízkosti zdrojov tepla

Cirkulovaný vzduch sa nasáva mriežkou alebo inými otvormi s priemerom, ktorý je dimenzovaný na prúd vzduchu minimálne 300 cm². Otvor na cirkuláciu musí byť umiestnený v blízkosti zariadenia. Ak to nie je možné, vedeniu vzduchu nesmú prekážať predmety. V prípade potreby položte medzi otvor a zariadenie vzduchový kanál.

**POZNÁMKA**

Rúry zaizolujte vhodným izolačným materiálom (nie je súčasťou rozsahu dodávky), aby ste zabránili kondenzovaniu vody na rúrach.

Cirkulovaný vzduch sa musí odoberať z vnútorného priestoru vozidla, pri prívode vonkajšieho vzduchu sa môže znížiť výkon zariadenia.

8 Odstránenie poruchy

Porucha	Príčina	Odstránenie
Chýba chladiaci výkon.	Klimatizačné zariadenie nie je nastavené na chladenie.	➤ Nastavte klimatizačné zariadenie na chladenie.
	Teplota okolia je vyššia ako 52 °C.	Klimatizačné zariadenie je dimenzované len pre teplotu okolia nad 52 °C.
	Nastavená teplota je vyššia ako vnútorná teplota.	➤ Zvoľte nižšiu teplotu.
	Teplota okolia je nižšia ako 16 °C.	Klimatizačné zariadenie je dimenzované len pre teplotu okolia nad 16 °C.
	Teplná izolácia je chybná.	➤ Obráťte sa na autorizovaný servis.
	Kompresor je chybný.	
	Vedenie chladiaceho prostriedku je nedostatočné.	
	Register výmenníka tepla je znečistený.	
Vonkajší ventilátor je chybný.		

Porucha	Príčina	Odstránenie
Bez ohrievacieho výkonu	Klimatizácia pre odkladacie priestory nie je nastavená na vykurovanie.	➤ Nastavte klimatizáciu na chladenie.
	Teplota okolia je nižšia ako 0 °C.	Klimatizácia je dimenzovaná len pre teplotu okolia nad 0 °C.
	Nastavená teplota je nižšia ako vnútorná teplota.	➤ Zvoľte vyššiu teplotu.
	Teplota okolia je vyššia ako 31 °C.	Teplotu je možné nastaviť v rozsahu 16 °C až 31 °C.
	Tepelná izolácia je chybná.	➤ Obráťte sa na autorizovaný servis.
	Kompresor je chybný.	
	Vedenie chladiaceho prostriedku je nedostatočné.	
Zlý vetrací výkon	Register výmenníka tepla je znečistený.	➤ Register výmenníka tepla je znečistený.
	Vnútrotný ventilátor je chybný.	➤ Vyčistite vzduchový filter.
	Vonkajší ventilátor je chybný.	➤ Obráťte sa na autorizovaný servis.
Vnikanie vody do vozidla	Odtokové otvory pre kondenzovanú vodu sú upchaté.	➤ Vyčistite odtokové otvory pre kondenzovanú vodu.
	Tesnenia sú poškodené.	➤ Obráťte sa na autorizovaný servis.
Klimatizačné zariadenie sa nezapína.	Nie je prítomné napájacie napätie (230 V~).	➤ Skontrolujte napájanie napätím.
	Napätie je príliš nízke (pod 200 V~). Menič napätia je chybný.	➤ Obráťte sa na autorizovaný servis.
	Tepelná izolácia je chybná.	
	Elektrická poistka napájacieho napätia je slabá.	➤ Skontrolujte elektrickú poistku napájacieho napätia.
Klimatizačné zariadenie preruší prevádzku.	Vzduchový filter je upchatý.	➤ Vyčistite vzduchový filter.
	Napätie je príliš nízke (pod 200 V~). Menič napätia je chybný.	➤ Obráťte sa na autorizovaný servis.
	Tepelná izolácia je chybná.	
	Ventilátor kondenzátora je chybný.	
	Register výmenníka tepla je znečistený.	
	Vonkajší ventilátor je chybný.	

Porucha	Príčina	Odstránenie
Klimatizačné zariadenie sa nevypína.	Snímač teploty je chybný.	► Obráťte sa na autorizovaný servis.

9 Likvidácia

Predpisy ochrany životného prostredia a odborná likvidácia

Všetky organizácie musia uskutočniť celý rad opatrení, aby rozpoznali, posúdili a kontrolovali vplyv, ktorý majú ich aktivity (výroba, výrobky, servis atď.) na životné prostredie.

Potrebné opatrenia na rozpoznanie významných následkov pre životné prostredie musia zohľadňovať nasledovné faktory:

- využívanie surovín a prírodných zdrojov
- atmosferické emisie
- unikanie tekutín
- likvidácia a recyklácia
- kontaminácia pôdy

Aby sa následky pre životné prostredie minimalizovali, predstavuje výrobca celý rad indícií, ktoré musí zohľadniť každý, kto (je jedno z akého dôvodu) s prístrojom počas jeho životnosti prichádza do styku.

- Celý obalový materiál sa musí zlikvidovať (prioritne recyklovať) podľa zákonných predpisov krajiny, v ktorej sa likvidácia uskutoční.
- Všetky komponenty výrobku sa musia zlikvidovať (prioritne recyklovať) podľa zákonných predpisov krajiny, v ktorej sa likvidácia uskutoční.
- Správna likvidácia znamená, že sa prístroj musí odovzdať v autorizovanom recyklačnom stredisku, aby sa všetky recyklovateľné komponenty mohli zhodnotiť a aby so zvyšným materiálom zaobchádzalo v súlade s predpismi.
- Počas inštalácie zabezpečte, aby bol priestor dostatočne vetraný, aby nebol vzduch kontaminovaný, čo by mohlo mať nepriaznivý vplyv na zdravie obsluhy.
- Zabezpečte počas prevádzky a údržby, aby sa všetky odpadové produkty (olej, tuk atď.) zlikvidovali v súlade s predpismi.
- Udržiavajte hladinu hluku na nízkej úrovni, aby sa znížilo zaťaženie hlukom.

Ďalšie informácie o správnom odinštalovaní našich výrobkov nájdete v návodoch na recykláciu na www.dometic.com.

- Obalový materiál podľa možnosti odovzdajte do príslušného odpadu na recykláciu.
- Pri prevádzke, opravách a údržbe dbajte na to, aby sa chladiaci okruh nepoškodil a aby chladiaci prostriedok neunikal. Pôsobí ako skleníkový plyn a nemal by sa dostať do životného prostredia.



Keď výrobok definitívne vyradíte z prevádzky, informujte sa v najbližšom recyklačnom stredisku alebo u vášho špecializovaného predajcu o príslušných predpisoch týkajúcich sa likvidácie.

- Výrobok zlikvidujte podľa platných predpisov o recyklácii a likvidácii v autorizovanom podniku zaoberajúcom sa likvidáciou odpadu.



Chráňte životné prostredie!

Akumulátory a batérie nepatria do domového odpadu.

Poškodené akumulátory alebo spotrebované batérie odovzdajte priamo u predajcu alebo v zbernom mieste.

10 Technické údaje

	FreshWell 3000
Č. výrobku:	9105306670
Chladiaci výkon podľa ISO 5151:	2700 W
Vyhrievací výkon:	3000 W (2500 W + 500 W prídavný vykurovací element)
Vstupné menovité napätie:	230 V~ / 50 Hz
Odber prúdu:	Chladienie: 4,3 A Vykurovanie: 4,8 A
Potrebné poistka:	5 A
Rozsah prevádzkovej teploty:	0 °C až +52 °C
Chladiaci prostriedok:	R-410A
Množstvo chladiaceho prostriedku:	0,6 kg
Ekvivalent CO ₂ :	1,2528 t
Potenciál globálneho otepľovania (GWP):	2088

	FreshWell 3000
Prídavný vykurovací element:	500 W
Ventilátor:	3 stupne ventilácie 1 automatický režim
Trieda ochrany:	IP X5
Max. objem priestoru vozidla (s izolovanými stenami):	30 m ³
Rozmery D x Š x V (mm):	628 x 400 x 286
Hmotnosť:	cca 21 kg
Skúška/certifikát:	CE

Obsahuje fluórované skleníkové plyny

Hermeticky uzavreté zariadenie

Před zahájením instalace a uvedením do provozu si pečlivě přečtěte tento návod a uschovejte jej. V případě dalšího prodeje výrobku předejte návod novému uživateli.

Obsah

1	Vysvětlení symbolů	219
2	Bezpečnostní pokyny a pokyny k instalaci	220
3	Cílová skupina tohoto návodu	222
4	Obsah dodávky	222
5	Použití v souladu s určením	222
6	Štítky s označením	223
7	Montáž	223
8	Odstraňování poruch a závad	228
9	Likvidace	230
10	Technické údaje	231

1 Vysvětlení symbolů



VÝSTRAHA!

Bezpečnostní pokyny: Následkem nedodržení pokynů mohou být smrtelná nebo vážná zranění.



UPOZORNĚNÍ!

Bezpečnostní pokyny: Následkem nedodržení mohou být úrazy.



POZOR!

Nedodržení pokynů může mít za následek hmotné škody a narušení funkce výrobku.



POZNÁMKA

Doplňující informace týkající se obsluhy výrobku.

2 Bezpečnostní pokyny a pokyny k instalaci

Dodržujte předepsané bezpečnostní pokyny a předpisy vydané výrobcem vozidla a autoservisem!

V následujících případech nepřebírá výrobce žádné záruky za škody:

- Poškození výrobku působením mechanických vlivů a přepětí
- Změna výrobku bez výslovného souhlasu výrobce
- Použití k jiným účelům, než jsou popsány v tomto návodu

Při použití elektrických přístrojů dodržujte následující zásadní bezpečnostní opatření k ochraně před následujícími nebezpečími:

- zasažení elektrickým proudem
- nebezpečí požáru
- úrazy

2.1 Manipulace s přístrojem



VÝSTRAHA!

- Montáž a opravy klimatizace směřjí provádět pouze odborníci, kteří jsou seznámeni s hrozícími nebezpečími a s příslušnými předpisy. Nesprávně provedené opravy mohou být zdrojem značných rizik. V případě oprav kontaktujte servisní středisko ve vaší zemi (adresy jsou uvedeny na zadní straně).
- **Elektrické přístroje nejsou hračky pro děti!** Děti nedokáží správně posoudit nebezpečí, která jsou spojena s elektrickými přístroji. Nenechávejte děti bez dozoru používat elektrické přístroje.
- Osoby, které z důvodu svých fyzických, sensorických nebo duševních schopností, nebo své nezkušenosti nebo neznalosti nejsou schopny bezpečně používat výrobek, nesmějí tento přístroj používat bez dohledu odpovědné osoby nebo bez jejího poučení.
- V případě požáru používejte pouze schválené hasicí prostředky. Nepoužívejte k hašení vodu.

**UPOZORNĚNÍ!**

- Klimatizace musí být bezpečně nainstalována tak, aby nemohla spadnout.
- Používejte klimatizaci pouze za předpokladu, že jsou kryt přístroje a rozvody nepoškozené!
- Nepoužívejte klimatizaci v blízkosti hořlavých kapalin a plynů.
- Pamatujte, že v oblasti výstupu vzduchu nesmějí být uloženy ani namontovány žádné hořlavé předměty. Vzdálenost musí být minimálně 50 cm.
- Nesahejte do otvorů pro výstup vzduchu a nezavádějte do zařízení cizí předměty.

**POZOR!**

- Používejte přístroj pouze v souladu s jeho určením.
- Klimatizace není určena k provozu na zemědělských a stavebních strojích.
- Neprovádějte žádné úpravy nebo změny přístroje.
- Pokud dojde k závadě v okruhu chladicího média na zařízení, musí zařízení zkontrolovat specializovaná firma a řádně je opravit. Chladicí médium nesmí být v žádném případě vypuštěno do volné atmosféry.

2.2 Manipulace s elektrickými rozvody

**VÝSTRAHA!**

- Připojení ke zdroji elektrického proudu smí provést pouze specializovaná provozovna (v Německu např. VDE 0100, část 721).

**UPOZORNĚNÍ!**

- Upevněte a instalujte rozvody tak, aby nehrozilo nebezpečí zakopnutí a nemohlo dojít k poškození kabelů.

**POZOR!**

- Pokud musejí být rozvody vedeny kolem stěn s ostrými úhly, použijte chráničky nebo průchodky.
- Nepokládejte volné nebo ostře zalomené vodiče na elektricky vodivé materiály (kov).
- Netahejte za rozvody.

3 Cílová skupina tohoto návodu

Tento návod je určen pracovníkům servisů, kteří jsou seznámeni s příslušnými platnými směnicemi a bezpečnostními předpisy.

4 Obsah dodávky

Č. na obr. 1	Počet	Název
1	1	Klimatizace do zavazadlového prostoru
2	1	Dálkový ovladač
3	1	Přijímač
4	4	Vzduchový filtr
5	2	Upevňovací úhelník
6	4	Upevňovací třmen
7	14	Upevňovací šroub
8	2	Odtoková trubka
9	2	Vnější mřížka
–	1	Instalační šablona

5 Použití v souladu s určením

Klimatizace do úložných prostor Dometic FreshWell 3000 (výr. č. 9105306670) je vhodná výhradně do obytných vozů, karavanů a jiných vozidel s obytnými prostory. **Není** vhodná do domů nebo bytů.

Klimatizace **není** určena k instalaci do stavebních, zemědělských nebo jiných pracovních strojů. V případě příliš silných vibrací nelze zaručit řádnou funkci.

Funkce klimatizace FreshWell 3000 je zaručena pro teploty v rozmezí 0 °C až 52 °C.



POZNÁMKA

Další informace o klimatizaci, jako jsou technický popis nebo obsluha, naleznete v návodu k obsluze.

6 Štítky s označením

Na klimatizaci Dometic FreshWell jsou umístěny štítky s označením. Tyto štítky s označením informují uživatele a instalatéra o specifikacích přístroje.

7 Montáž



UPOZORNĚNÍ! Nebezpečí úrazu!

Montáž klimatizace smí provést výhradně specializovaná firma. Následující informace jsou určeny odborníkům, kteří jsou seznámeni s příslušnými platnými směrniciemi a bezpečnostními předpisy.

7.1 Pokyny k montáži

Před zahájením montáže klimatizace si musíte přečíst celý tento návod k montáži.

Při montáži klimatizace musíte dodržovat následující rady a pokyny:



NEBEZPEČÍ! Nebezpečí života úrazem elektrickým proudem!

Při práci na klimatizaci odpojte veškerá napájení elektrickým proudem.



UPOZORNĚNÍ! Nebezpečí úrazu!

- Nesprávně provedená montáž klimatizace může mít za následek nevratné poškození přístroje a ohrožení bezpečnosti uživatele.
- Pokud nebude klimatizace nainstalována v souladu s tímto návodem k montáži, nepřebírá výrobce žádné záruky jak za poruchy v provozu, tak za bezpečnost klimatizace, a především za úrazy osob a za hmotné škody.
- Při všech činnostech používejte předepsané ochranné oděvy (např. ochranné brýle, ochranné rukavice).



POZOR! Nebezpečí poškození!

Při instalaci klimatizace vždy pamatujte na statiku vozidla a na utěsnění všech otvorů, které jsou nezbytné k provedení montáže.

Přepravní pokyny

- Klimatizaci vždy přenášejte ve dvou.
- Při přemísťování klimatizace musíte zařízení vždy zvednout, nikdy je netahejte po podlaze (obr. **2 A**).
- Nepoužívejte ke zvedání vzduchové otvory (obr. **2 B**).

Pokyny k místu montáže

- K instalaci klimatizace do zavazadlového prostoru musíte vyvrtat do podlahy otvory. Tyto otvory musejí být snadno přístupné a nesmějí být zakryty konstrukčními součástmi vozidla.
- Před montáží klimatizace zkontrolujte, zda nemůže dojít následkem instalace klimatizace k případnému poškození součástí vozidla (např. reflektory, skříňe, dveře).
- Pamatujte, že v oblasti výstupu vzduchu nesmějí být uloženy ani namontovány žádné hořlavé předměty. Vzdálenost musí být minimálně 50 cm.
- Sklon montážní plochy v místě montáže nesmí být větší než 10°.
- Z bezpečnostních důvodů pamatujte při instalaci klimatizace (při vrtání, šroubování apod.) na umístění stávajících, a především pak skrytých kabelů, rozvodů a dalších součástí, které mohou být v místě montáže!
- Instalujte klimatizace z důvodu optimálního výkonu při klimatizaci vozidla pokud možno doprostřed do přihrádky nebo do podobného prostoru.
- Vyberte místo, které je dobře přístupné k provedení údržby a vestavby a demontáže přístroje.
- Položte instalační šablonu do vybrané přihrádky a zkontrolujte dostupné místo pro otvory v podlaze.
- Z důvodu minimalizace přenosu hlučnosti a vibrací za provozu musíte klimatizaci umístit tak, aby byla zachována minimální vzdálenost 30 mm od stěn nebo vybavení.
- Přístroj musíte instalovat na podlahu.
- Mezi čelní stranou přístroj a bočnicemi přihrádky nechejte vzdálenost 200 mm, tím si usnadníte výměnu filtru.
- Při montáži přístroje do přihrádky mimo vozidlo (např. dvojitá podlaha) musí být nasáván upravovaný vzduch zevnitř vozu.
- Sání venkovního vzduchu může výrazně omezit výkon zařízení.

Pokyny k elektrickým rozvodům (viz obr. 13)

Č. na obr. 13	Název
1	Motor ventilátoru (vnitřní)
2	Motor ventilátoru (vnější)
3	Kondenzátor
4	Kompresor
5	Snímač teploty
6	Deska
7	Displej na desce
8	Rozhraní PCB
9	Softstart
10	Ventil
11	Odpor

- Nechejte provést elektrické připojení klimatizace výhradně odborníka.
- Porovnejte údaj o napětí na typovém štítku se stávajícím zdrojem napájení.
- Nepokládejte rozvody volně nebo ostře zalomené na elektricky vodivé materiály (kov).
- V místě montáže instalujte odpojovač všech pólů s rozpojením kontaktu na vzdálenost min. 3 mm.

7.2 Vyvrtní otvorů

Viz obr. 3

- Zakreslete umístění a velikost otvorů pomocí šablony, která je součástí balení (**A** a **B**).

Viz obr. 4

- Vyvrtejte rohy (**A**).
- Vyřízněte pečlivě otvor ve střeše přímočarou pilou apod. (**B**).
Dávejte přitom pozor, aby nedošlo k poškození elektrických kabelů.
- Vyvrtejte otvory k odvodu kondenzátu o průměru 32 mm (**C**).

Viz obr. 5

- Vyznačte polohu pro upevňovací úhelníky **(A)** a upevňovací třmeny **(B)**.

7.3 Upevnění upevňovacích třmenů a popruhů

Viz obr. 6

- Upevněte čtyři upevňovací třmeny **(A)**.
- Provlékněte upevňovacími třmeny **(B)** popruhy.
- Odtokové trubky namontujte pod klimatizaci do úložných prostor **(C)**.
- Upevněte klimatizaci pomocí popruhů **(D)**.

7.4 Upevnění upevňovacích úhelníků

Viz obr. 7

- Upevněte klimatizaci pomocí obou upevňovacích úhelníků a příslušných tří upevňovacích šroubů tak, jak je zobrazeno.

7.5 Upevnění vnější mřížky

Viz obr. 8

- Vnější mřížku upevněte podle vyobrazení pomocí šroubů a podložek, které jsou součástí dodávky.

7.6 Upevnění přijímače

Viz obr. 9

- Vyvrtejte do stěny otvor 50 mm.

Viz obr. 10

- Ved'te kabel otvorem do klimatizace.
- Upevněte přijímač tak, jak je uvedeno.

7.7 Pokládka rozvodů



NEBEZPEČÍ! Ohrožení života elektrickým proudem!

Před zahájením prací na elektricky poháněných součástech zajistěte, aby nebylo připojeno žádné napětí!

Klimatizace musí být napojena na proudový obvod, který je konstruován tak, aby dodával potřebný proud (viz kap. „Technické údaje“ na strani 231).

- ▶ Vyberte průřez vodiče v souladu s jeho délkou:
 - Délka < 7,5 m: 1,5 mm²
 - Délka > 7,5 m: 2,5 mm²

Viz obr. 11

- ▶ Zapojte 4pólovou zástrčku přijímače do zdířky infračerveného systému klimatizace (1).
- ▶ Zapojte zástrčku 230 V \equiv (2) do zásuvky 230 V \equiv .

7.8 Vedení vzduchu

Viz obr. 12

Veďte vzduch kanálky z běžných součástí (**není** součástí dodávky). Doporučujeme použít lepenkovou roli u klimatizací s vnitřním obložení z hliníku a vnějším obložení z PVC. Jmenovitý vnitřní průměr této trubice musí být 60 mm, vnější průměr 65 mm.

Větrací trubice jsou spojeny tlakem pomocí kuželového otvoru na výstupu vzduchu.

Trubky se připojí na výstupu registru.

K dosažení optimálních výkonů doporučujeme:

- instalujte co nejkratší vzduchové rozvody tak, aby byly co nejrovnější
- omezte délku trubek na maximálně 5 m
- neinstalujte potrubí v blízkosti tepelných zdrojů

Okolní vzduch je nasáván přes mřížku nebo jiné otvory o průřezu, který je dimenzován pro proud vzduchu minimálně 300 cm². Otvory přívodu okolního vzduchu musejí být umístěny v blízkosti zařízení. Pokud to není možné, nesmí být rozvod vzduchu omezován žádnými předměty. Instalujte případně mezi otvor a přístroj vzduchový kanál.

**POZNÁMKA**

Trubky izolujte vhodným izolačním materiálem (není součástí dodávky), aby se zabránilo kondenzaci na trubkách.

Okolní vzduch musí být nasáván z vnitřního prostoru vozidla. V případě přívodu venkovního vzduchu může dojít k výraznému snížení výkonu přístroje.

8 Odstraňování poruch a závad

Závada	Příčina	Odstranění
Nulový chladicí výkon	Klimatizace není nastavena na chlazení.	➤ Nastavte klimatizaci na režim chlazení.
	Okolní teplota je vyšší než 52 °C.	Klimatizace je konstruována pouze na okolní teplotu do 52 °C.
	Nastavená teplota je vyšší než teplota v prostoru.	➤ Nastavte nižší teplotu.
	Okolní teplota je nižší než 16 °C.	Klimatizace je konstruována pouze na okolní teplotu od 16 °C.
	Vadná tepelná pojistka.	➤ Kontaktujte autorizovaný odborný servis.
	Vadný kompresor.	
	Nedostatečná náplň chladiva v klimatizaci.	
Znečištěný registr výměníku tepla.		
Vadný vnější ventilátor.		

Závada	Příčina	Odstranění
Chybí topný výkon	Klimatizace není nastavena na topení.	➤ Nastavte klimatizaci na režim topení.
	Teplota prostředí klesla pod 0 °C.	Klimatizace je konstruována pouze na okolní teplotu od 0 °C.
	Nastavená teplota je nižší než teplota v prostoru.	➤ Nastavte vyšší teplotu.
	Okolní teplota je vyšší než 31 °C.	Teplotu lze nastavit v rozmezí 16 °C a 31 °C.
	Vadná tepelná pojistka.	➤ Kontaktujte autorizovaný odborný servis.
	Vadný kompresor.	
	Nedostatečná náplň chladiva v klimatizaci.	
Znečištěný registr výměníku tepla.		
Vadný vnější ventilátor.		
Špatná vzduchová ventilace	Ucpaný vzduchový filtr.	➤ Vyčistěte vzduchový filtr.
	Znečištěný registr výměníku tepla.	➤ Kontaktujte autorizovaný odborný servis.
	Vadný vnitřní ventilátor.	
Do vozidla teče voda	Otvory pro odtok kondenzátu jsou ucpané.	➤ Vyčistěte otvory pro odtok kondenzátu.
	Poškozené těsnění.	➤ Kontaktujte autorizovaný odborný servis.
Klimatizaci nelze zapnout	Chybí napájecí napětí (230 V $\overline{=}$).	➤ Zkontrolujte napájecí napětí.
	Napětí je příliš nízké (nižší než 200 V \sim). Vadný měnič napětí.	➤ Kontaktujte autorizovaný odborný servis.
	Vadná tepelná pojistka.	
	Příliš slabé elektrické pojistky napájecího napětí.	➤ Zkontrolujte pojistky napájecího napětí.
Klimatizace přerušuje provoz	Ucpaný vzduchový filtr.	➤ Vyčistěte vzduchový filtr.
	Napětí je příliš nízké (nižší než 200 V \sim). Vadný měnič napětí.	➤ Kontaktujte autorizovaný odborný servis.
	Vadná tepelná pojistka.	
	Poškozený ventilátor kondenzátoru.	
	Znečištěný registr výměníku tepla.	
	Vadný vnější ventilátor.	

Závada	Příčina	Odstranění
Klimatizaci nelze vypnout	Jedno z teplotních čidel je vadné.	► Kontaktujte autorizovaný odborný servis.

9 Likvidace

Předpisy k ochraně životního prostředí a odborná likvidace

Všechny organizace musejí dodržovat řadu opatření, která umožňují rozpoznat, posoudit a kontrolovat vliv jejich aktivit (výroba, výrobky, služby apod.) na životní prostředí.

Dodržovaná opatření k rozpoznání závažných vlivů na životní prostředí musejí vzít v úvahu následující faktory:

- používání surovin a přírodních zdrojů
- emise do atmosféry
- únik kapalin
- likvidace odpadů a recyklace
- kontaminace půdy

Z důvodu minimalizace vlivů na životní prostředí zavede výrobce na základě toho řadu pokynů, které musejí dodržovat všichni, kteří (z jakéhokoliv důvodu) jsou v interakci s přístrojem během celé jeho životnosti.

- Kompletní obalový materiál musí být zlikvidován (nejlépe recyklován) v souladu s legislativními předpisy země, ve které likvidace probíhá.
- Všechny součásti výrobku musejí být zlikvidovány (nejlépe recyklovány) v souladu s legislativními předpisy země, ve které likvidace probíhá.
- Z důvodu správné likvidace musí být přístroj předán autorizovanému recyklačnímu centru tak, aby bylo zajištěno, že budou všechny recyklovatelné součásti znovu použity a se zbytkovým materiálem bude správně naloženo.
- Během instalace zajistěte dostatečné větrání prostoru tak, aby nemohlo dojít ke znečištění vzduchu, které by mohlo být škodlivé pro zdraví obsluhy.
- Během provozu a údržby zajistěte, aby byly všechny škodlivé odpadní látky (oleje, tuky apod.) řádně a správně likvidovány.
- Z důvodu snížení zatížení hlučností udržujte hladinu hluku na co nejnižší úrovni.

Další informace o správném odinstalování našich výrobků naleznete v návodech k recyklaci na stránkách www.dometic.com.

- Obalový materiál likvidujte v odpadu určeném k recyklaci.
- Za provozu a během oprav a údržby zajistěte, aby nedošlo k poškození okruhu a k úniku chladicího média. Médium má účinky skleníkového plynu a nesmí se dostat do životního prostředí.



Jakmile výrobek zcela vyřadíte z provozu, informujte se v příslušných recyklačních centrech nebo u specializovaného prodejce o příslušných předpisech o likvidaci odpadu.

- Likvidujte výrobek v souladu s platnými předpisy o recyklaci a likvidaci odpadu nebo v souladu s předpisy a likvidaci odpadu platnými u autorizované společnosti, zabývající se likvidací odpadů.



Chraňte životní prostředí!

Akumulátory a baterie nepatří do domovního odpadu.

Odevzdejte vadné akumulátory nebo vybité baterie prodejci nebo na sběrném místě.

10 Technické údaje

	FreshWell 3000
Č. výr.:	9105306670
Chladicí výkon podle ISO 5151:	2700 W
Topný výkon:	3000 W (2500 W + 500 W přídavné topné těleso)
Jmenovité vstupní napětí:	230 V~/50 Hz
Příkon proudu:	Chlazení: 4,3 A Topení: 4,8 A
Potřebná pojistka:	5 A
Rozsah provozních teplot:	0 °C až +52 °C
Chladicí médium:	R-410A
Množství chladicího prostředku:	0,6 kg
Ekvivalent CO ₂ :	1,2528 t

		FreshWell 3000
Potenciál skleníkových plynů (GWP):		2088
Přídavné topné těleso:		500 W
Ventilátor:		3 stupně výkonu 1 automatický režim
Krytí:		IP X5
Max. objem prostoru ve vozidle (s izolovanými stěnami):		30 m ³
Rozměry D x Š x V (mm):		628 x 400 x 286
Hmotnost:		cca 21 kg
Kontrola/certifikát:		CE

Obsahuje fluorované skleníkové plyny

Hermeticky uzavřeným zařízením

Beépítés és üzembe vétel előtt gondosan olvassa el és őrizze meg ezt a használati útmutatót. Ha a terméket továbbadja, mellékelje hozzá a használati útmutatót is.

Tartalomjegyzék

1	Szimbólumok magyarázata	233
2	Biztonsági és beszerelési megjegyzések	234
3	Az útmutató célcsoportja	236
4	A csomag tartalma	236
5	Rendeltetésszerű használat	236
6	Jelölőmatricák	237
7	Szerelés	237
8	Hibaelhárítás	243
9	Ártalmatlanítás	244
10	Műszaki adatok	246

1 Szimbólumok magyarázata



FIGYELMEZTETÉS!

Biztonsági tudnivaló: Az utasítás figyelmen kívül hagyása halált vagy súlyos sérülést okozhat.



VIGYÁZAT!

Biztonsági tudnivaló: Az utasítás figyelmen kívül hagyása sérüléseket okozhat.



FIGYELEM!

Ha nem veszi figyelembe az információt, az anyagkárosodást eredményezhet, és káros kihatással lehet a termék működésére.



MEGJEGYZÉS

Kiegészítő információk a termék kezelésével kapcsolatosan.

2 Biztonsági és beszerelési megjegyzések

Vegye figyelembe a járműgyártó és a gépjárműszakma által előírt biztonsági megjegyzéseket és előírásokat!

A gyártó a bekövetkező károkért a következő esetekben nem vállal felelősséget:

- a termék mechanikai behatások és túlfeszültségek miatti sérülése
- a termék kifejezett gyártói engedély nélküli módosítása
- az útmutatóban leírt céloktól eltérő felhasználás

Elektromos készülékek használata előtt vegye figyelembe az alábbi alapvető biztonsági intézkedéseket az alábbi veszélyek elleni védelem érdekében:

- áramütés
- tűzveszély
- sérülések

2.1 A készülék kezelése



FIGYELMEZTETÉS!

- A tárolóládás klímaberendezés szerelését és javításait csak a kapcsolódó veszélyeket, illetve a vonatkozó előírásokat ismerő szakemberek végezhetik. Nem szakszerű javítások jelentős veszélyeket okozhatnak. Javítás esetén forduljon az illetékes szervizhez (a címek a hátoldalon találhatóak).
- **Az elektromos berendezések nem játékszerek!**
A gyermekek az elektromos készülékekből eredő veszélyeket nem tudják ténylegesen felmérni. Soha ne hagyja, hogy gyermekek felügyelet nélkül elektromos készülékeket használjanak.
- Azok a személyek, akik a készüléket fizikai, érzékszervi vagy szellemi képességeik miatt, illetve gyakorlatlanságuk vagy ismereteik hiányában nem képesek biztonságosan kezelni, csak felelős személy felügyelete mellett vagy utasításainak betartásával használhatják a készüléket.
- Tűz esetén csak a megengedett oltószert használja. Az oltáshoz ne használjon vizet.



VIGYÁZAT!

- A tárolóládás klímaberendezést úgy kell biztonságosan beszerelni, hogy ne billenessen el és ne eshessen le!
- A tárolóládás klímaberendezést csak akkor üzemeltesse, ha a ház és a vezetékek sérülésmentesek.
- Az tárolóládás klímaberendezést ne alkalmazza gyúlékony folyadékok vagy gázok közelében.
- Ügyeljen arra, hogy a levegő távozásának tartományában ne legyenek éghető tárgyak tárolva, illetve felszerelve. A távolság legalább 50 cm legyen.
- Ne nyúljon a levegő kilépőnyílásaiba és ne vezessen be idegen tárgyakat a berendezésbe.



FIGYELEM!

- A készüléket csak rendeltetésszerűen használja.
- A tárolóládás klímaberendezés nem használható mezőgazdasági vagy építőipari gépekben.
- Ne végezzen módosításokat vagy átépítéseket a készüléken.
- A berendezés hűtőközeg-körforgásában előforduló hibák esetén a berendezést szakcéggel kell ellenőriztetni és megfelelően kell üzembe helyezni. Tilos a hűtőközeget a légkörbe engedni.

2.2 Az elektromos vezetékek kezelése



FIGYELMEZTETÉS!

- Az elektromos csatlakoztatást csak jogosult szakcég végezheti.



VIGYÁZAT!

- A vezetékeket úgy rögzítse és úgy vezesse, hogy ne keletkezzen botlásveszély és a kábel ne sérülhessen meg.



FIGYELEM!

- Ha vezetékeket éles peremű falakon kell átvezetnie, akkor használjon üres csöveket, illetve vezetékátvezetőket!
- Ne vezessen laza vagy élesen megtört vezetékeket elektromosan vezető anyagokon (fém)!
- A vezetékekre ne fejtessen ki húzóerőt.

3 Az útmutató célcsoportja

Jelen útmutató műhelyek azon szakembereinek szól, akik ismerik az alkalmazandó irányelveket és biztonsági óvintézkedéseket.

4 A csomag tartalma

Szám 1. ábra	Mennyiség	Megnevezés
1	1	Tárolóládás klímaberendezés
2	1	Távírányító
3	1	Jelvevő
4	4	Légszűrő
5	2	Derékszögű rögzítőelem
6	4	Rögzítőkengyel
7	14	Rögzítőcsavar
8	2	Elvezetőcső
9	2	Külső rács
–	1	Telepítési sablon

5 Rendeltetésszerű használat

A Dometic FreshWell 3000 (cikkszám: 9105306670) padló-klímaberendezés kizárólag lakóautókhoz, lakókocsikhoz és egyéb, lakótérrel rendelkező járművekhez alkalmas. Házakhoz, vagy lakásokhoz **nem** alkalmas.

A tárolóládás klímaberendezés **nem** alkalmas építőipari gépekbe, mezőgazdasági gépekbe vagy hasonló munkaeszközökbe történő beépítésre. Túl erős rezgések esetén a megfelelő működés nincs biztosítva.

A FreshWell 3000 működése 0 °C és 52 °C közötti hőmérsékleten garantált.



MEGJEGYZÉS

A tárolóládás klímaberendezéssel kapcsolatos további információk (például a műszaki leírás vagy a kezelés) a kezelési útmutatóban található.

6 Jelölőmatricák

A Dometic FreshWell tárolóládás klímaberendezésen jelölőmatricák vannak elhelyezve. Ezek a jelölőmatricák a felhasználót és a szerelőt tájékoztatják a készülékspecifikációkról.

7 Szerelés



VIGYÁZAT! Sérülésveszély!

A tárolóládás klímaberendezés beszerelését kizárólag megfelelően képzett szakcégek végezhetik. A következő információk olyan szakembereknek szólnak, akik az alkalmazandó irányelveket és a biztonsági óvintézkedéseket ismerik.

7.1 Megjegyzések a szereléshez

A tárolóládás klímaberendezés beszerelése előtt jelen Szerelési útmutatót teljes mértékben el kell olvasni.

A tárolóládás klímaberendezés szerelése során a következő tippeket és megjegyzéseket kell figyelembe venni:



VESZÉLY! Figyelem – Áramütés általi életveszély!

A tárolóládás klímaberendezésen végzendő munkák előtt szakítsa meg az összes feszültségellátást.



VIGYÁZAT! Sérülésveszély!

- A klímaberendezés hibás szerelése a készülék javíthatatlan károsodását okozhatja és a felhasználó biztonságát veszélyeztetheti.
- A tárolóládás klímaberendezés nem jelen szerelési útmutatónak megfelelő szerelése esetén a gyártó sem üzemzavarokra, sem a tárolóládás klímaberendezés biztonságára, különösen nem a személyi sérülésekre és/vagy anyagi károkra vonatkozóan nem vállal semmilyen felelősséget.
- Valamennyi munkánál viselje az előírt védőruházatot (például védőszemüveget, védőkesztyűt).

**FIGYELEM! Sérülésveszély!**

A tárolóládás klímaberendezés beszerelése során mindig vegye figyelembe a jármű stabilitását és a beszerelés során keletkező nyílások tömítését.

Megjegyzések a szállításhoz

- A tárolóládás klímaberendezés mindig ketten vigyék.
- A mozgatáshoz mindig emelje meg és ne húzza a padlón a tárolóládás klímaberendezést (**2.** ábra **A**).
- A felemeléshez ne használja a szellőzőréseket (**2.** ábra **B**).

A felszerelés helyére vonatkozó tudnivalók

- A tárolóládás klímaberendezés telepítéséhez nyílásokat kell kialakítani a padlózatban. A nyílásoknak könnyen hozzáférhetőnek kell lenniük és a jármű szerkezeti elemei nem fedheti le ezeket.
- A tárolóládás klímaberendezés szerelése előtt ellenőrizze, hogy a tárolóládás klímaberendezés beépítése által nem sérülnek-e jármű alkatrészei (például lámpák, szekrények, ajtók).
- Ügyeljen arra, hogy a levegő távozásának tartományában ne legyenek éghető tárgyak tárolva, illetve felszerelve. A távolság legalább 50 cm legyen.
- A szerelési felület hajlásszöge nem lehet nagyobb 10°-nál.
- Biztonsági okok miatt a tárolóládás klímaberendezés beépítése során (fúrásnál, csavarozásnál stb.) ügyeljen a meglévő – különösen a nem látható – kábelkötegek, vezetékek és a szerelési tartományban lévő más részegységek elhelyezkedésére!
- A jármű optimális klimatizálása érdekében a tárolóládás klímaberendezést lehetőleg központi helyre, egy rekeszbe, vagy hasonló alkalmatosságba helyezze be.
- Olyan helyet válasszon, amely karbantartáskor és a készülék be-, és kiserelésékor könnyen hozzáférhető.
- Helyezze bele a telepítési sablont a kiválasztott rekeszbe és ellenőrizze, hogy elegendő hely áll-e rendelkezésre a padlón a nyílások számára.
- Az üzemelés közben a zajkeltés és rezgésátadás minimalizálása érdekében a tárolóládás klímaberendezés körül a falaktól és a bútoroktól számítva legalább 30 mm szabad helyet kell biztosítani.
- A készüléket a padlóra kell telepíteni.
- A szűrőcsere megkönnyítése érdekében a készülék első része és a rekesz oldala között hagyjon 200 mm távolságot.

- Ha a készüléket egy járművön kívül elhelyezkedő rekeszbe szereli be (pl. kettős padló), akkor a kezelésre szánt levegőt ki kell szívni a jármű belső részéből.
- A külső levegő beszívása jelentősen csökkentheti a berendezés teljesítményét.

Útmutatások az elektromos szerelvényekhez (lásd: **13.** ábra)

Szám 13. ábra	Megnevezés
1	Ventilátormotor (belső)
2	Ventilátormotor (külső)
3	Kondenzátor
4	Kompresszor
5	Hőmérséklet-érzékelő
6	Áramköri panel
7	Áramköri panel kijelzővel
8	PCB-port
9	Softstart (kíméletes indítás)
10	Szelep
11	Ellenállás

- A tárolóládás klímaberendezés bekötését kizárólag villanszerelő szakemberre bízza.
- Hasonlítsa össze a feszültségadatokat a típustáblán a rendelkezésre álló energia-ellátással.
- Ne vezesse a vezetékeket lazán, vagy elektromosan vezető anyagokon (fém) élesen megtörve.
- Szereljen be a szerelési oldalon egy legalább 3 mm-es érintkezőtávolsággal rendelkező többpólusú kapcsolót.

7.2 A nyílások beállítása

Lásd: **3.** ábra

- ▶ Rajzolja fel a nyílások helyzetét és méretét a csomagolásban lévő sablon segítségével (**A** és **B**).

Lásd: **4.** ábra

- ▶ Fúrja ki a sarkokat (**A**).
- ▶ Vágja ki óvatosan a nyílást a tetőn szűrőfűrész vagy hasonló eszköz segítségével (**B**).

Ennek során ügyeljen arra, hogy elektromos kábelek ne sérüljenek meg.

- ▶ Készítsen egy 32 mm átmérőjű furatot (**C**) a kondenzvíz elvezetésére.

Lásd: **5.** ábra

- ▶ Jelölje meg a derékszögű rögzítőelemek (**A**) és a rögzítőkengyelek (**B**) helyét.

7.3 A rögzítőkengyelek és hevederek rögzítése

Lásd: **6.** ábra

- ▶ Rögzítse a négy rögzítőkengyelt (**A**).
- ▶ Húzza át a hevedereket a rögzítőkengyeleken (**B**).
- ▶ A tárolóládás klímaberendezés alá szerelje fel az elvezetőcsöveket (**C**).
- ▶ A hevederekkel rögzítse a tárolóládás klímaberendezést (**D**).

7.4 A derékszögű rögzítőelemek rögzítése

Lásd: **7.** ábra

- ▶ Az ábrán látható módon a két derékszögű rögzítőelemmel és egyenként három csavarral rögzítse a tárolóládás klímaberendezést.

7.5 A külső rács rögzítése

Lásd: **8.** ábra

- ▶ A csomagban lévő csavarokkal és sínekkel az ábrán látható módon rögzítse a külső rácsot.

7.6 A jelvevő rögzítése

Lásd: **9.** ábra

- Fúrjon egy 50 mm átmérőjű nyílást a falba.

Lásd: **10.** ábra

- A kábeleket a nyíláson keresztül vezesse el a tárolóládás klímaberendezéshez.
- Az ábrán látható módon rögzítse a jelvevőt.

7.7 A csatlakozóvezetékek elhelyezése



VESZÉLY! Áramütés miatti életveszély!

Elektromos hajtású komponenseken végzendő munkák előtt biztosítani kell, hogy azok már ne álljanak feszültség alatt!

A tárolóládás klímaberendezés csak olyan áramkörre csatlakoztatható, amely képes a szükséges áram biztosítására (lásd: „Műszaki adatok” fej., 246. oldal).

- Válassza meg a vezeték hosszának megfelelő vezeték-keresztmetszetet:
 - Hossz < 7,5 m: 1,5 mm²
 - Hossz > 7,5 m: 2,5 mm²

Lásd: **11.** ábra

- A jelvevő 4-pólusú dugaszát csatlakoztassa a tárolóládás klímaberendezés IR-aljzatához **(1)**.
- A 230-V~ -dugaszt **(2)** csatlakoztassa egy 230-V~ -aljzathoz.

7.8 Légvezetés

Lásd: **12.** ábra

A kereskedelmi forgalomban kapható alkatrészekből építse ki a levegővezető csatornákat (ezeket a csomag **nem** tartalmazza). Azt javasoljuk, hogy az alumínium belső borítású és PVC-külső borítású klímaberendezésekhez használjon kartonpapír-csőveket. Ez ilyen csövek névleges belső átmérője 60 mm, külső átmérője pedig 65 mm legyen.

A szellőzőcsöveket a kilépő végükön készített kúpos furattal, összenyomással lehet csatlakoztatni.

A csöveket a regiszterkimenethez kell csatlakoztatni.

Az optimális teljesítmény érdekében a következőket javasoljuk:

- A levegővezetőket a lehető legrövidebbre és a legegyszerűsebbre készítse el.
- A csőhossz ne haladja meg az 5 m-t.
- Ne vezesse a csöveket hőforrások közelében

A környezeti levegőt a berendezés egy rácson, vagy más, legalább 300 cm² keresztmetszetű nyíláson kell hogy beszívja. A szellőzőnyílást a készülék közelében kell kialakítani. Amennyiben lehetséges, a levegőáramlást ne akadályozzák tárgyak; szükség esetén a nyílás és a készülék közé építsen be egy levegőcsatornát.



MEGJEGYZÉS

A páralecsapódás elkerülése érdekében a csöveket szigetelje le megfelelő szigetelőanyaggal (a csomag nem tartalmazza).

A környezeti levegőt a jármű belsejéből kell elszívni; külső levegő bevezetésekor a készülék teljesítménye csökkenhet.

8 Hibaelhárítás

Hiba	Ok	Elhárítás
Nincs hűtésteljesítmény	A tárolóládás klímaberendezés nincs beállítva hűtésre.	➤ Állítsa át a tárolóládás klímaberendezést hűtésre.
	A környezeti hőmérséklet 52 °C-nál magasabb.	A tárolóládás klímaberendezés csak legfeljebb 52 °C környezeti hőmérsékletig használható.
	A beállított hőmérséklet magasabb, mint a beltéri hőmérséklet.	➤ Válasszon alacsonyabb hőmérsékletet.
	A környezeti hőmérséklet 16 °C-nál alacsonyabb.	A tárolóládás klímaberendezés csak 16 °C környezeti hőmérséklet felett használható.
	A túlhevülés-védelem meghibásodott.	➤ Forduljon jogosult szakszervizhez.
	A kompresszor meghibásodott.	
	A hűtőközeg-töltet mennyisége nem elegendő.	
A hőcserélő regisztere elszennyeződött.		
A külső ventilátor meghibásodott.		
Nincs fűtési teljesítmény	A tárolóládás klímaberendezés nincs beállítva fűtésre.	➤ Állítsa át a tárolóládás klímaberendezést fűtésre.
	A környezeti hőmérséklet 0 °C alatt van.	A tárolóládás klímaberendezés csak 0 °C környezeti hőmérséklet felett használható.
	A beállított hőmérséklet alacsonyabb, mint a beltéri hőmérséklet.	➤ Válasszon magasabb hőmérsékletet.
	A környezeti hőmérséklet 31 °C-nál magasabb.	16 °C és 31 °C közötti hőmérséklet állítható be.
	A túlhevülés-védelem meghibásodott.	➤ Forduljon jogosult szakszervizhez.
	A kompresszor meghibásodott.	
	A hűtőközeg-töltet mennyisége nem elegendő.	
A hőcserélő regisztere elszennyeződött.		
A külső ventilátor meghibásodott.		
Nem megfelelő légteljesítmény	Eldugult a levegőszűrő.	➤ Tisztítsa meg a levegőszűrőt.
	A hőcserélő regisztere elszennyeződött.	➤ Forduljon jogosult szakszervizhez.
	A belső ventilátor meghibásodott.	

Hiba	Ok	Elhárítás
Víz szívárgása a járműbe	A kondenzvíz leeresztőnyílásai eldugultak.	➤ Tisztítsa meg a kondenzvíz leeresztőnyílásait.
	A tömítések megsérültek.	➤ Forduljon jogosult szakszervizhez.
A tárolóládás klímaberendezés nem kapcsol be	Nincs tápfeszültség (230 V~).	➤ Ellenőrizze a feszültségellátást.
	A feszültség túl alacsony (200 V~ alatt). A feszültségátalakító meghibásodott.	➤ Forduljon jogosult szakszervizhez.
	A túlhevülés-védelem meghibásodott.	
	A feszültségellátás elektromos biztosítéka túl kis értékű.	➤ Ellenőrizze a feszültségellátás elektromos biztosítékát.
A tárolóládás klímaberendezés üzemelése megszakad	Eldugult a levegőszűrő.	➤ Tisztítsa meg a levegőszűrőt.
	A feszültség túl alacsony (200 V~ alatt). A feszültségátalakító meghibásodott.	➤ Forduljon jogosult szakszervizhez.
	A túlhevülés-védelem meghibásodott.	
	A kondenzátorfűvő megsérült.	
	A hőcserélő regisztere elszennyeződött.	
	A külső ventilátor meghibásodott.	
A tárolóládás klímaberendezés nem kapcsol ki	A hőmérséklet-érzékelők egyike meghibásodott.	➤ Forduljon jogosult szakszervizhez.

9 Ártalmatlanítás

Környezetvédelmi előírások és szakszerű ártalmatlanítás

A szervezeteknek intézkedések olyan sorozatát kell alkalmazniuk, amelyek a szervezet tevékenységének (gyártás, termékek, szolgáltatás stb.) a környezetre való hatását felismeri, értékeli és ellenőrzi.

A környezetre való jelentős hatások felismerésére szolgáló követendő intézkedéseknek a következő tényezőket kell figyelembe venniük:

- nyersanyagok és természetes erőforrások használata
- légköri kibocsátások
- folyadékok környezetbe jutása

- ártalmatlanítás és újrahasznosítás
- talajszennyezés

A környezetre való hatás minimalizálása érdekében a gyártó az alábbiakban olyan jelzéseket alkalmaz, amelyeket a készüléssel annak élettartama során (bármely okból) tevékenységet végző minden személynek figyelembe kell vennie.

- A teljes csomagolóanyagot a helyi törvényi előírásoknak megfelelően kell ártalmatlanítani (illetve újrahasznosítani).
- Az összes termék-részegységet a helyi törvényi előírásoknak megfelelően kell ártalmatlanítani (illetve újrahasznosítani).
- A megfelelő ártalmatlanítás érdekében a készüléket erre jogosult újrahasznosító központnak kell átadni, amellyel biztosítható, hogy az összes visszaforgatható részegység újra lesz hasznosítva és a maradványanyagok kezelése előírászerűen történik.
- A beszerelés során biztosítsa a beltér megfelelő szellőzését, hogy megakadályozza a levegő elhasználódását, amely a kezelő egészségére káros lehet.
- Az üzemeltetés és a karbantartás során biztosítsa, hogy valamennyi káros hulladék (olaj, zsír stb.) ártalmatlanítása megfelelően történjen.
- A zajterhelés csökkentése érdekében tartsa alacsonyan a zajszintet.

A termékeink megfelelő leszerelésére vonatkozó további információk a www.dometic.com webhelyen található újrahasznosítási útmutatókban találhatók.

- A csomagolóanyagot lehetőleg a megfelelő újrahasznosítható hulladékokhoz tegye.
- Az üzemeltetés, valamint a javítások és karbantartás során ügyeljen arra, hogy a hűtési körforgás ne sérüljön meg és a hűtőközeg ne szivároghasson ki. Ez ugyanis üvegházhatást kiváltó anyag, amely nem kerülhet a környezetbe.



Ha végleg üzemem kívül akarja helyezni a terméket, akkor tájékozódjon a legközelebbi újrahasznosító központban vagy szakkereskedőjénél az ide vonatkozó ártalmatlanítási előírásokról.

- A terméket csak az érvényes újrahasznosítási vagy ártalmatlanítási előírásoknak megfelelően, jogosult ártalmatlanítási vállalatnál ártalmatlanítsa.



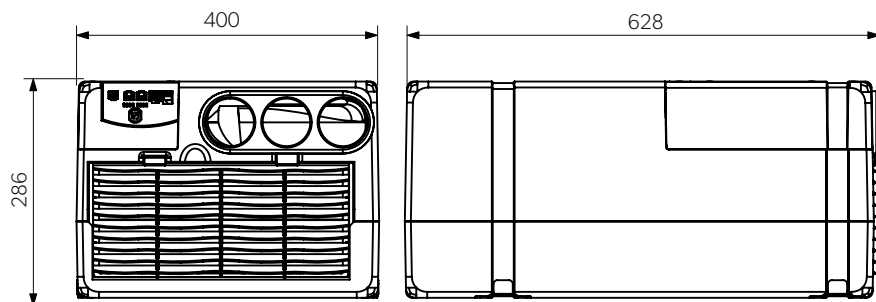
Védje környezetét!


Az akkumulátorok és elemek nem a háztartási hulladékba valók.

Adja le a meghibásodott akkumulátorokat vagy elhasznált elemeket a kereskedőnél vagy egy gyűjtőhelyen.

10 Műszaki adatok

	FreshWell 3000
Cikkszám:	9105306670
Hűtési teljesítmény ISO 5151 alapján:	2700 W
Fűtőteljesítmény:	3000 W (2500 W + 500 W kiegészítő fűtőelem)
Névleges bemeneti feszültség:	230 V~ / 50 Hz
Áramfelvétel:	Hűtés: 4,3 A Fűtés: 4,8 A
Szükséges biztosíték:	5 A
Üzemelési hőmérséklet-tartomány:	0 °C és +52 °C között
Hűtőközeg:	R-410A
Hűtőközeg mennyisége:	0,6 kg
CO ₂ -egyenérték:	1,2528 t
Üvegházpotenciál (GWP):	2088
Kiegészítő fűtőelem:	500 W
Fűvő:	3 fűvőfokozat 1 automatikus mód
Védettség:	IP X5
Jármű legnagyobb beltere (szigetelt falakkal):	30 m ³
Méreték (h x sz x m):	628 x 400 x 286 mm



	FreshWell 3000
Súly:	kb. 21 kg
Vizsgálat / tanúsítvány:	

Fluorozott üvegházgázokat tartalmaz

Hermetikusan zárt berendezés

GERMANY**Dometic WAECO International GmbH**

Hollefeldstraße 63 · D-48282 Emsdetten
 ☎ +49 (0) 2572 879-195 · 📠 +49 (0) 2572 879-322
 Mail: info@dometic-waeco.de

dometic.com**AUSTRALIA****Dometic Australia Pty. Ltd.**

1 John Duncan Court
 Varsity Lakes QLD 4227
 ☎ 1800 212121
 📠 +61 7 55076001
 Mail: sales@dometic.com.au

AUSTRIA**Dometic Austria GmbH**

Neudorferstraße 108
 A-2353 Guntramsdorf
 ☎ +43 2236 908070
 📠 +43 2236 90807060
 Mail: info@dometic.at

BENELUX**Dometic Branch Office Belgium**

Zincstraat 3
 B-1500 Halle
 ☎ +32 2 3598040
 📠 +32 2 3598050
 Mail: info@dometic.be

BRAZIL**Dometic DO Brasil LTDA**

Avenida Paulista 1754, conj. 111
 SP 01310-920 Sao Paulo
 ☎ +55 11 3251 3352
 📠 +55 11 3251 3362
 Mail: info@dometic.com.br

DENMARK**Dometic Denmark A/S**

Nordensvej 15, Taulov
 DK-7000 Fredericia
 ☎ +45 75585966
 📠 +45 75586307
 Mail: info@dometic.dk

FINLAND**Dometic Finland OY**

Mestariitie 4
 FIN-01730 Vantaa
 ☎ +358 20 7413220
 📠 +358 9 7593700
 Mail: info@dometic.fi

FRANCE**Dometic SAS**

ZA du Pré de la Dame Jeanne
 B.P. 5
 F-60128 Pleilly
 ☎ +33 3 44633525
 📠 +33 3 44633518
 Mail: vehiculesdeloisirs@dometic.fr

HONG KONG**Dometic Group Asia Pacific**

Suites 2207-11 / 22/F - Tower 1
 The Gateway - 25 Canton Road,
 Tsim Sha Tsui - Kowloon
 ☎ +852 2 4611386
 📠 +852 2 4665553
 Mail: info@waeco.com.hk

HUNGARY**Dometic Zrt. Sales Office**

Kerekgyártó u. 5.
 H-1147 Budapest
 ☎ +36 1 468 4400
 📠 +36 1 468 4401
 Mail: budapest@dometic.hu

ITALY**Dometic Italy S.r.l.**

Via Virgilio, 3
 I-47122 Forlì (FC)
 ☎ +39 0543 754901
 📠 +39 0543 754983
 Mail: vendite@dometic.it

JAPAN**Dometic KK**

Maekawa-Shibaura, Bldg. 2
 2-13-9 Shibaura Minato-ku
 Tokyo 108-0023
 ☎ +81 3 5445 3333
 📠 +81 3 5445 3339
 Mail: info@dometic.jp

MEXICO**Dometic Mx, S. de R. L. de C. V.**

Circuito Médicos No. 6 Local 1
 Colonia Ciudad Satélite
 CP 53100 Naucalpan de Juárez
 Estado de México
 ☎ +52 55 5374 4108
 📠 +52 55 5393 4683
 Mail: info@dometic.com.mx

NETHERLANDS**Dometic Benelux B.V.**

Ecustraet 3
 NL-4879 NP Etten-Leur
 ☎ +31 76 5029000
 📠 +31 76 5029019
 Mail: info@dometic.nl

NEW ZEALAND**Dometic New Zealand Ltd.**

PO Box 12011
 Penrose
 Auckland 1642
 ☎ +64 9 622 1490
 📠 +64 9 622 1573
 Mail: customerservices@dometic.co.nz

NORWAY**Dometic Norway AS**

Østerøyveien 46
 N-3232 Sandefjord
 ☎ +47 33428450
 📠 +47 33428459
 Mail: firmapost@dometic.no

POLAND**Dometic Poland Sp. z o.o.**

Ul. Puławska 435A
 PL-02-801 Warszawa
 ☎ +48 22 414 3200
 📠 +48 22 414 3201
 Mail: info@dometic.pl

PORTUGAL**Dometic Spain, S.L.**

Branch Office em Portugal
 Rot. de São Gonçalo nº 1 - Esc. 12
 2775-399 Carcavelos
 ☎ +351 219 244 173
 📠 +351 219 243 206
 Mail: info@dometic.pt

RUSSIA**Dometic RUS LLC**

Komsomolskaya square 6-1
 RU-107140 Moscow
 ☎ +7 495 780 79 39
 📠 +7 495 916 56 53
 Mail: info@dometic.ru

SINGAPORE**Dometic Pte Ltd**

18 Boon Lay Way 06-140 Trade Hub 21
 Singapore 609966
 ☎ +65 6795 3177
 📠 +65 6862 6620
 Mail: dometic@dometic.com.sg

SLOVAKIA**Dometic Slovakia s.r.o. Sales Office Bratislava**

Nádražná 34/A
 900 28 Ivanka pri Dunaji
 ☎/📠 +421 2 45 529 680
 Mail: bratislava@dometic.com

SOUTH AFRICA**Dometic (Pty) Ltd.****Regional Office****South Africa & Sub-Saharan Africa**

2 Avalon Road
 West Lake View Ext 11
 Modderfontein 1645
 Johannesburg
 ☎ +27 11 4504978
 📠 +27 11 4504976
 Mail: info@dometic.co.za

SPAIN**Dometic Spain S.L.**

Avda. Sierra del Guadarrama, 16
 E-28691 Villanueva de la Cañada
 Madrid
 ☎ +34 91 833 60 89
 📠 +34 900 100 245
 Mail: info@dometic.es

SWEDEN**Dometic Scandinavia AB**

Gustaf Melins gata 7
 S-42131 Västra Frölunda
 ☎ +46 31 7341100
 📠 +46 31 7341101
 Mail: info@dometicgroup.se

SWITZERLAND**Dometic Switzerland AG**

Riedackerstrasse 7a
 CH-8153 Rümlang
 ☎ +41 44 8187171
 📠 +41 44 8187191
 Mail: info@dometic.ch

UNITED ARAB EMIRATES**Dometic Middle East FZCO**

P. O. Box 17860
 S-D 6, Jebel Ali Freezone
 Dubai
 ☎ +971 4 883 3858
 📠 +971 4 883 3868
 Mail: info@dometic.ae

UNITED KINGDOM**Dometic UK Ltd.**

Dometic House, The Brewery
 Blandford St. Mary
 Dorset DT11 9LS
 ☎ +44 344 626 0133
 📠 +44 344 626 0143
 Mail: customerservices@dometic.co.uk

USA**Dometic RV Division**

1120 North Main Street
 Elkhart, IN 46515
 ☎ +1 574-264-2131